

STUDIO CLASSIC

Studio Classic fits perfectly into functional designed surroundings, and with its slim shape it underlines the appearance of glass interior doors.

Lock Studio Classic

24 – 27

Hinges

28

Sets of levers

29

Frame pivots

35

Strike plates / Profile cylinder

35

Applications

36 – 37

Special hinges

62 – 64

Door rails

65 – 67

Door bolts / Accessories

67 – 68

Mounting of door closers

69 – 70

Finishes and colours

71



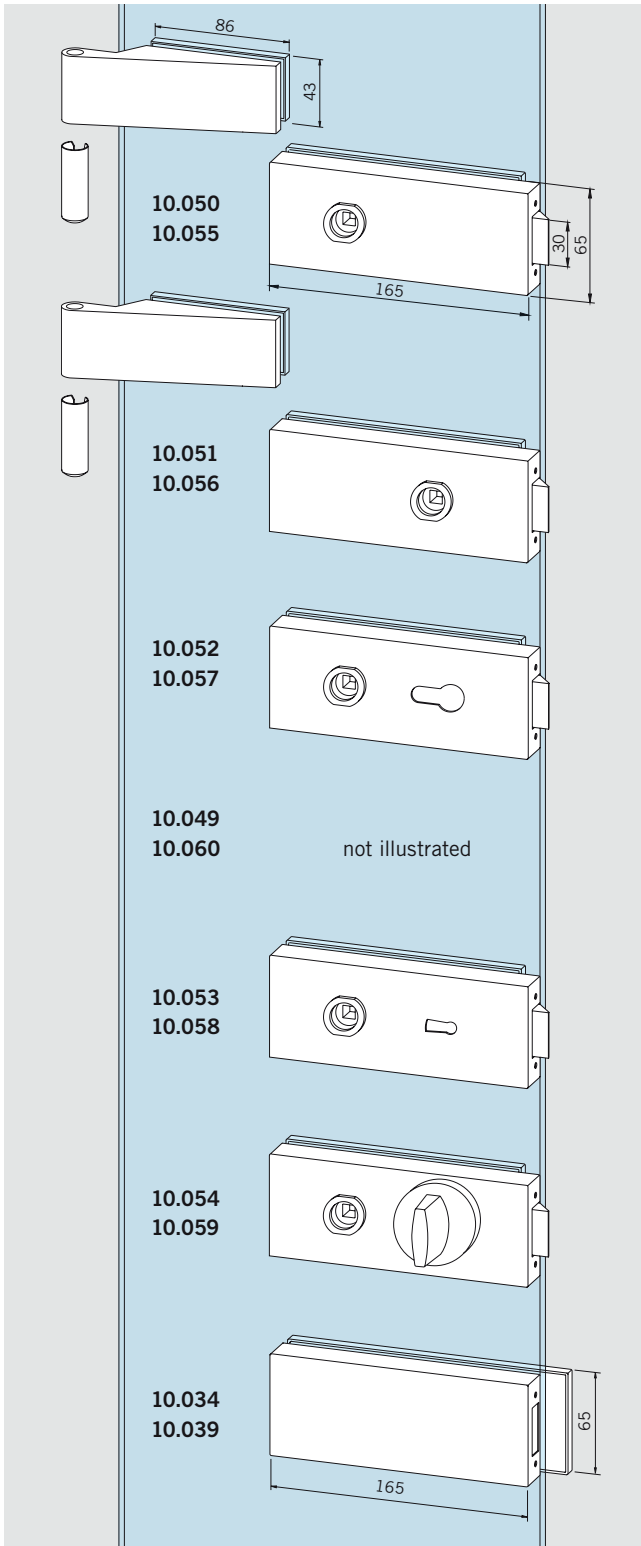
COMPLETE DOORSETS FOR 8 AND 10 MM GLASS THICKNESS, LOCKS WITH FOLLOWER

Locks acc. to DIN 18251, class 3, according to type testing (see page 4 – 5).

Door weight max. 45 kg, door width max. 1000 mm.

Rebate depth 24 mm (for 8 mm glass thickness),
26 mm (for 10 mm glass thickness)

Prepared for all levers without roses with 8 mm square spindles, spindle length for 44 mm lock thickness and 18 mm Ø follower, max. 8 mm long.



Lock with 2 hinges,
non-locking lock,
hinges with sleeves

8 mm glass thickness

Art. No. 10.050

10 mm glass thickness

Art. No. 10.055

Weight in kg: alumin. 1.580

Lock with 2 hinges,
non-locking lock with
follower forward,
hinges with sleeves

8 mm glass thickness

Art. No. 10.051

10 mm glass thickness

Art. No. 10.056

Weight in kg: alumin. 1.625

Lock with 2 hinges,
lock prepared for Europrofile
cylinder, nightlatch function,
hinges with sleeves

8 mm glass thickness

Art. No. 10.052

10 mm glass thickness

Art. No. 10.057

Weight in kg: alumin. 1.565

Lock with 2 hinges,
lock prepared for KABA,
nightlatch function,
hinges with sleeves

8 mm glass thickness

Art. No. 10.049

10 mm glass thickness

Art. No. 10.060

Weight in kg: alumin. 1.563

Lock with 2 hinges,
lever lock, nightlatch function,
2 keys supplied,
hinges with sleeves

8 mm glass thickness

Art. No. 10.053

10 mm glass thickness

Art. No. 10.058

Weight in kg: alumin. 1.630

Lock with 2 hinges,
WC-toilet door,
hinges with sleeves

8 mm glass thickness

Art. No. 10.054

10 mm glass thickness

Art. No. 10.059

Weight in kg: alumin. 1.721

Strike box with 2 hinges,
for pairs of doors,
hinges with sleeves

8 mm glass thickness

Art. No. 10.034

10 mm glass thickness

Art. No. 10.039

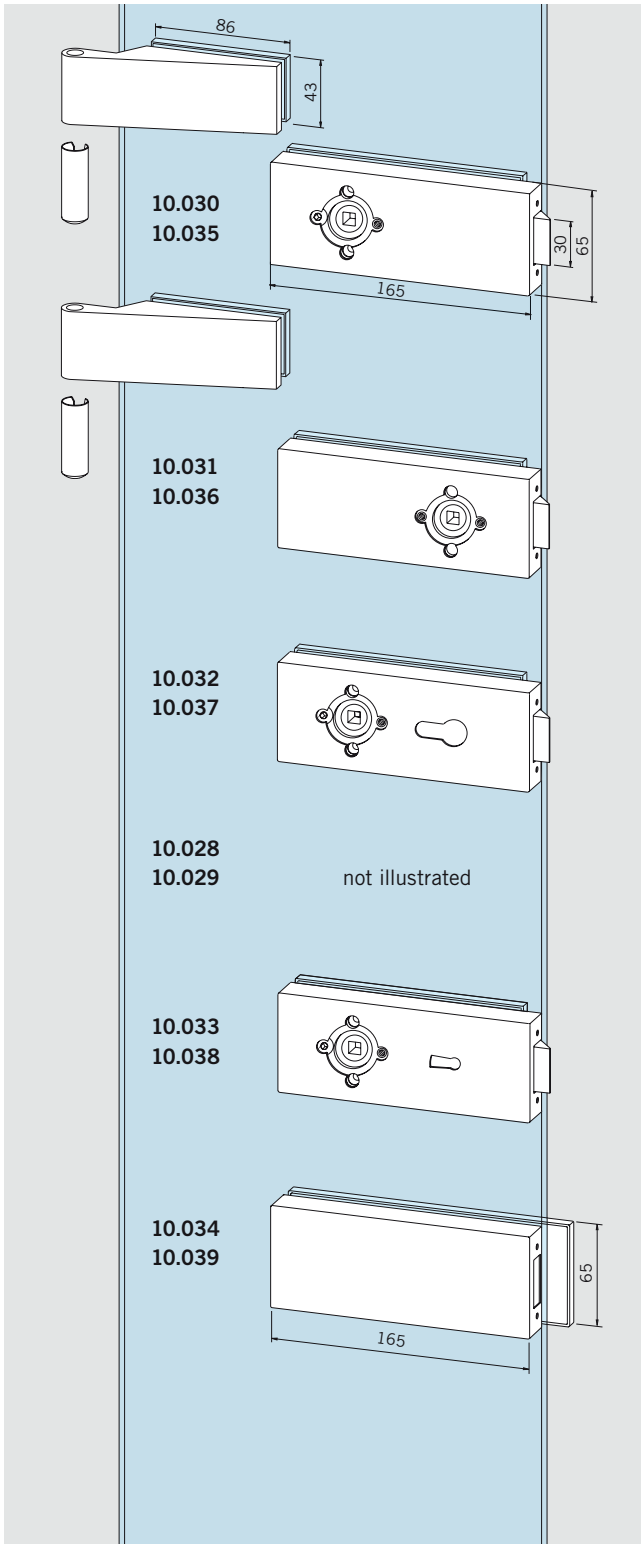
Weight in kg: alumin. 1.380

COMPLETE DOORSETS FOR 8 AND 10 MM GLASS THICKNESS, LOCKS FOR LEVERS WITH ROSES

Locks acc. to DIN 18251, class 3, according to type testing
(see page 4 – 5).

Door weight max. 45 kg, door width max. 1000 mm.

Rebate depth 24 mm (for 8 mm glass thickness),
26 mm (for 10 mm glass thickness)



Lock with 2 hinges,
non-locking lock,
hinges with sleeves

8 mm glass thickness

Art. No. 10.030

10 mm glass thickness

Art. No. 10.035

Weight in kg: alumin. 1.580

Lock with 2 hinges,
non-locking lock
for lever forward,
hinges with sleeves

8 mm glass thickness

Art. No. 10.031

10 mm glass thickness

Art. No. 10.036

Weight in kg: alumin. 1.585

Lock with 2 hinges,
lock prepared for Europrofile
cylinder, nightlatch function,
hinges with sleeves

8 mm glass thickness

Art. No. 10.032

10 mm glass thickness

Art. No. 10.037

Weight in kg: alumin. 1.565

Lock with 2 hinges,
lock prepared for KABA,
nightlatch function,
hinges with sleeves

8 mm glass thickness

Art. No. 10.028

10 mm glass thickness

Art. No. 10.029

Weight in kg: alumin. 1.563

Lock with 2 hinges,
lever lock, nightlatch
function, 2 keys supplied, hin-
ges with sleeves

8 mm glass thickness

Art. No. 10.033

10 mm glass thickness

Art. No. 10.038

Weight in kg: alumin. 1.575

Strike box with 2 hinges,
for pairs of doors,
hinges with sleeves

8 mm glass thickness

Art. No. 10.034

10 mm glass thickness

Art. No. 10.039

Weight in kg: alumin. 1.380

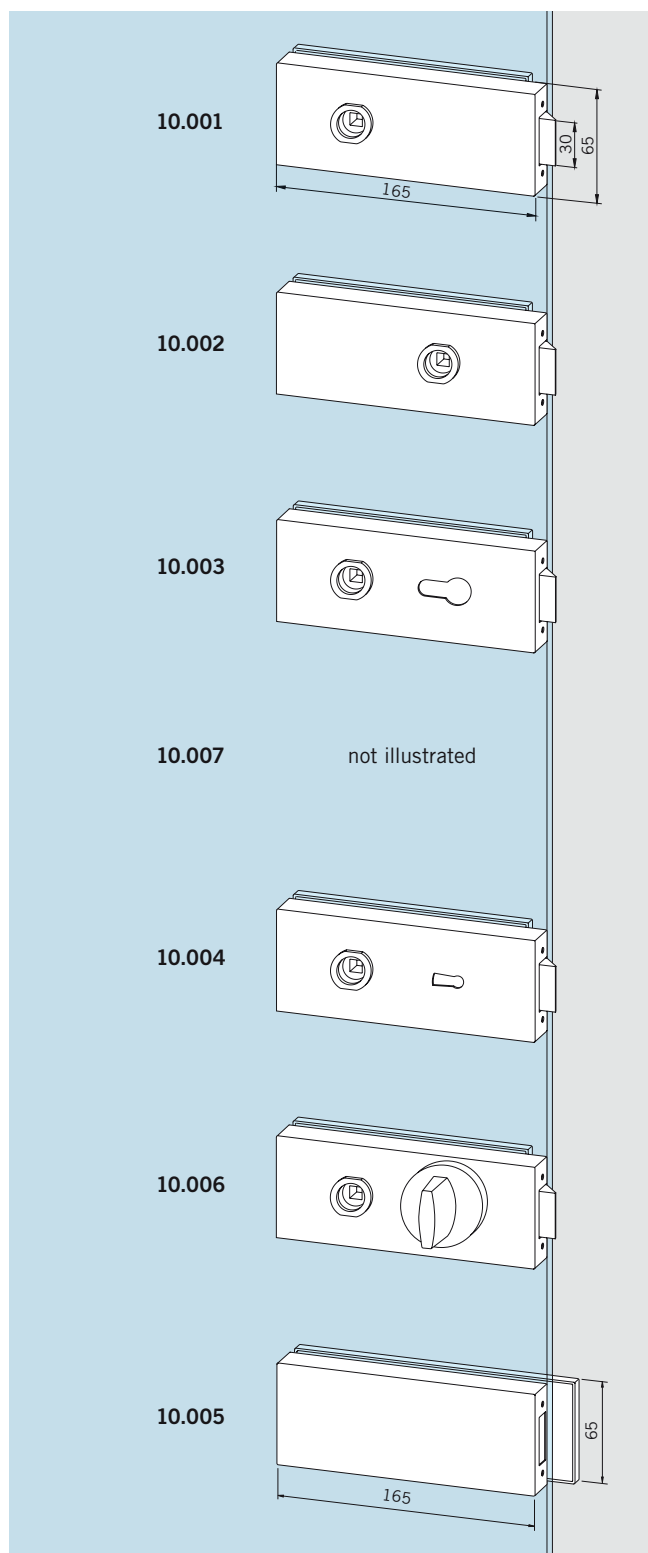
LOCKS WITH FOLLOWER

According to DIN 18251, class 3, according to type testing (see page 4 – 5)

Locks for 8 mm glass thickness / 24 mm rebate depth,
10 mm glass thickness / 26 mm rebate depth resp.

Prepared for all levers without roses with 8 mm square spindles, spindle length for 44 mm lock thickness and 18 mm Ø follower, max. 8 mm long.

Hinges see page 28.



Lock,
non-locking,

Art. No. 10.001
Weight in kg: alumin. 0.840

Lock,
non-locking, with follower
forward

Art. No. 10.002
Weight in kg: alumin. 0.845

Lock,
prepared for Europrofile
cylinder, nightlatch function

Art. No. 10.003
Weight in kg: alumin. 0.815

Lock,
prepared for KABA, nightlatch
function

Art. No. 10.207
Weight in kg: alumin. 0.813

Lock,
lever lock, nightlatch function,
2 keys supplied

Art. No. 10.004
Weight in kg: alumin. 0.850

Lock,
WC-toilet door

Art. No. 10.006
Weight in kg: alumin. 1.111

Strike box,
for pairs of doors

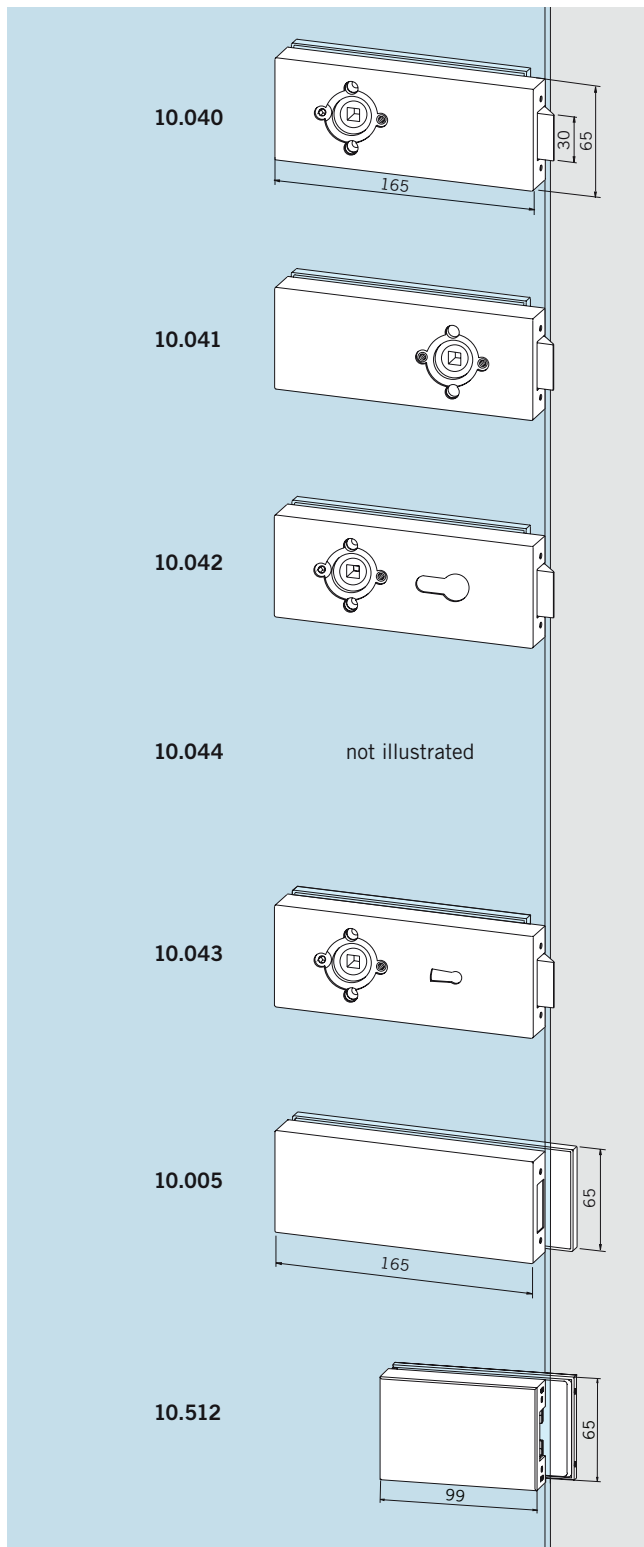
Art. No. 10.005
Weight in kg: alumin. 0.610

LOCKS FOR LEVERS WITH ROSES

According to DIN 18251, class 3, according to type testing
(see page 4 – 5)

Hinges see page 28.

Locks for 8 mm glass thickness / 24 mm rebate depth,
10 mm glass thickness / 26 mm rebate depth resp.



Lock,
non-locking,

Art. No. 10.040
Weight in kg: alumin. 1.580

Lock,
non-locking, with follower
forward

Art. No. 10.041
Weight in kg: alumin. 0.845

Lock,
prepared for Europrofile
cylinder, nightlatch function

Art. No. 10.042
Weight in kg: alumin. 0.815

Lock,
prepared for KABA, nightlatch
function

Art. No. 10.044
Weight in kg: alumin. 0.813

Lock,
lever lock, nightlatch function,
2 keys supplied

Art. No. 10.043
Weight in kg: alumin. 0.850

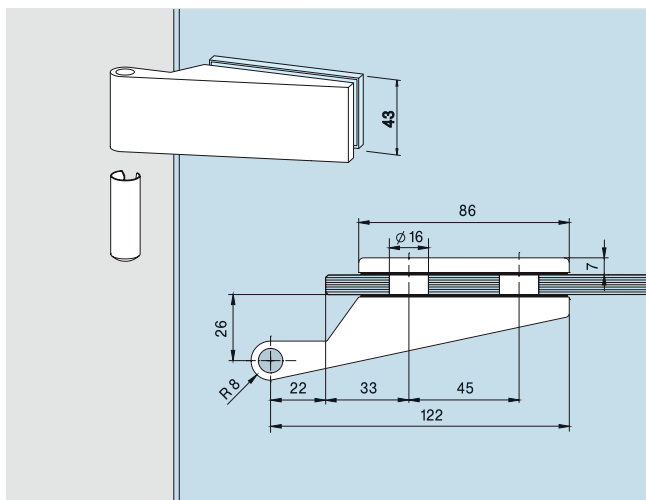
Strike box,
for pairs of doors

Art. No. 10.005
Weight in kg: alumin. 0.610

Strike box short
for pairs of doors

Art. No. 10.512
Weight in kg: alumin. 0.610

HINGES FOR 8 MM AND 10 MM GLASS THICKNESS



Hinge with frame pivot,
complete with sleeve

for 8 mm glass thickness,
24 mm rebate depth

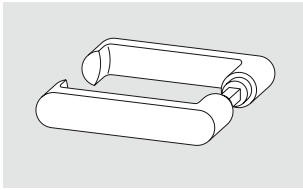
Art. No. 10.021

for 10 mm glass thickness,
26 mm rebate depth

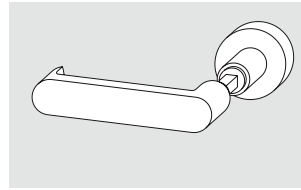
Art. No. 10.020

Weight in kg: alumin. 0.319

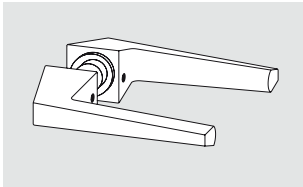
SETS OF LEVERS FOR LOCKS WITH FOLLOWER



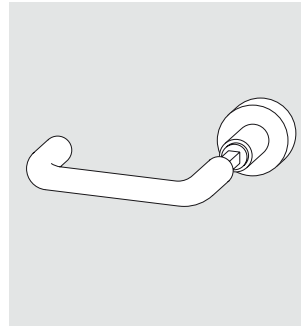
Set of levers,
with flat hand part, extended
colour options
Art. No. 10.314
Weight in kg: alumin. 0.290
brass 0.760



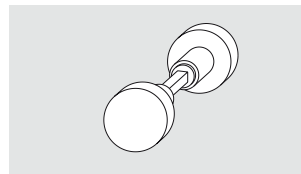
Lever and knob set,
lever with flat hand part, fixed
knob, for use with nightlatch
function locks
Art. No. 10.304
Weight in kg: alumin. 0.270



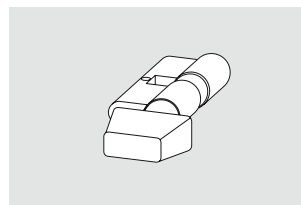
Set of levers,
with angular hand part
Art. No. 10.010
Weight in kg: alumin. 0.392



Lever and knob set,
tubular lever with free
turning knob
(turning without function)
Art. No. 10.316
Weight in kg: alumin. 0.335



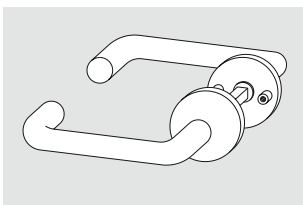
Lever and knob set,
tubular lever with turning knob
Art. No. 10.317
Weight in kg: alumin. 0.345



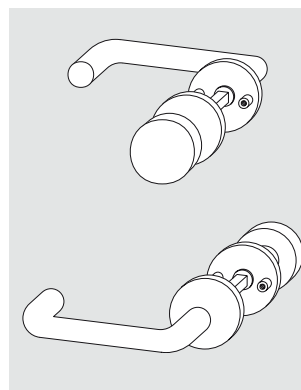
Set of knobs, turning knob
Art. No. 10.305
Weight in kg: alumin. 0.255

Thumbturn cylinders (WC),
for locks prepared for
Europrofile cylinder,
thumbturn in aluminium,
extended colour options
Art. No. 10.310
Weight in kg: 0.225

SETS OF LEVERS FOR LOCKS PREPARED FOR LEVERS WITH ROSES



Set of levers,
tubular, with roses
Art. No. 10.307
Weight in kg: alumin. 0.320



Lever and knob set,
tubular lever with fixed knob,
with roses
Art. No. 10.318
Weight in kg: alumin. 0.400

Lever and knob set,
tubular lever with knob,
with roses
Art. No. 10.319
Weight in kg: alumin. 0.400

Further sets of levers see pages 34, 43, 51.