

# Square Glass Door Lock With Magnetic Strike Plate Assembly Installation Instructions

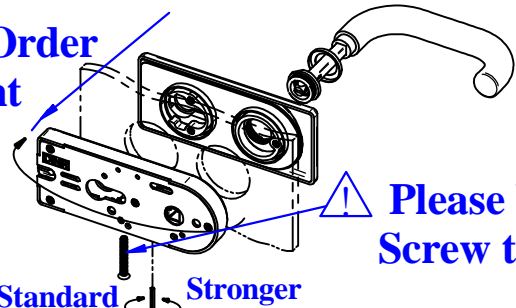
## OZ-MGL-11S (Magnetic Lock)

### How To Change The Right To Left :

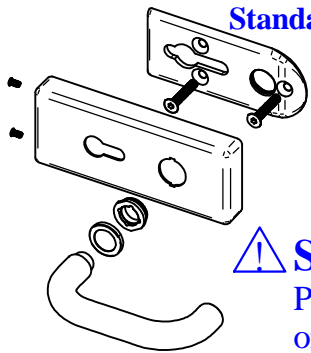
(Right Hand Shown)

\* Only turning the locks 180 degree as shown

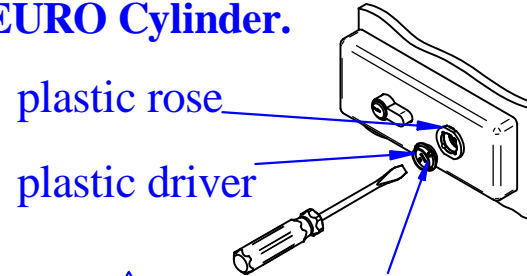
⚠ **Standard Order is DIN Right**



⚠ **Please Use Only M5x35 mm Screw to Fix EURO Cylinder.**

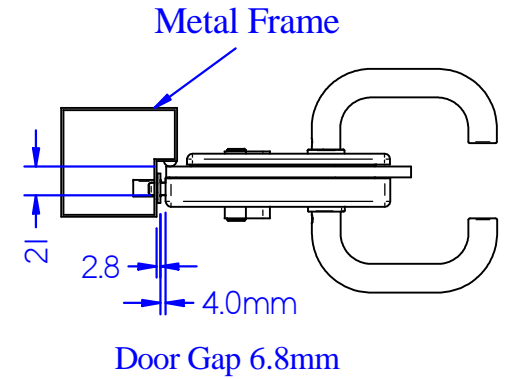
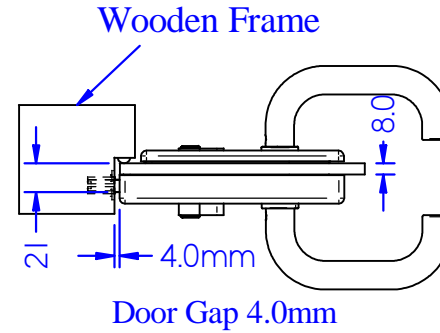


⚠ **Spring Tension Adjustment Screw.**  
Please adjust only when handle can't return to original position caused by really heavy handle

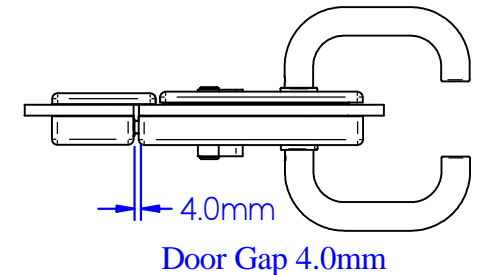


⚠ **Please must use plastic driver to tighten the plastic rose firmly on the cover**

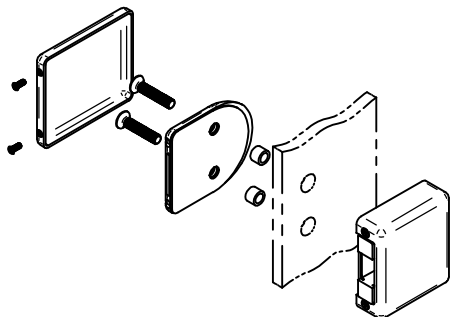
## Glass Door To Wooden Frame or Metal Frame



## Glass Door To Side Fixed Panel

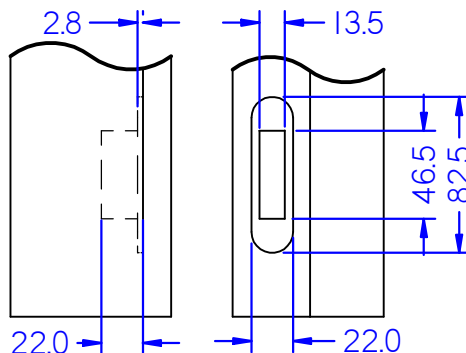


## OZ-MGL-11/22 S-SB1 (Magnetic Strike Box)

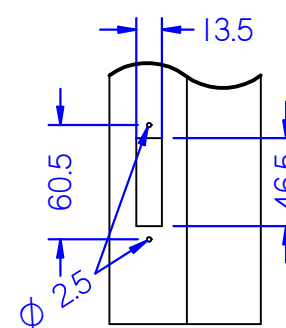


## OZ-MGL-11/22 S-SP1 (Magnetic Strike Plate)

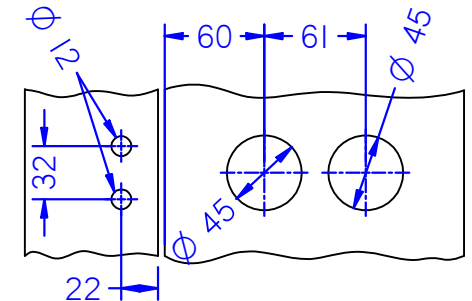
### Wooden Frame Cutout



### Metal Frame Cutout



## Size of Glass Cutout (OZ-MGL-11/22 S-SB1 & OZ-MGL-11S)



Patent Applied