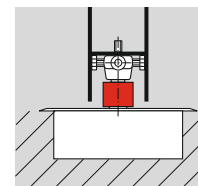


Floor springs for double action doors

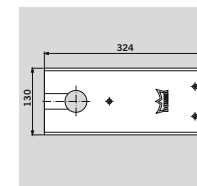
Specially designed for the movement patterns of double action doors, the DORMA BTS 84 can be easily adapted to individual requirements. With an installation depth of just 40 mm, it offers the particular advantage of only requiring a shallow pocket, thus enabling problem-free installation.

The wide-ranging choice of accessories ensures adaptability to the most varied floor constructions and flooring materials. The BTS 84 without hold-open carries the **CE** mark.



Extended spindle inserts

Replacement spindles can be used to increase the floor clearance when required. Ideal where doors are provided with thresholds or operate over carpet-covered floors. Available in lengths from 5 mm to 50 mm.



Cover plate

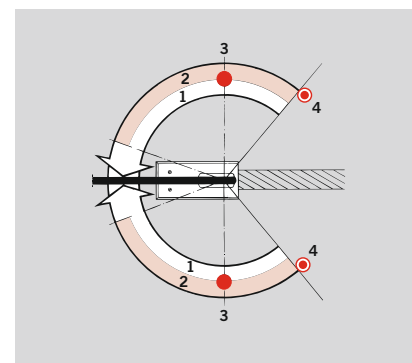
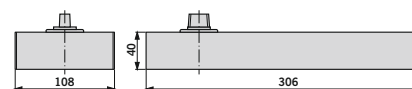
Available in stainless steel or satin-brushed brass.

Data and features	BTS 84		
	EN 2	EN 3	EN 4
Closing force			
Standard doors	●	–	–
and external doors ^{1) 2)}	–	●	–
≤ 850 mm			
≤ 950 mm	–	–	●
≤ 1100 mm			
Closing speed adjustable by valve	●	●	●
Constant hold-open at 90°	○	○	○
Floor spring compliant with EN 1154	●	●	●
CE mark (not valid for BTS 84 with hold-open)	●	●	●

● yes – no ○ optional

¹⁾ For particularly high and heavy doors and also doors that constantly have to close against wind pressure, select the floor spring in the next highest size or the DORMA BTS 80.

²⁾ Max. opening angle 130°. In the case of doors that can open beyond 130°, install a door stop.



DORMA BTS 84

- Max. door weight: 100 kg
- Closing force optionally EN 2, 3, 4
- Adjustable closing speed (1)
- Second adjustable closing range approx. 130 to approx. 20° (2)
- Constant hold-open, approx. 90°, optional (3)
- Max. door opening angle: approx. 130°
- Door stop OGRO TZ 5000 (4)

For specification texts, see page 288 ff.