



Door Closer

# DORMA TS 72

# The ideal solution for doors up to 1100mm wide – tested and approved to EN 1154

The DORMA TS 72 is the ideal multi-purpose door closer for all standard door designs and constructions. Without a backplate, it is particularly easy and quick to fix. The spring strength can be individually adapted to the door size by means of an

allen key ensuring optimum performance in every situation.

Quality assured manufacture to DIN ISO 9001, EN 29001, BS5750. Certified and verified by BSI Quality Assurance Reg.-No. Q 6423, FM 10756



## Benefits

- For the trade**
- Just one model for all standard doors.
  - Increased stocking flexibility thanks to use of the standard ClassicLine series arm.

- For the installer/fabricator**
- Non-handed design.
  - Closing force, closing speed and latching action adjustable in just a few movements.

- For the architect/specifier**
- Outstanding value for money.
  - Compact construction combined with timeless design.

- For the user**
- Constant closing action virtually unaffected by temperature fluctuations.
  - Optimum closing speed adjustment with two regulating valves.
  - Reliable closing with adjustable latching action.
  - Optimum wall and door protection thanks to "thinking" backcheck on TS 72 VBC.

## F Approval Certification

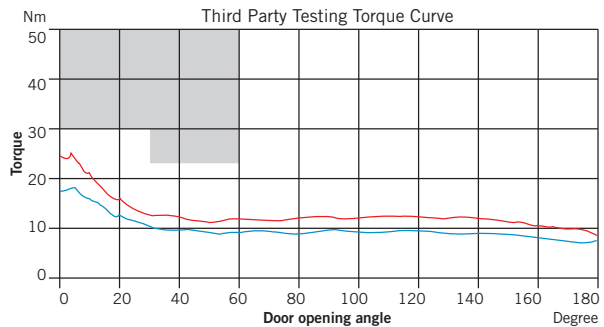
The DORMA TS 72 V / TS 72 VBC is CERTIFIRE approved (Certificate No. CF 268) for door types ITT 120 MM/IMM 240



Data and features		TS 72 V	TS 72 VBC
Spring strength adjustable	Size	EN 2-4	EN 2-4
Standard doors	<1100mm <sup>1)</sup>	●	●
External doors, outward opening		–	–
Fire doors		●	●
Non-handed		●	●
Arm type	Standard	●	●
	Slide channel	–	–
Closing speed adjustable at 2 separate valves	180° - 15°	●	●
	15° - 0°	●	●
Latching action adjustable (by arm)		●	●
Backcheck		–	●
Delayed action		–	–
Hold-open		○	○
Weight in kg		1.2	1.2
Dimensions in mm	Length	232	232
	Overall depth	45	45
	Height	68	68
Door closer tested and approved to EN1154		●	●

● Yes – No ○ Option

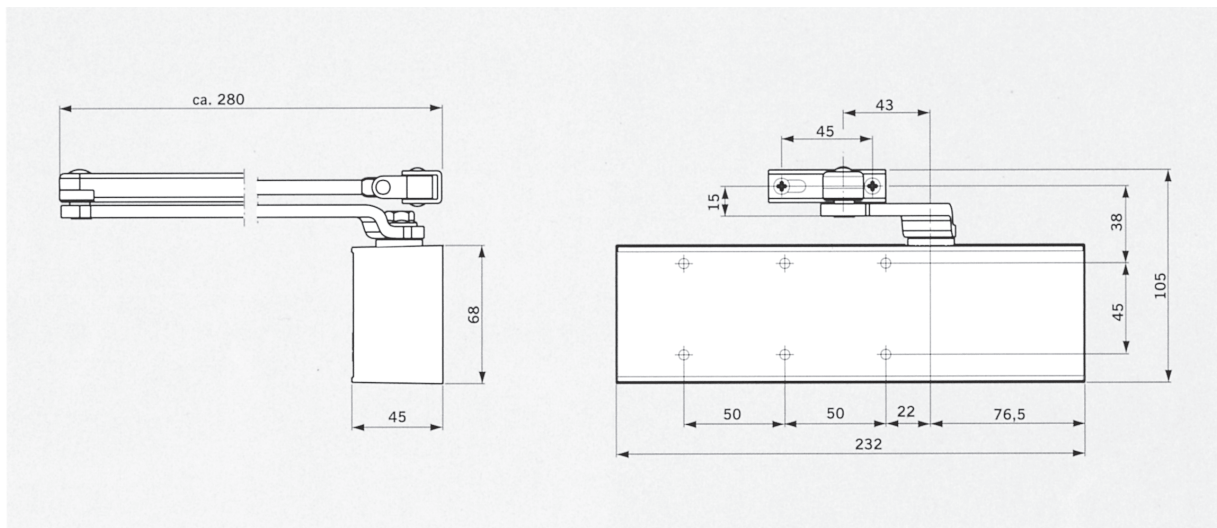
1) With parallel-arm fixing, the closing force is approx. 20Nm (for doors up to 950mm)



### Controlled door closing device EN 1154

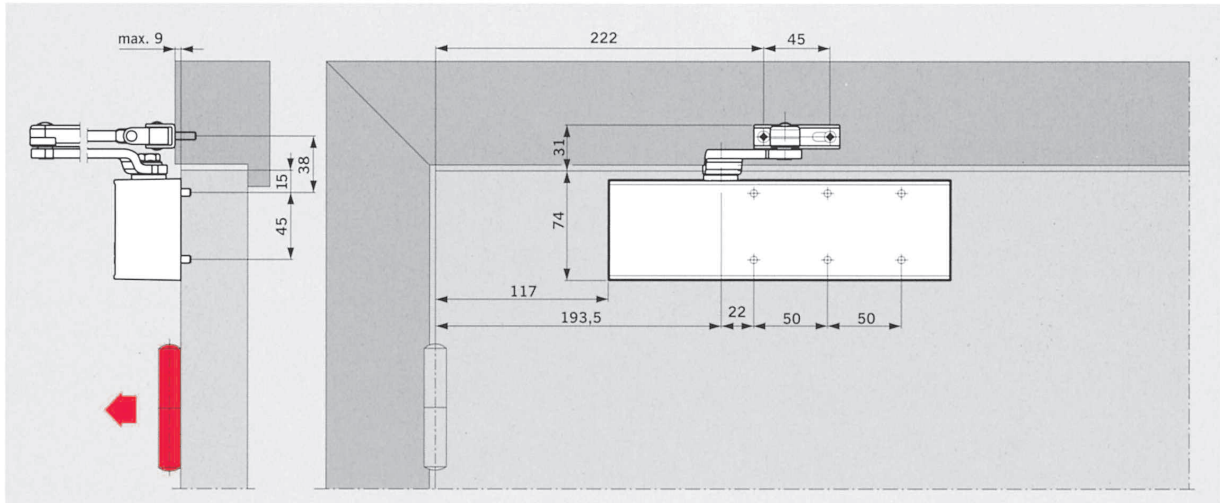
Manufacturer: DORMA  
Model: TS 72 EN2-4 BC  
Sample: B 1  
Size: 3  
5000 cycles

Standard installation  
*Heins*  
08.08.08



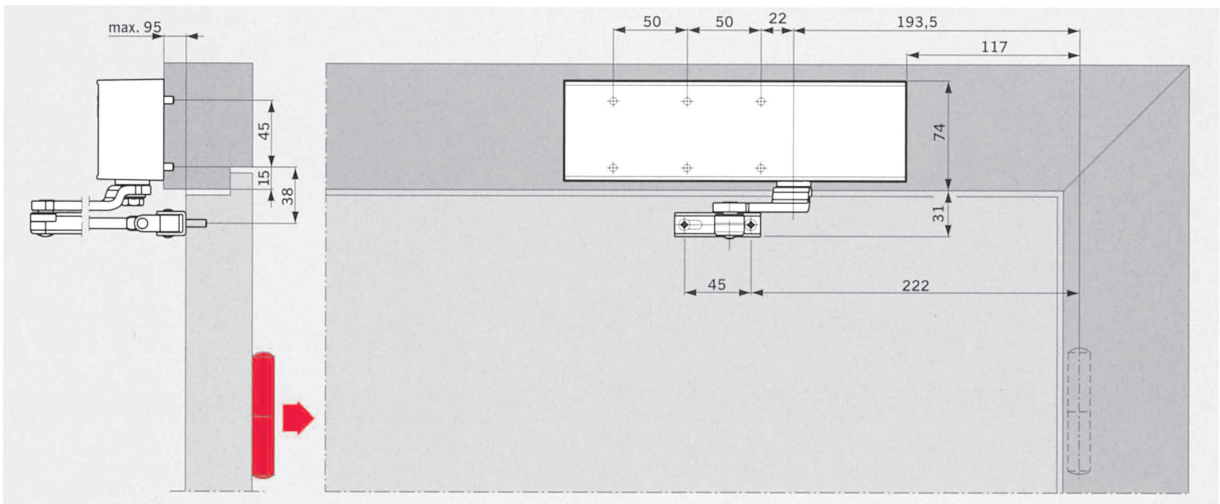
## Door leaf fixing, pull side

(Example refers to left-hand [ISO 6] door; mirror image applies to right-hand [ISO 5] door)



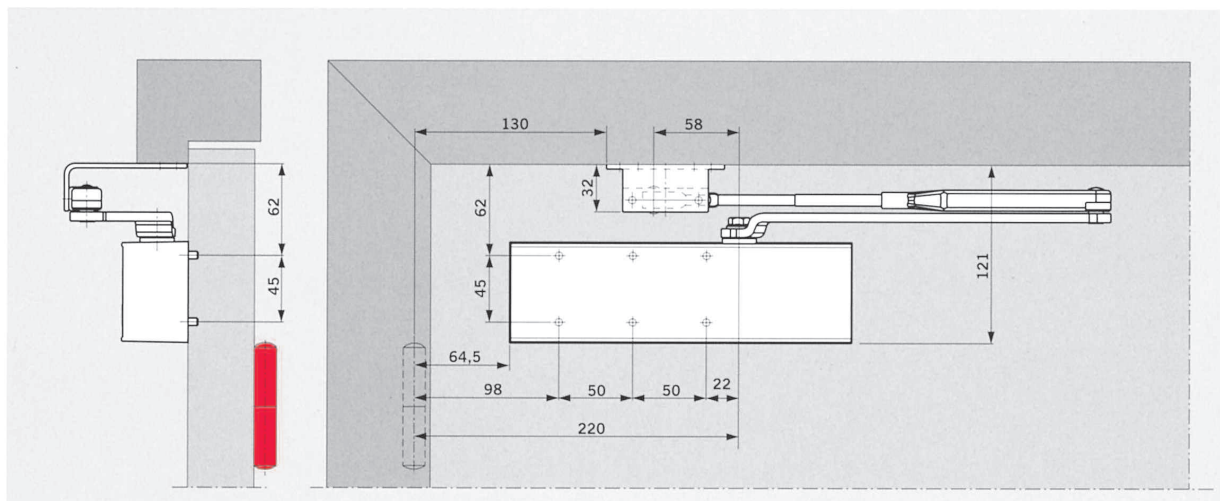
## Transom fixing (overhead frame installation), push side

(Example refers to left-hand [ISO 6] door; mirror image applies to right-hand [ISO 5] door)



## Parallel-arm fixing, push side

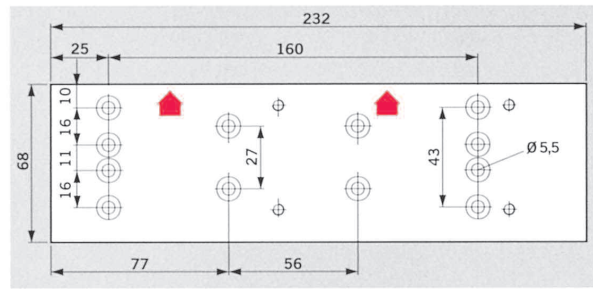
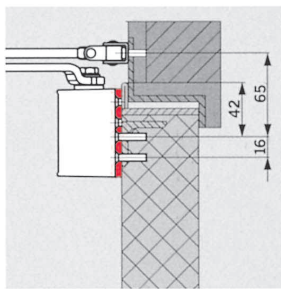
(Example refers to left-hand [ISO 6] door; mirror image applies to right-hand [ISO 5] door) Parallel-arm bracket (accessory) necessary



With this fixing method, the closing force is approx. 20 Nm (for doors up to 950mm)

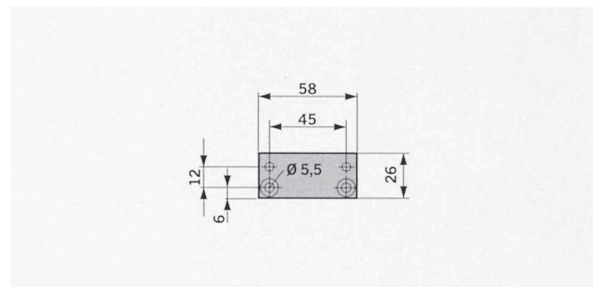
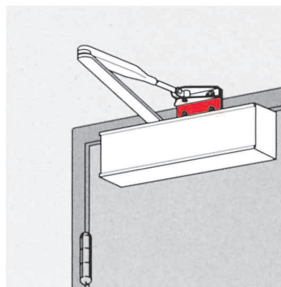
**Mounting backplate**

For fixing to doors on which the closer cannot be directly installed. Drilled hole pattern as per EN 1154, Supplement 1.



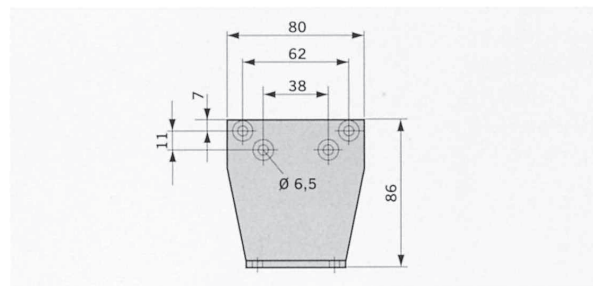
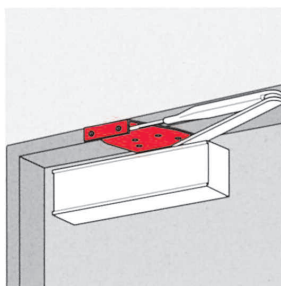
**Upstand hinge bracket**

For fixing the arm to particularly narrow door frames.



**Fixing bracket**

For the parallel-arm configuration.



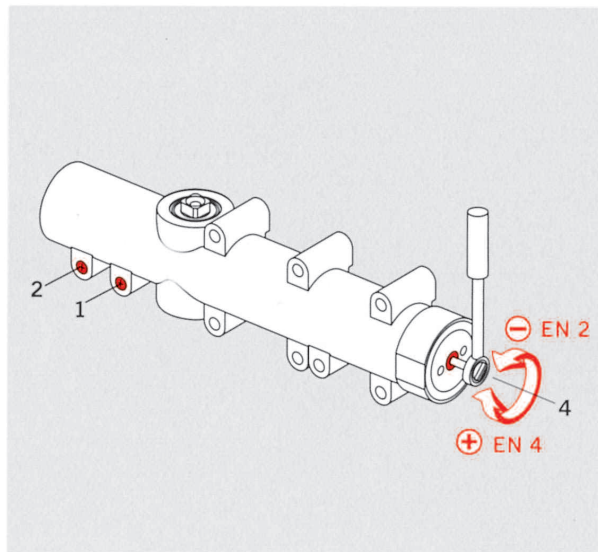
**Standard and optional functions**

The **closing speed** of the DORMA TS 72 is variable in two independent ranges by separate valves.

In addition, the **latching action** can be adjusted at the closer arm.

The **closing force (size setting)** for the door width concerned is variable at the adjustment screw located at the end face of the TS 72 closer body.

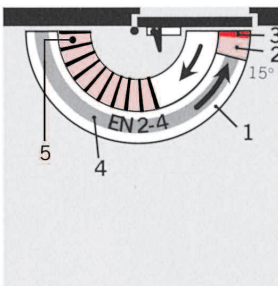
Door width	Setting
≤ 850	EN 2
≤ 950	EN 3
≤ 1100	EN 4



**With “thinking” backcheck (TS 72 VBC only) –**

Thanks to an innovative design concept, the resistance developed by this backcheck system is directly proportional to door acceleration as the door is opened beyond approx. 70°. It is almost imperceptible when the door is opened slowly. However, if the door is opened roughly, the backcheck responds in equal measure.

And if the door should be flung open at speed – whether deliberately, thoughtlessly, accidentally or as a result of a gust of wind – the backcheck reacts at full strength, protecting the wall and door from damage.



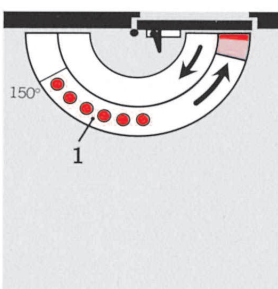
- 1 Closing speed adjustable in the range 180° – 15°.
- 2 Closing speed adjustable in the range 15° – 0°.
- 3 Latching action (variable at arm).
- 4 Adjustable closing force.
- 5 Self-adjusting backcheck (TS 72 VBC).

**If backcheck function is required, the system can simply be switched on.**

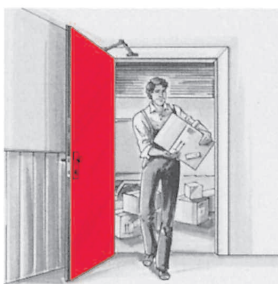


If the DORMA TS 72 is installed with a **hold-open arm**, the doors can be held open at any desired point (up to approx. 150°).

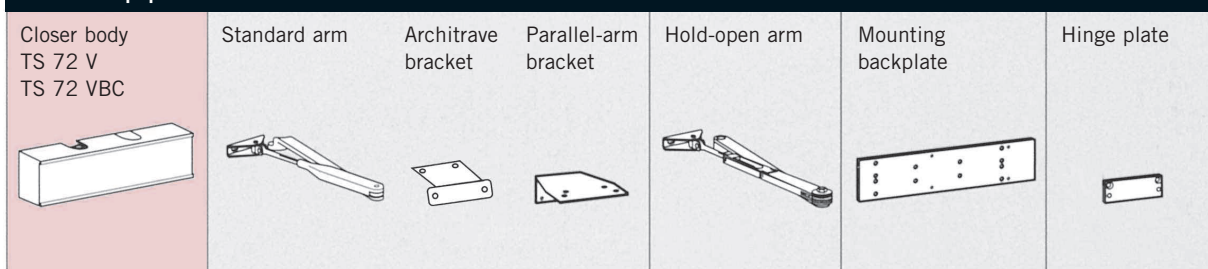
**Hold-open arms are not approved for Fire Doors.**



- 1 Hold-open range





**Standard equipment and accessories**

**Finishes**

Silver  
 Gold  
 Colour Coated  
 Polished Stainless Steel  
 Satin Stainless Steel  
 Polished Brass

**Specification text**
**TS 72 V**

Rack-and-pinion door closer with adjustable closing force, size EN 2 – 4, closing speed adjustable in two independent ranges, with adjustable latching action. Non-handed. Tested and approved to EN 1154. Certifire Approved CF268.

**TS 72 VBC**

Rack-and-pinion door closer with adjustable closing force, size EN 2 – 4, closing speed adjustable in two independent ranges, with adjustable latching action and “thinking” backcheck. Non-handed. Tested and approved to EN 1154. Certifire Approved CF268.

**Model**

With standard arm and fixing bracket for parallel-arm assembly

**Accessories**

Hold-open arm  
 Mounting backplate  
 Upstand hinge plate

**Finishes**

Silver  
 Gold  
 Colour Coated  
 Polished Stainless Steel  
 Satin Stainless Steel  
 Polished Brass

**DORMA UK Limited**

Wilbury Way  
 Hitchin  
 Hertfordshire  
 SG4 0AB  
 Tel: 01462 477600  
 Fax: 01462 477601  
 E-mail:  
 hardware@dorma-uk.co.uk

[www.dorma-uk.co.uk](http://www.dorma-uk.co.uk)

**DORMA Ireland Limited**

19 Sandyford Office Park  
 Foxrock  
 Dublin 18  
 Tel: 01 295 8280  
 Fax: 01 295 8284  
 E-mail:  
 dormadublin@dorma.ie

[www.dorma.ie](http://www.dorma.ie)