



# COMPLETE DOORSETS FOR 8 AND 10 MM GLASS THICKNESS, LOCKS WITH FOLLOWER

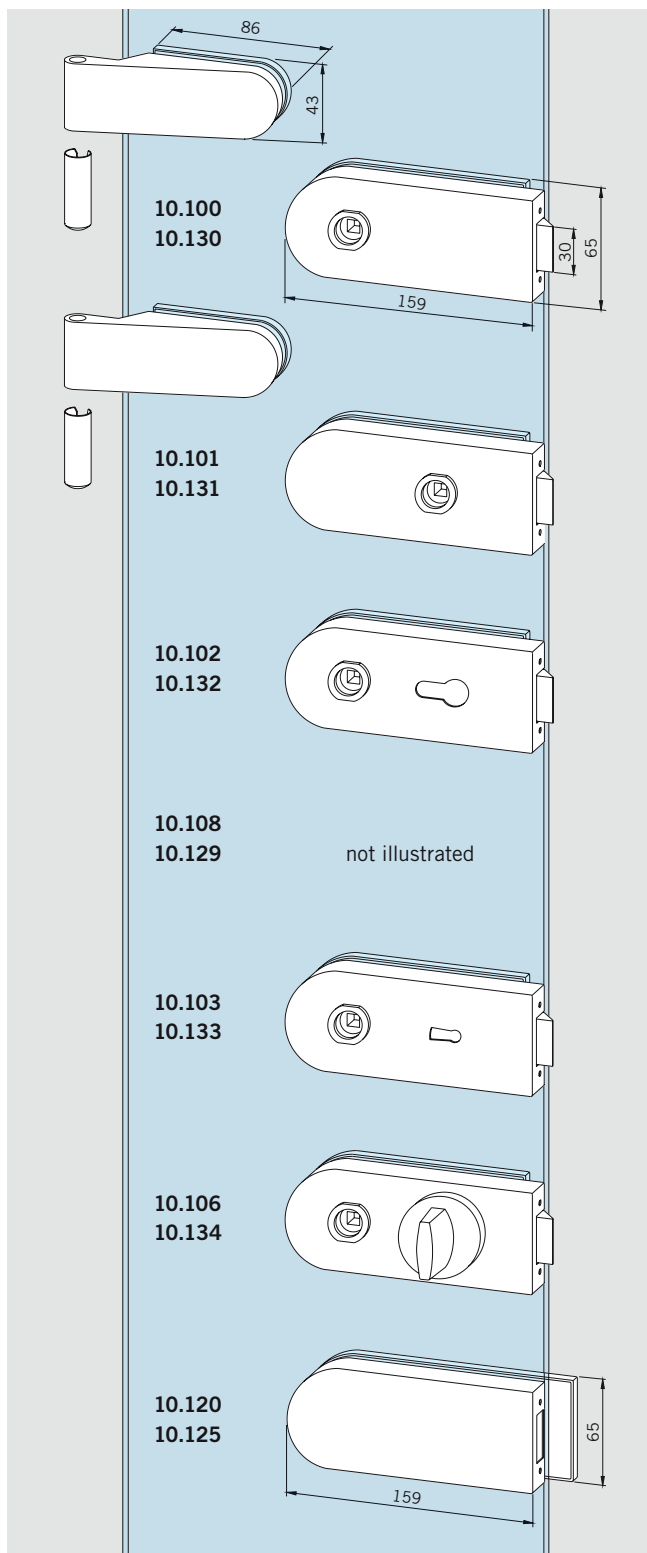
Locks acc. to DIN 18251, class 3, according to type testing (see page 4 – 5).

Door weight max. 45 kg, door width max. 1000 mm.

Rebate depth 24 mm (for 8 mm glass thickness), 26 mm (for 10 mm glass thickness)

Prepared for all levers without roses with 8 mm square spindles, spindle length for 44 mm lock thickness and 18 mm Ø follower, max. 8 mm long.

Hinges also to suit doors with no over-rebate and prepared for rebate depth 28 – 40 mm see page 14 and following.



**Lock with 2 hinges,**  
non-locking lock,  
hinges with sleeves,  
extended colour options

8 mm glass thickness

**Art. No. 10.100**

10 mm glass thickness

**Art. No. 10.130**

Weight in kg: alumin. 1.580  
brass 2.485

**Lock with 2 hinges,**  
non-locking lock  
for lever forward,  
hinges with sleeves,  
extended colour options

8 mm glass thickness

**Art. No. 10.101**

10 mm glass thickness

**Art. No. 10.131**

Weight in kg: alumin. 1.625  
brass 2.505

**Lock with 2 hinges,**  
lock prepared for Europrofile  
cylinder, nightlatch function,  
hinges with sleeves,  
extended colour options

8 mm glass thickness

**Art. No. 10.102**

10 mm glass thickness

**Art. No. 10.132**

Weight in kg: alumin. 1.565  
brass 2.465

**Lock with 2 hinges,**  
lock prepared for KABA,  
nightlatch function,  
hinges with sleeves,  
extended colour options

8 mm glass thickness

**Art. No. 10.108**

10 mm glass thickness

**Art. No. 10.129**

Weight in kg: alumin. 1.563

**Lock with 2 hinges,**  
lever lock, nightlatch  
function, 2 keys supplied, hin-  
ges with sleeves,  
extended colour options

8 mm glass thickness

**Art. No. 10.103**

10 mm glass thickness

**Art. No. 10.133**

Weight in kg: alumin. 1.630  
brass 2.530

**Lock with 2 hinges,**  
WC-toilet door, hinges with  
sleeves, extended colour  
options

8 mm glass thickness

**Art. No. 10.106**

10 mm glass thickness

**Art. No. 10.134**

Weight in kg: alumin. 1.745  
brass 2.755

**Strike box with 2 hinges,**  
for pairs of doors,  
hinges with sleeves,  
extended colour options

8 mm glass thickness

**Art. No. 10.120**

10 mm glass thickness

**Art. No. 10.125**

Weight in kg: alumin. 1.380  
brass 2.295

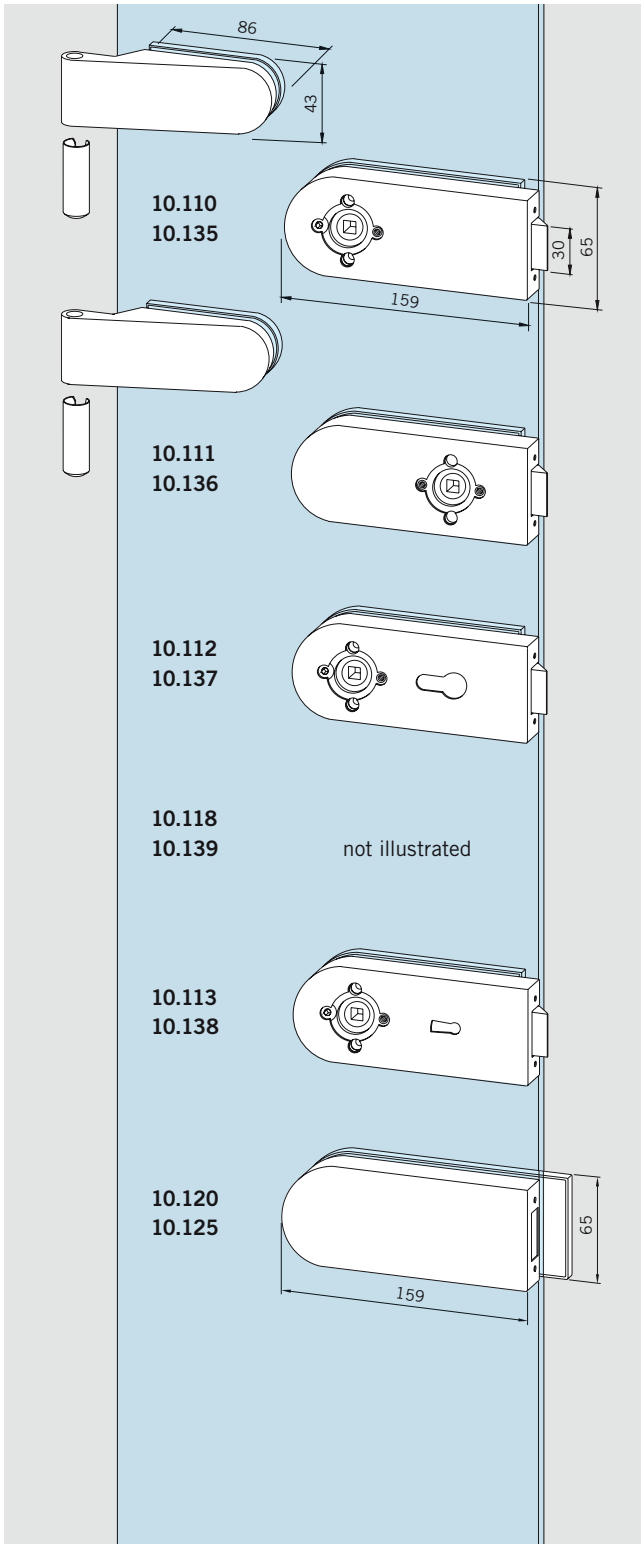
# COMPLETE DOORSETS FOR 8 AND 10 MM GLASS THICKNESS, LOCKS FOR LEVERS WITH ROSES

Locks acc. to DIN 18251, class 3, according to type testing (see page 4 – 5).

Door weight max. 45 kg, door width max. 1000 mm.

Rebate depth 24 mm (for 8 mm glass thickness),  
26 mm (for 10 mm glass thickness)

Hinges also to suit doors with no over-rebate and prepared for rebate depth 28 – 40 mm see page 14 and following.



**Lock with 2 hinges,**  
non-locking lock,  
hinges with sleeves

8 mm glass thickness

**Art. No. 10.110**

10 mm glass thickness

**Art. No. 10.135**

Weight in kg: alumin. 1.580

**Lock with 2 hinges,**  
non-locking lock  
for lever forward,  
hinges with sleeves

8 mm glass thickness

**Art. No. 10.111**

10 mm glass thickness

**Art. No. 10.136**

Weight in kg: alumin. 1.585

**Lock with 2 hinges,**  
lock prepared for Europrofile  
cylinder, nightlatch function,  
hinges with sleeves

8 mm glass thickness

**Art. No. 10.112**

10 mm glass thickness

**Art. No. 10.137**

Weight in kg: alumin. 1.565

**Lock with 2 hinges,**  
lock prepared for KABA,  
nightlatch function,  
hinges with sleeves

8 mm glass thickness

**Art. No. 10.118**

10 mm glass thickness

**Art. No. 10.139**

Weight in kg: alumin. 1.563

**Lock with 2 hinges,**  
lever lock, nightlatch  
function, 2 keys supplied, hin-  
ges with sleeves

8 mm glass thickness

**Art. No. 10.113**

10 mm glass thickness

**Art. No. 10.138**

Weight in kg: alumin. 1.575

**Strike box with 2 hinges,**  
for pairs of doors,  
hinges with sleeves

8 mm glass thickness

**Art. No. 10.120**

10 mm glass thickness

**Art. No. 10.125**

Weight in kg: alumin. 1.380

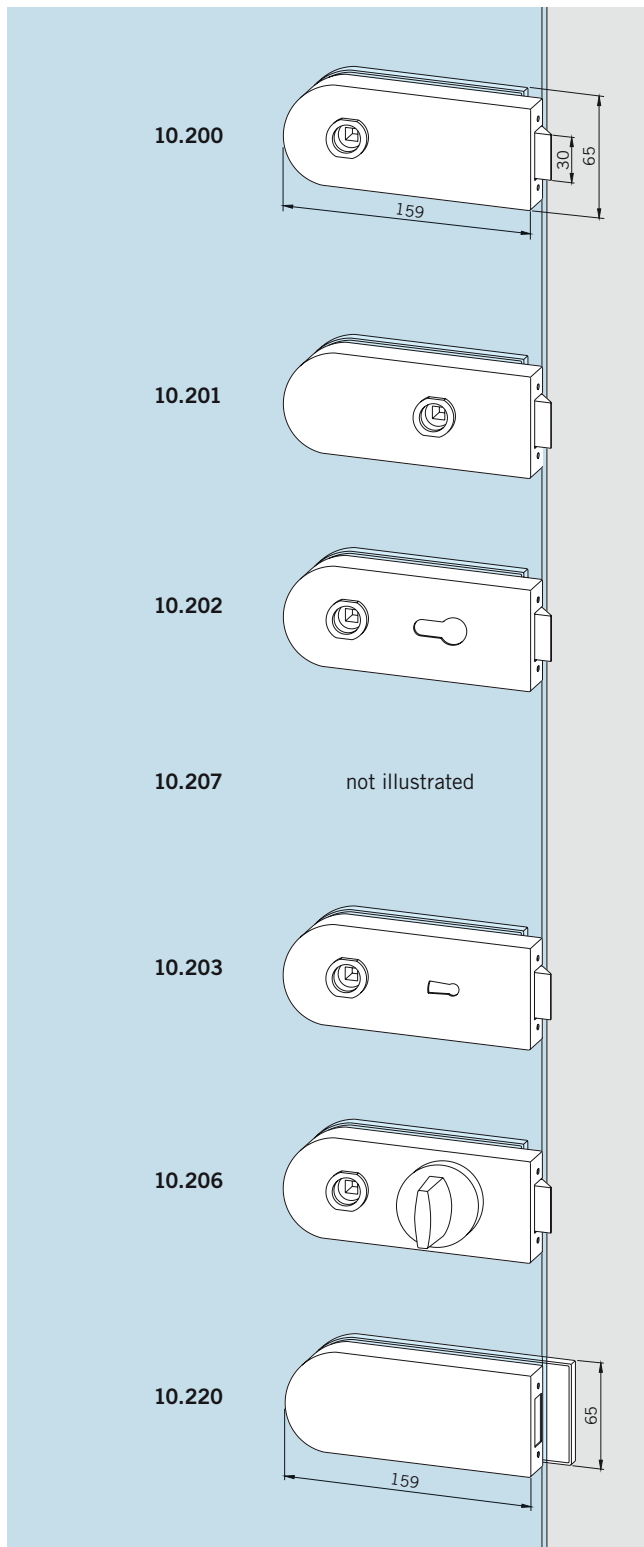
## LOCKS WITH FOLLOWER

According to DIN 18251, class 3, according to type testing (see page 4 – 5)

Locks for 8 mm glass thickness / 24 mm rebate depth,  
10 mm glass thickness / 26 mm rebate depth resp.

Prepared for all levers without roses with 8 mm square spindles, spindle length for 44 mm lock thickness and 18 mm Ø follower, max. 8 mm long.

Hinges also to suit doors with no over-rebate and prepared for rebate depth 28 – 40 mm see page 12 and following.



**Lock,**  
non-locking, extended colour options  
**Art. No. 10.200**  
Weight in kg: alumin. 0.840  
brass 1.055

**Lock,**  
non-locking, with follower forward, extended colour options  
**Art. No. 10.201**  
Weight in kg: alumin. 0.845  
brass 1.055

**Lock,**  
prepared for Europrofile cylinder, nightlatch function, extended colour options  
**Art. No. 10.202**  
Weight in kg: alumin. 0.815  
brass 1.030

**Lock,**  
prepared for KABA, nightlatch function, extended colour options  
**Art. No. 10.207**  
Weight in kg: alumin. 0.813

**Lock,**  
lever lock, nightlatch function, 2 keys supplied, extended colour options  
**Art. No. 10.203**  
Weight in kg: alumin. 0.850  
brass 1.090

**Lock,**  
WC-toilet door, extended colour options  
**Art. No. 10.206**  
Weight in kg: alumin. 1.106  
brass 1.398

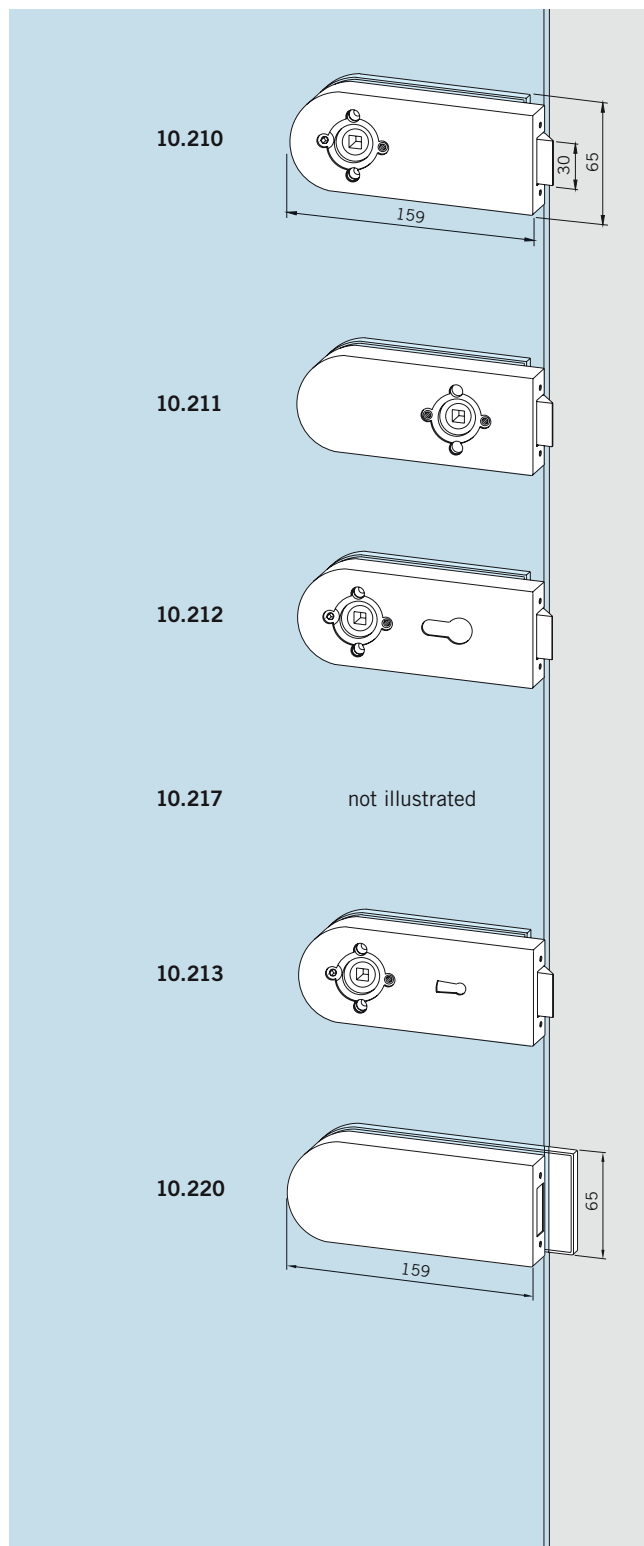
**Strike box,**  
for pairs of doors, extended colour options  
**Art. No. 10.220**  
Weight in kg: alumin. 0.610  
brass 0.903

## LOCKS FOR LEVERS WITH ROSES

According to DIN 18251, class 3, according to type testing  
(see page 4 – 5)

Locks for 8 mm glass thickness / 24 mm rebate depth,  
10 mm glass thickness / 26 mm rebate depth resp.

Hinges also to suit doors with no over-rebate and prepared for rebate depth 28 – 40 mm see page 12 and following.



**Lock,**  
non-locking, extended colour  
options

**Art. No. 10.210**

Weight in kg: alumin. 1.580  
brass 2.485

**Lock,**  
non-locking, with follower  
forward, extended colour options

**Art. No. 10.211**

Weight in kg: alumin. 1.625  
brass 2.505

**Lock,**  
prepared for Europrofile  
cylinder, nightlatch function,  
extended colour options

**Art. No. 10.212**

Weight in kg: alumin. 1.565  
brass 2.465

**Lock,**  
prepared for KABA, nightlatch  
function, extended colour  
options

**Art. No. 10.217**

Weight in kg: alumin. 0.810

**Lock,**  
lever lock, nightlatch function,  
2 keys supplied, extended  
colour options

**Art. No. 10.213**

Weight in kg: alumin. 1.630  
brass 2.530

**Strike box,**  
for pairs of doors, extended  
colour options

**Art. No. 10.220**

Weight in kg: alumin. 0.610  
brass 0.903

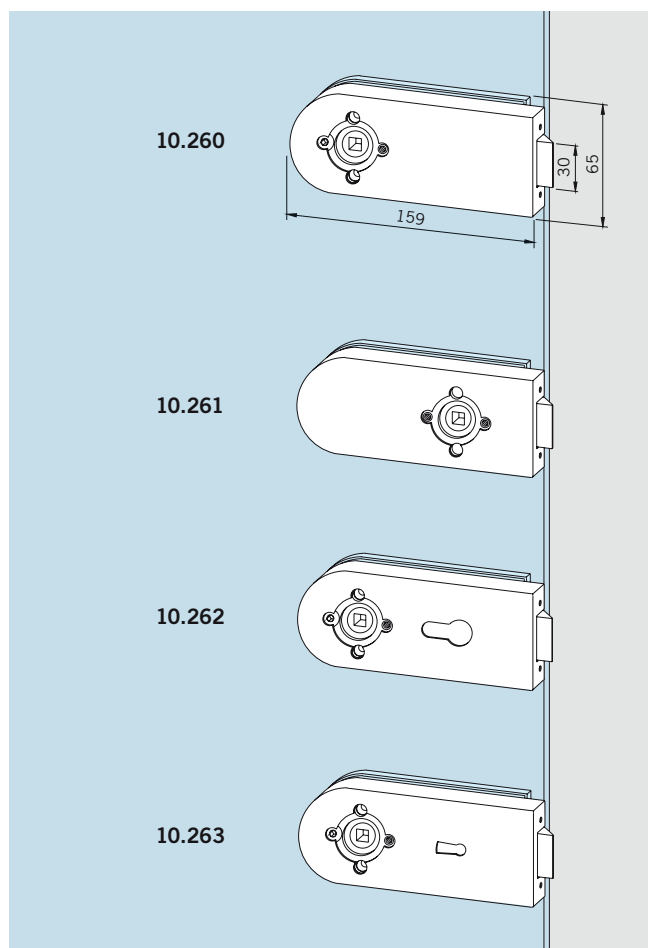
# LOCKS, PREPARED FOR D-LINE LEVERS WITH ROSES

According to DIN 18251, class 3, according to type testing (see page 4 – 5)

Locks for 8 mm glass thickness / 24 mm rebate depth,  
10 mm glass thickness / 26 mm rebate depth resp.

Lever on site. Please specify exact lock type when ordering lever at your supplier and left or right hand application.

Hinges also to suit doors with no over-rebate and prepared for rebate depth 28 – 40 mm see page 12 and following.



**Lock,**  
non-locking, extended colour options  
**Art. No. 10.260**  
Weight in kg: alumin. 0.840  
brass 1.055

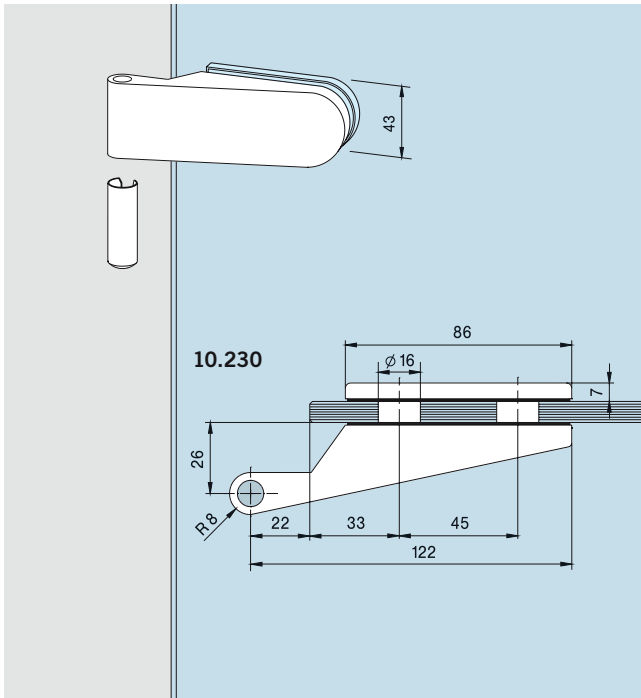
**Lock,**  
non-locking, with follower forward, extended colour options  
**Art. No. 10.261**  
Weight in kg: alumin. 0.845

**Lock,**  
prepared for Europrofile cylinder, nightlatch function, extended colour options  
**Art. No. 10.262**  
Weight in kg: alumin. 0.815  
brass 1.030

**Lock,**  
lever lock, nightlatch function, 2 keys supplied, extended colour options  
**Art. No. 10.263**  
Weight in kg: alumin. 0.850

# HINGES FOR 8 MM GLASS THICKNESS

Door width max. 1000 mm



**Hinge with frame pivot,**  
complete with sleeve,  
to suit rebate depth 20 mm,  
extended colour options  
door weight max. 45 kg

**Art. No. 10.230**

Weight in kg: alumin. 0.319  
brass 0.688

**Hinge with frame pivot,**  
complete with sleeve, to suit  
rebate depth 28 – 30 mm,  
door weight max. 38 kg

**Art. No. 10.233** (not illustr.)

Weight in kg: alumin. 0.336  
brass 0.806

**Filler piece with screws**  
for rebate depth 31 – 39 mm,  
(please indicate),  
door weight max. 38 kg, used in  
combination with hinge 10.230

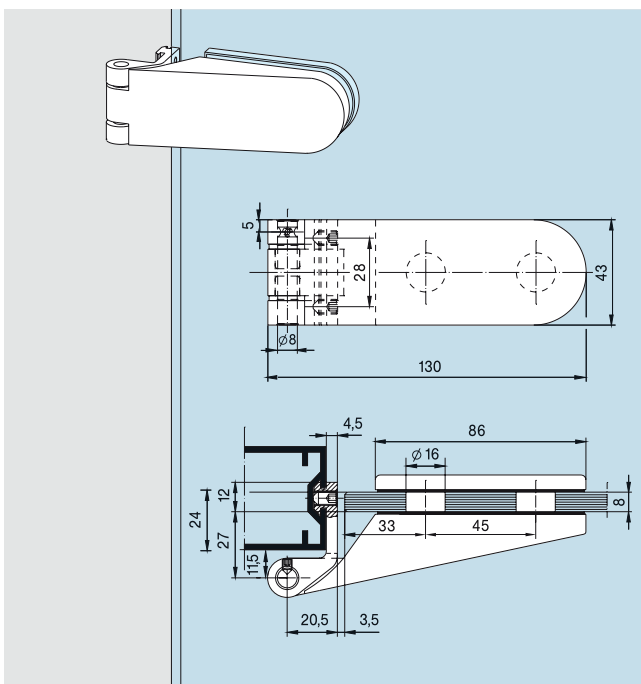
**Art. No. 10.420** (not illustr.)

Weight in kg: alumin. 0.144

**Hinge with frame pivot,**  
complete with sleeve and filler  
piece to suit 40 mm rebate  
depth, door weight max. 38 kg

**Art. No. 10.234** (not illustr.)

Weight in kg: alumin. 0.486



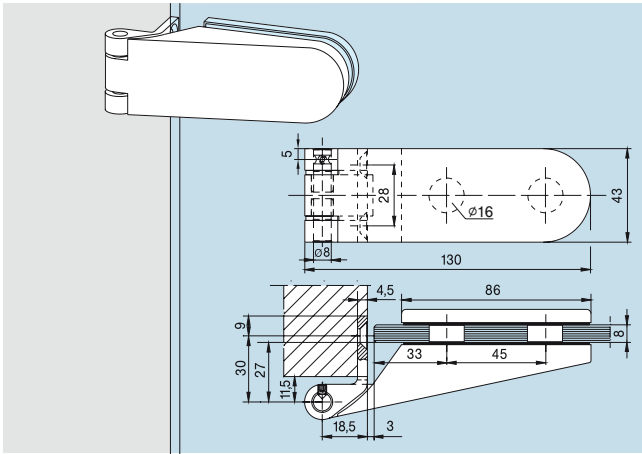
**Hinge with frame pivot for  
aluminium frames,**  
stainless steel pin,  
door weight max. 35 kg

**Art. No. 10.231**

Weight in kg: alumin. 0.329

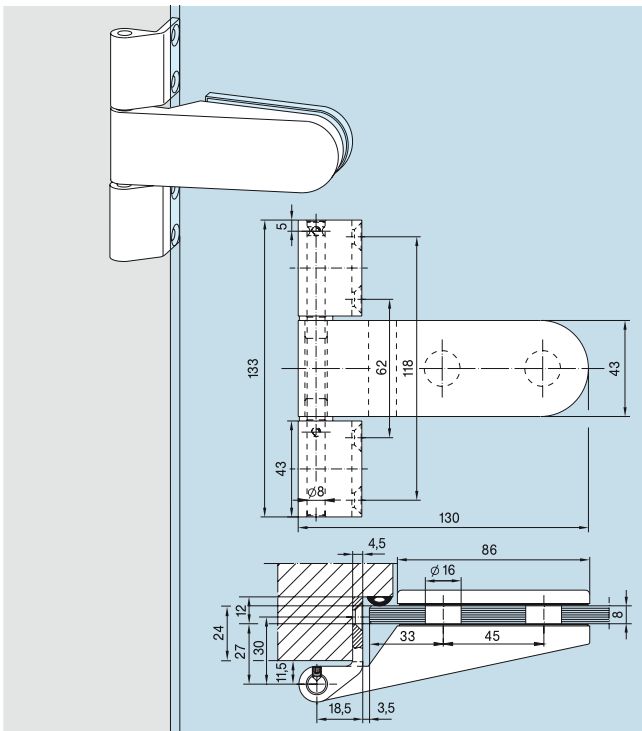
# HINGES FOR 8 MM GLASS THICKNESS

Door width max. 1000 mm



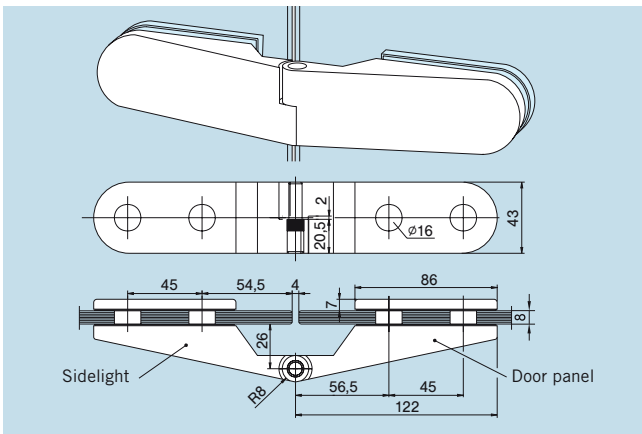
**Hinge with frame pivot for wooden frames,**  
hinge flap for mortising into frame, stainless steel pin, door weight max. 35 kg

**Art. No. 10.232**  
Weight in kg: alumin. 0.321



**Strengthened hinge with frame pivot for wooden frames,**  
hinge flap for mortising into frame, stainless steel pin, door weight max. 45 kg

**Art. No. 10.235**  
Weight in kg: alumin. 0.433



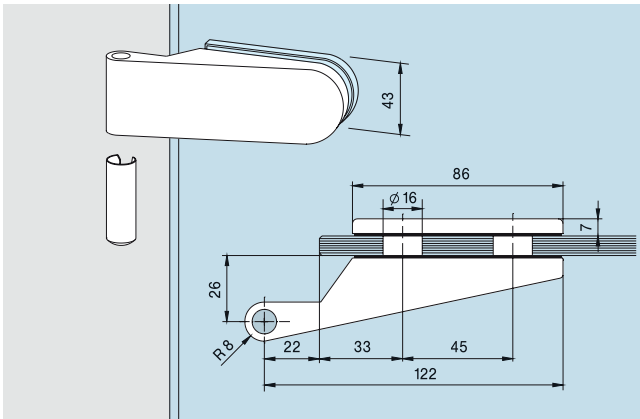
**Hinge for mounting onto sidelight,**  
stainless steel pin, door weight max. 35 kg

**Art. No. 10.244 L (as illustr.)**  
**Art. No. 10.246 R**  
Weight in kg: alumin. 0.557



# HINGES FOR 10 MM GLASS THICKNESS

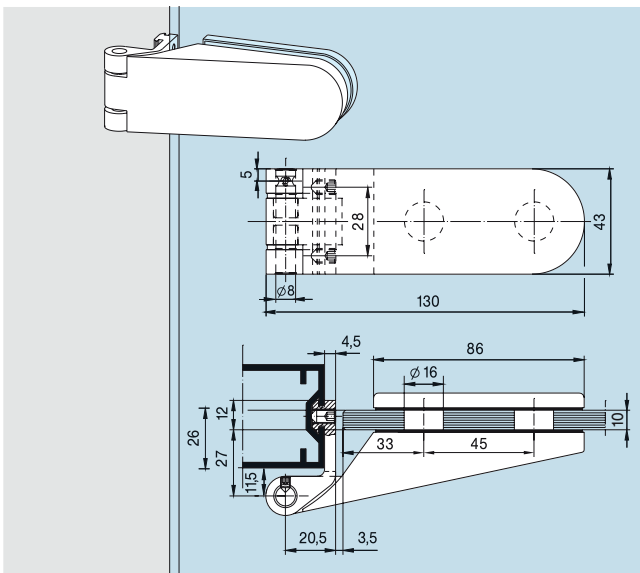
Door width max. 1000 mm



**Hinge with frame pivot,**  
complete with sleeve,  
rebate depth 26 mm,  
extended colour options,  
door weight max. 45 kg

**Art. No. 10.236**

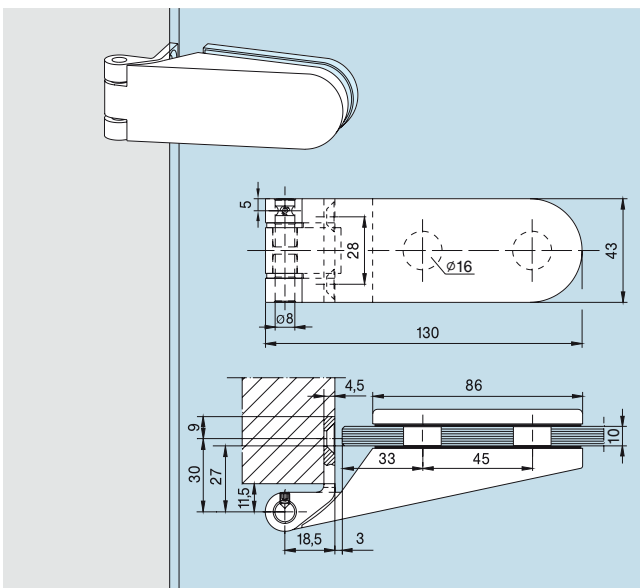
Weight in kg: alumin. 0.319  
brass 0.688



**Hinge with frame pivot for aluminium frames,**  
stainless steel pin,  
door weight max. 35 kg

**Art. No. 10.237**

Weight in kg: alumin. 0.329



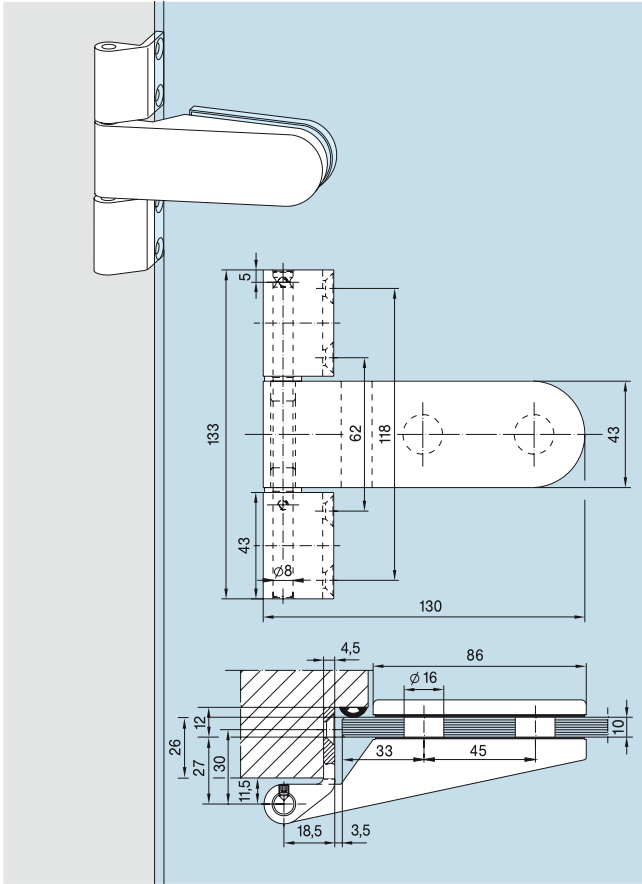
**Hinge with frame pivot for wooden frames,**  
hinge flap for mortising into  
frame, stainless steel pin,  
door weight max. 35 kg

**Art. No. 10.238**

Weight in kg: alumin. 0.321

# HINGES FOR 10 MM GLASS THICKNESS

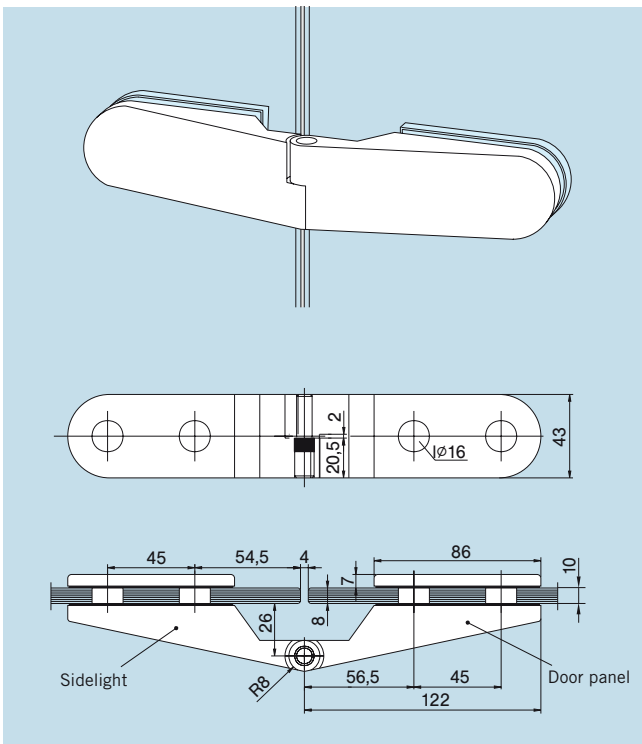
Door width max. 1000 mm



**Strengthened hinge with frame pivot for wooden frames,**  
hinge flap for mortising into frame, stainless steel pin,  
door weight max. 45 kg

**Art. No. 10.239**

Weight in kg: alumin. 0.433



**Hinge for mounting onto sidelight,**  
stainless steel pin,  
door weight max. 35 kg

**Art. No. 10.245 L** (as illustr.)

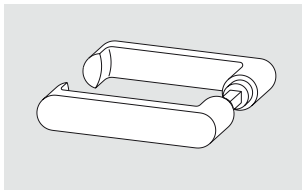
**Art. No. 10.247 R**

Weight in kg: alumin. 0.557

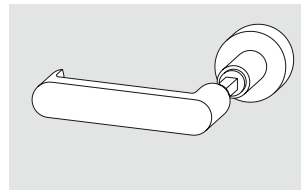
Note: Opening angle max. 100°

## SETS OF LEVERS FOR LOCKS WITH FOLLOWER

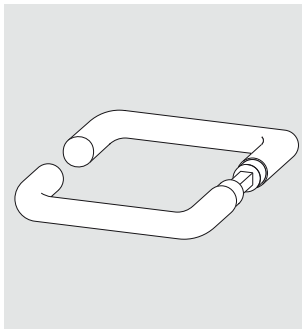
---



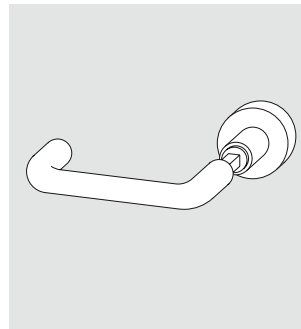
**Set of levers**, with flat hand part, extended colour options  
**Art. No. 10.314**  
 Weight in kg: alumin. 0.290  
                   brass 0.760



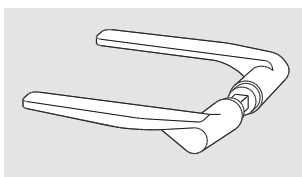
**Lever and knob set**, lever with flat hand part, fixed knob, for use with nightlatch function locks  
**Art. No. 10.304**  
 Weight in kg: alumin. 0.270



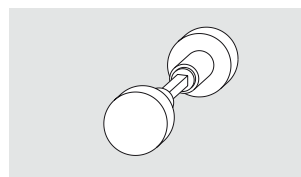
**Set of levers**, tubular, for follower  
**Art. No. 10.301**  
 Weight in kg: alumin. 0.320  
                   brass 0.450



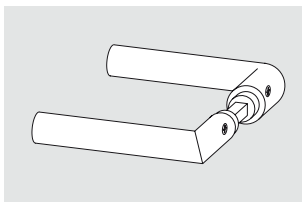
**Lever and knob set**, tubular lever with free turning knob (turning without function)  
**Art. No. 10.316**  
 Weight in kg: alumin. 0.335



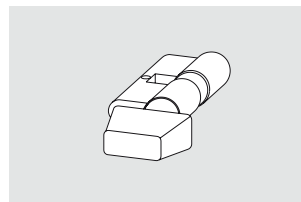
**Set of levers**, with cantilevered hand part  
**Art. No. 10.300**  
 Weight in kg: brass 0.650



**Set of knobs**, turning knob  
**Art. No. 10.305**  
 Weight in kg: alumin. 0.255



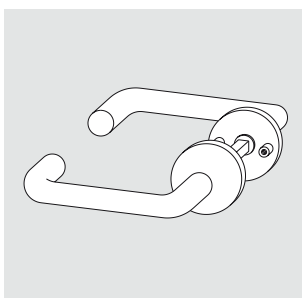
**Set of levers**, Junior levers – stainless steel  
**Art. No. 11.299**  
 Weight in kg: stainless steel 0.336



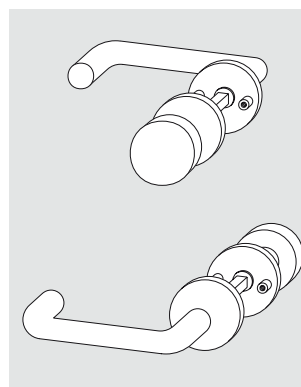
**Thumbturn cylinders (WC)**, for locks prepared for Euro-profile cylinder, thumbturn in aluminium, extended colour options  
**Art. No. 10.310**  
 Weight in kg: 0.225

## SETS OF LEVERS FOR LOCKS PREPARED FOR LEVERS WITH ROSES

---



**Set of levers**, tubular, with roses  
**Art. No. 10.307**  
 Weight in kg: alumin. 0.320



**Lever and knob set**, tubular lever with fixed knob, with roses  
**Art. No. 10.318**  
 Weight in kg: alumin. 0.400

**Set of levers**, tubular, with roses, with stainless steel square drive  
**Art. No. 10.325**  
 Weight in kg: alumin. 0.382

**Lever and knob set**, tubular lever with knob, with roses  
**Art. No. 10.319**  
 Weight in kg: alumin. 0.400

Further sets of levers see pages 21, 29, 34, 43, 51.