



ST TST

Automatic
Sliding door systems

The complete range of sliding doors combined in one system.

Thanks to the lately developed ES 200 operator, DORMA automatic sliding doors and telescopic sliding doors provide all applications for the individual design of your entrance area. No matter if you prefer an elegant full glass application with a compact operator and Manet single-point fixings or a rather functional and robust frame structure, the DORMA ST-ES 200 is the suitable application for your entrance. DORMA ST-ES 200, FST-ES 200, TST-ES 200 and FTST-ES 200 systems not only meet all requirements, they create new standards when it comes to functional range, motion paths, design, stability and heat insulation.

The ES 200 operator technology sets new trends

With ES 200 Easy, ES 200 and ES 200-2D, the ES 200 operator system offers a versatile range of operators for all conditions. Sliding doors in combination with the ES 200 Easy handle all

sliding door versions with a door panel weight of 2 x 85 kg. Doors equipped with the ES 200 operator system can deal with door panel weights of 2 x 160 kg and the escape route version of the ES 200-2D has the German type approval for door panel weights of 2 x 130 kg. Passage widths of up to 3000 mm can easily be realised with all versions of the ES 200 operator system.

German type-approved door systems for emergency exits and escape routes

Due to their established Dual Drive Technology (ES 200-2D), DORMA sliding doors provide a convincing application and operational safety for emergency exits and escape routes. All operators are of redundant design and the systems are equipped with an additional control unit for safety purposes and a self-monitoring radar motion detector. Their characteristic is an additional **F** in their name. These systems have the

German type approval as "automatic sliding door for installation in escape routes without break-out system".

Economic efficiency is our priority

Thanks to a large variety of standard dimensions, DORMA automatic sliding door operators and telescopic sliding door operators are especially economical application. All door systems may be projected and manufactured in oversize and delivered pre-finished if desired. The professional mounting and commissioning by our qualified DORMA staff complete our service range.

DIN 18650

If desired, we offer our doors with DIN 18650-compliant safety components (sensors) as indicated on page 25. The required safety measures result from the respective risk analysis.

Features and benefits

- Unsurpassed performance scope
- Easily adaptable to your individual requirements
- Emergency exit and escape route doors are equipped with a redundant operator, an additional control unit for safety purposes and a self-monitoring radar motion detector
- Excellent cost effectiveness and reliability thanks to established components and a quality-assured production
- Numerous adjustable parameters
- Various standard connection facilities
- Obstacle self-detection and automatic reversing
- Delivery of ready for installation systems, mounting and commissioning if desired
- Manufactured according to the latest state of technology and compliant with all regulations
- Optional: individual burglary control

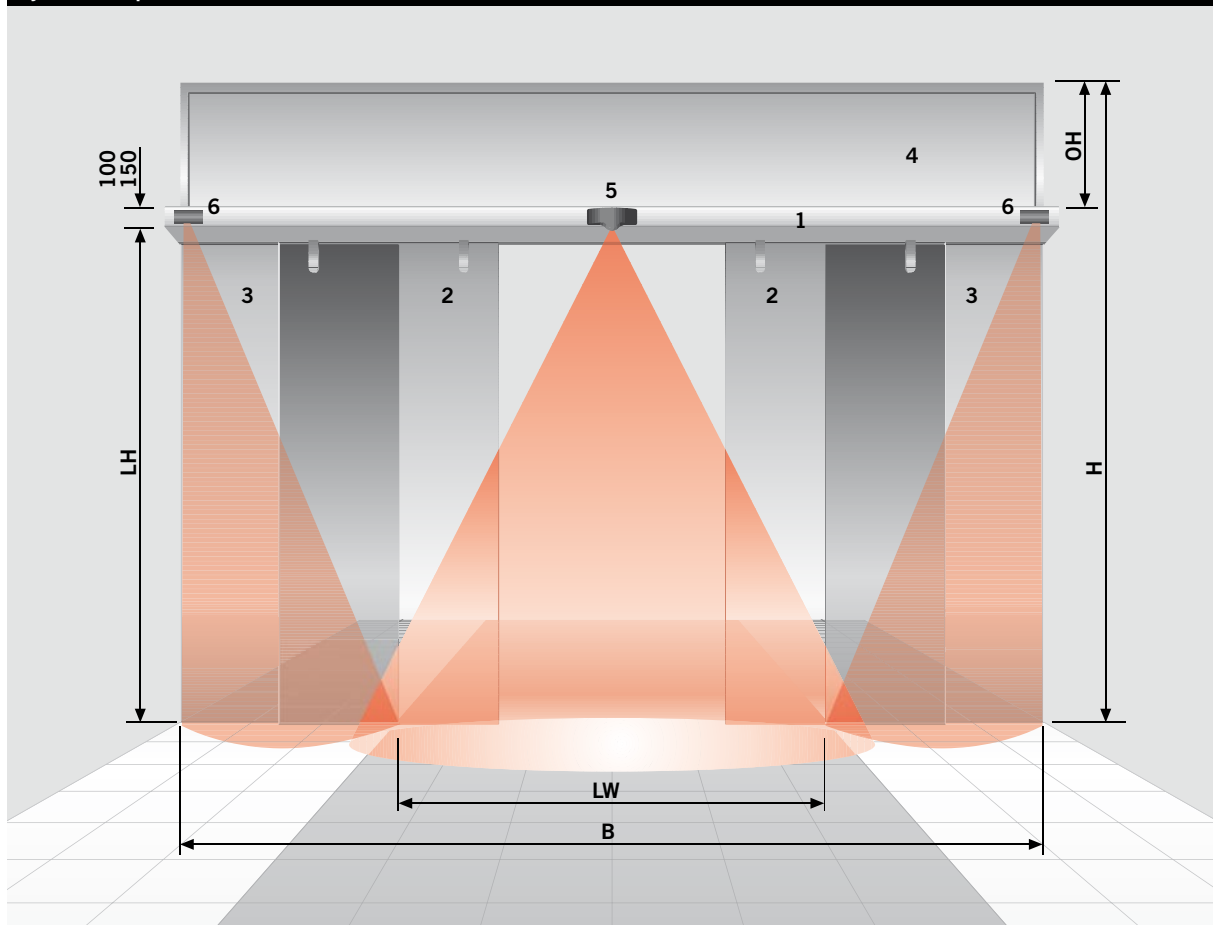


Additional features and benefits of the ES 200-2D operator

- Double-safe **Dual-Drive** operator technology (redundant design)
- Integrated rechargeable battery pack
- Emergency opening following a power failure
- Integrated mechanical manual lock release (optional)
- Minimum operator length = 2 x clear passage width (LW)



System components



- 1 Unsupported header with track rail, drive unit and control unit
- 2 Sliding door panel
- 3 Side screens, stationary (these screens are not required for installation between extending wall faces or similar)
- 4 Fanlight or solid cover
- 5 Activator, e.g. radar motion detector
- 6 DIN 18650, sensors to monitor secondary closing edges


- LW:** Clear passage width
LH: Clear passage height
B: System width
OH: Height of fanlight
H: System height

| Contents | | Page |
|--|--|-------|
| Sliding doors | Types, dimensions, data and functions | 4-5 |
| | Sliding door systems with fine-frame profiles | |
| | DORMA ST-G | 6-7 |
| | Sliding door systems with universal profile system | |
| | DORMA ST FLEX | 8-9 |
| | Sliding door systems with frame profiles | |
| | DORMA ST-R | 10-11 |
| | Sliding door systems with thermo profiles | |
| | DORMA ST-R/Thermo | 12-13 |
| | Sliding door systems with fixings for full-glass systems | |
| DORMA ST-MANET | 14-15 | |
| Sliding door systems with fixings for full-glass systems | | |
| DORMA ST PURE | 16-17 | |
| Telescopic sliding doors | Types, dimensions, data and functions | 18-19 |
| | Telescopic sliding door systems with fine-frame profiles | |
| | DORMA TST-G | 20-21 |
| | Telescopic sliding door systems with universal profiles | |
| | DORMA TST FLEX | 22-23 |
| | Telescopic sliding door systems with frame profiles | |
| | DORMA TST-R | 24-25 |
| | Safety screen, connections | 26-27 |
| | Determination of door panel size | 28-29 |
| | Accessories | 30-35 |

| Door parameters | ES 200 Easy | ES 200 | ES 200-2D |
|-----------------------------|----------------|----------------|----------------|
| Single-panel sliding door | | | |
| – Clear passage width (LW)* | 700 – 3000 mm | 700 – 3000 mm | 900 – 1800 mm |
| – Max. door panel weight | 1 x 100 kg | 1 x 200 kg | 1 x 150 kg |
| Double-panel sliding door | | | |
| – Clear passage width (LW)* | 800 – 3000 mm | 800 – 3000 mm | 900 – 3000 mm |
| – Max. door panel weight | 2 x 85 kg | 2 x 160 kg | 2 x 130 kg |
| Passage height* | 2100 – 3000 mm | 2100 – 3000 mm | 2100 – 3000 mm |

*Further dimensions on demand

| Designs | ES 200 Easy | ES 200 | ES 200-2D |
|--|-------------|--------|-----------|
| Profile systems | | | |
| – G fine-frame profile | ● | ● | ● |
| – Full-glass profile with Flex double glazing | ● | ● | ● |
| – R frame profile | ● | ● | ● |
| – R-Thermo thermal profile | ● | ● | ● |
| – MANET single-point fixing max. clear passage width (LW) single-panel = 1600 mm double-panel = 2000 mm | ● | ● | ● |
| – Full-glass fixing PURE | ● | ● | |
| Operator height/depth 100 mm x 180 mm | ● | ● | ● |
| 150 mm x 180 mm | ● | ● | ● |

| Technical data | ES 200 Easy | ES 200 | ES 200-2D |
|---|-----------------|-----------------|---|
| Suitable for application in emergency exits and escape routes | – | – |  |
| Maximum opening and closing force 150 N | ● | ● | ● |
| Opening speed (adjustable) | 10 – 50 cm/s | 10 – 75 cm/s | 10 – 75 cm/s |
| Closing speed (adjustable) | 10 – 40 cm/s | 10 – 50 cm/s | 10 – 50 cm/s |
| Hold-open time | 0,5 – 30 s | 0 – 180 s | 0 – 120 s |
| Supply voltage / frequency | 230 V, 50-60 Hz | 230 V, 50-60 Hz | 230 V, 50-60 Hz |
| Power consumption | 180 W | 250 W | 250 W |
| Class of protection | IP 20 | IP 20 | IP 20 |
| Compliant with the Low Voltage Directive | ● | ● | ● |
| Manufactured to ISO 9001:2000 | ● | ● | ● |

● yes – no

| Control unit | ES 200 Easy | ES 200 | ES 200-2D |
|---|-------------|-------------------|---|
| Modular design | – | Basic module (BM) | Basic module (BM) |
| Microprocessor control | ● | ● | ● |
| Function programs | | | |
| – Off | ● | ● | ● |
| – Automatic | ● | ● | ● |
| – Permanent Open | ● | ● | ● |
| – Partial Open | ● | ● | ● |
| – Exit Only | ● | ● | ● |
| – Night-/Bank Function | ● | ● | ● |
| Automatic reversing | ● | ● | ● |
| Connection for bistable electro-mechanical locking device | ● | ● | ● |
| Connection for light barriers (max. 2 pairs) | ● | ● | ● |
| Equipment in accordance with DIN 18650 | – | ○ | ○ |
| Setting of basic parameters via integrated display and keys | ● | ● | ● |
| Parameterisation via PDA | – | ● | ● |
| Emergency opening / emergency closing (only with rechargeable battery pack) | ● / ● | ● / ● | ● / – (rechargeable battery pack as standard) |
| Emergency operation via rechargeable battery pack (only with rechargeable battery pack) | – | ● | – |
| 24 V DC-output for external accessories | ● | ● | ● |
| Read-out error log with error codes | ● | ● | ● |
| DCW* bus connection | – | ● | ● |
| Function module (FM) – optional | ES 200 Easy | ES 200 | ES 200-2D |
| Pharmacy Function | – | ● | ● |
| Door status contact (triple-type) | – | ● | ● |
| Safeguarding of main closing edge and secondary closing edges | – / – | ● / ● | ● / – |
| Panic Closing Function | – | ● | – |
| Bell contact | – | ● | ● |
| Airlock Function | – | ● | – |
| Synchronous operation | – | ● | ● |
| DIN 18650 function module - optional | ES 200 Easy | ES 200 | ES 200-2D |
| The DIN 18650 function module provides a tested monitoring process for the secondary closing edges for compliance with the German DIN 18650 standard. | – | ● | ● |
| Additional equipment | ES 200 Easy | ES 200 | ES 200-2D |
| Electro-mechanical locking device (bistable) | ○ | ○ | ○ |
| Manual lock release for electro-mechanical locking device | ○ | ○ | ○ |
| Light barriers | ○ | ○ | ○ |
| Rechargeable battery pack (Emergency opening / emergency closing) | ○ | ○ | ● / – |
| DORMA USV emergency power supply unit (external) | ○ | ○ | ○ |
| Module for coupling to LON-building control system | – | ○ | ○ |

● standard ○ optional – not included

*DCW: Log **DORMA Connect** and **Work**

Fanlights and static side screens are generally available as accessories.

With G fine-frame profiles

Features

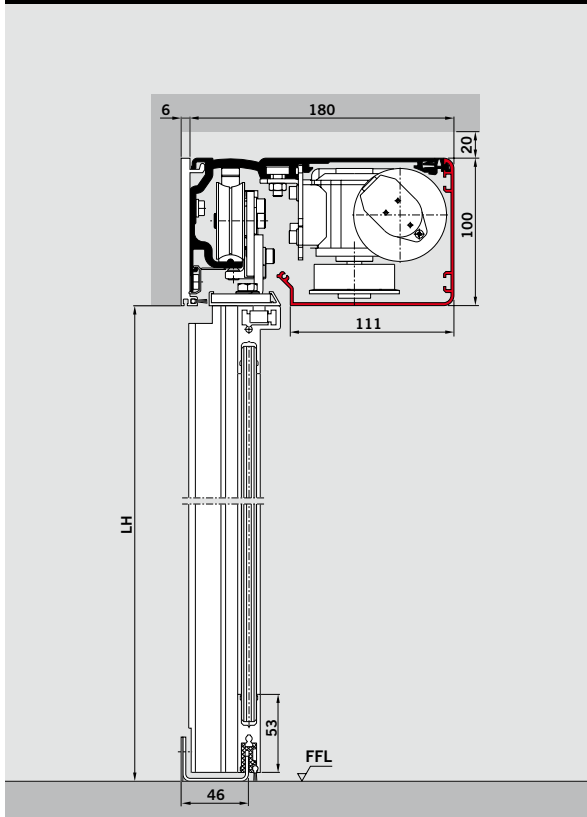
- Elegant fine-frame design
- High stability and torsional rigidity
- Draught protection thanks to lateral seals

LW = clear passage width

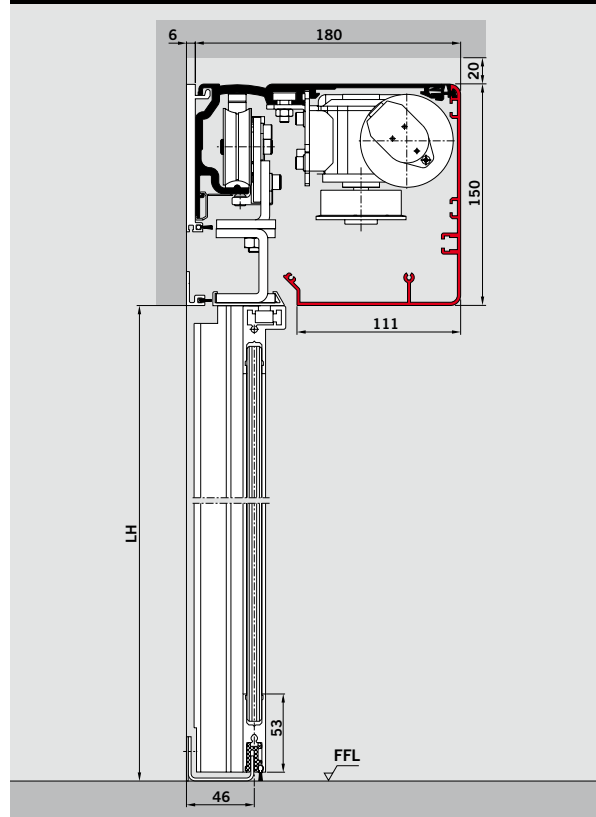
System dimensions and max. door panel weight

| Operator | Single-panel | | Double-panel | |
|---|---|---------------------------|---|---------------------------|
| | System width B | max. door panel weight | System width B | max. door panel weight |
| ES 200 Easy without side screens with side screens | $B = 2 \times LW + 35$ $B = 2 \times LW + 100$ | 1 x 100 kg | $B = 2 \times LW + 70$ $B = 2 \times LW + 140$ | 2 x 85 kg |
| ES 200 without side screens with side screens | $B = 2 \times LW + 35$ $B = 2 \times LW + 100$ | 1 x 200 kg | $B = 2 \times LW + 70$ $B = 2 \times LW + 140$ | 2 x 160 kg |
| ES 200-2D without side screens with side screens | $B = 2 \times LW + 35$ $B = 2 \times LW + 100$ | 1 x 150 kg | $B = 2 \times LW + 70$ $B = 2 \times LW + 140$ | 2 x 130 kg |

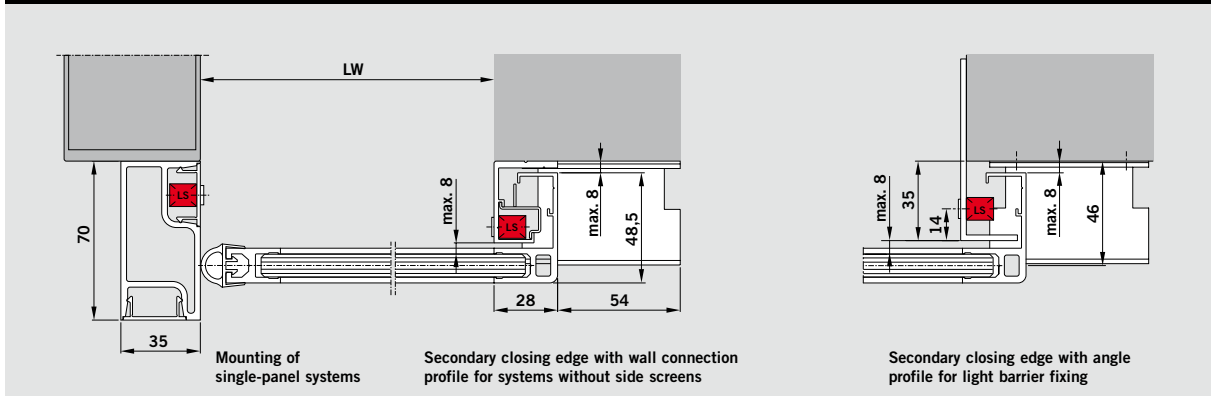
Wall / lintel mounting, operator 100 mm



Wall / lintel mounting, operator 150 mm



Horizontal section of connection profile for door systems that open only to one side



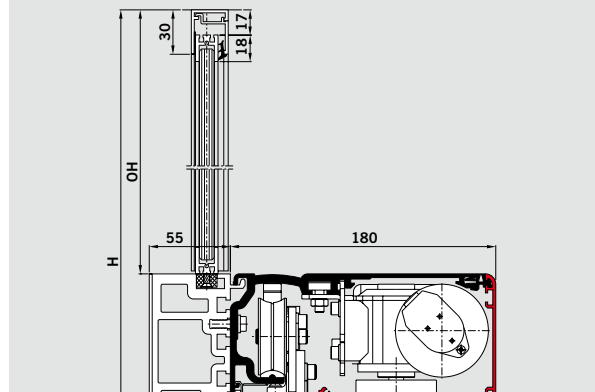
Glass panes

- Toughened safety glass (TSG) 10 mm
- Laminated safety glass 9.6 mm made of toughened safety glass
- Special glazing

Clear passage height (LH)

Determination of clear passage height LH (mm) depending on the clear passage width LW (mm) and the glazing: see diagrams on page 28/29

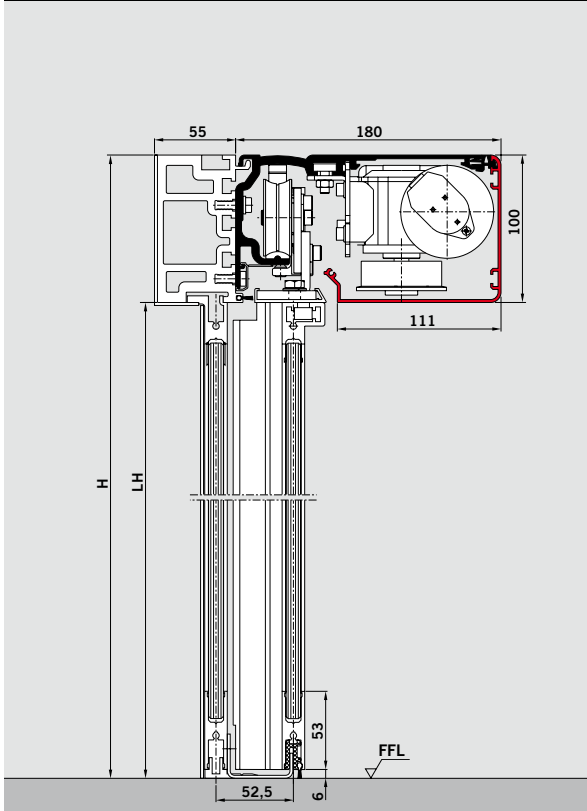
ST-G with fanlight



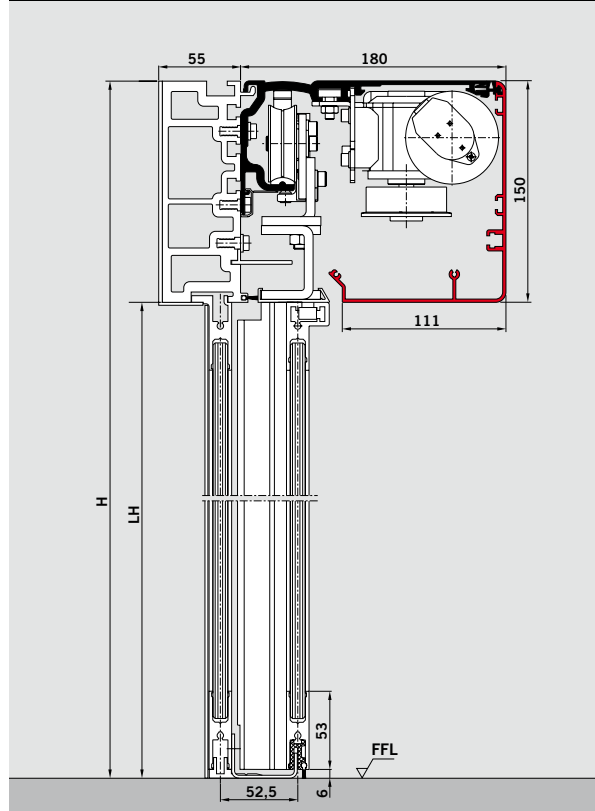
Safety screen

See page 26 for safety screen

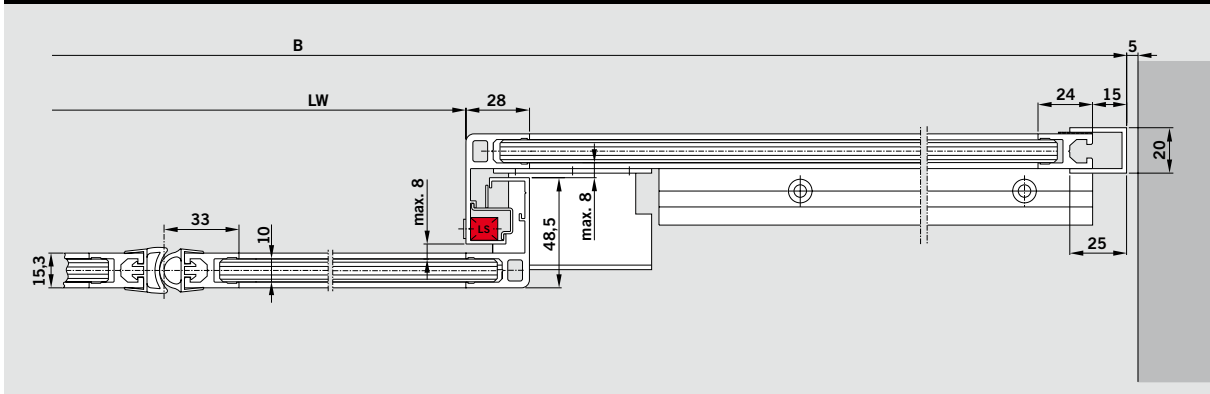
Corridor mounting with side screens, operator 100 mm



Corridor mounting with side screens, operator 150 mm



Horizontal section with side screens



With FLEX fine-frame profiles

Features

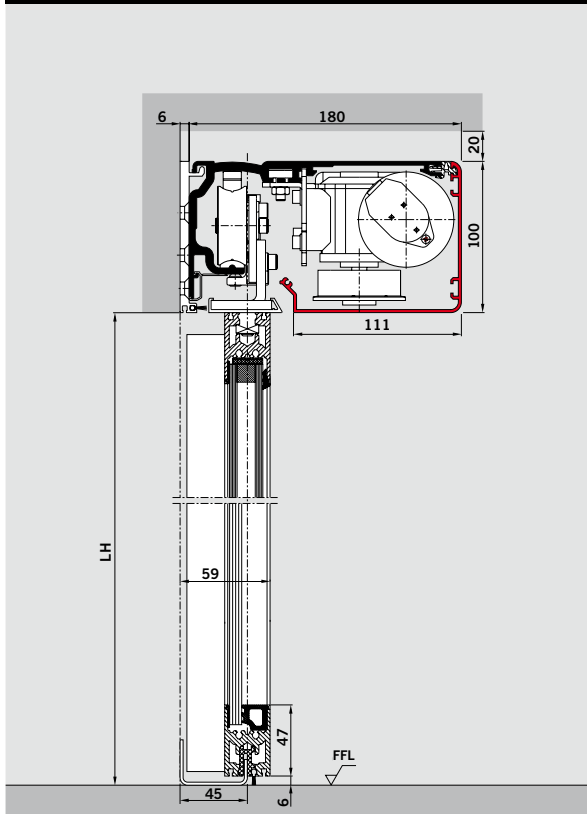
- Attractive glass surfaces thanks to slender frames
- High stability and torsional rigidity
- Low damping behaviour (k-value) of frame due to double-glazing
- Excellent insulation features thanks to interlocking side seals and top and bottom seals

LW = Clear passage width

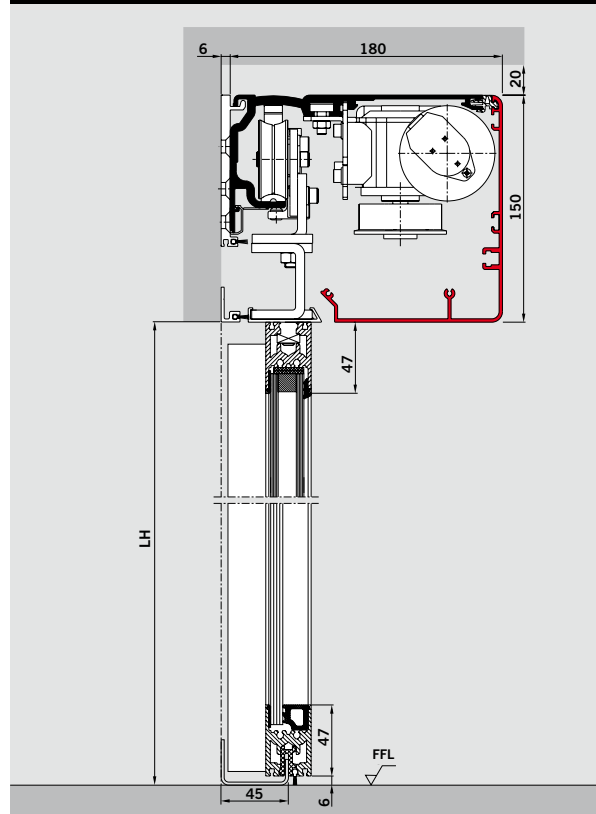
System dimensions and max. door panel weight

| Operator | Single-panel | | Double-panel | |
|---|---|---------------------------|--|---------------------------|
| | System width B | max. door panel weight | System width B | max. door panel weight |
| ES 200 Easy without side screens with side screens | $B = 2 \times LW + 50$ $B = 2 \times LW + 100$ | 1 x 100 kg | $B = 2 \times LW + 100$ $B = 2 \times LW + 180$ | 2 x 85 kg |
| ES 200 without side screens with side screens | $B = 2 \times LW + 50$ $B = 2 \times LW + 100$ | 1 x 200 kg | $B = 2 \times LW + 100$ $B = 2 \times LW + 180$ | 2 x 160 kg |
| ES 200-2D without side screens with side screens | $B = 2 \times LW + 50$ $B = 2 \times LW + 100$ | 1 x 150 kg | $B = 2 \times LW + 100$ $B = 2 \times LW + 180$ | 2 x 130 kg |

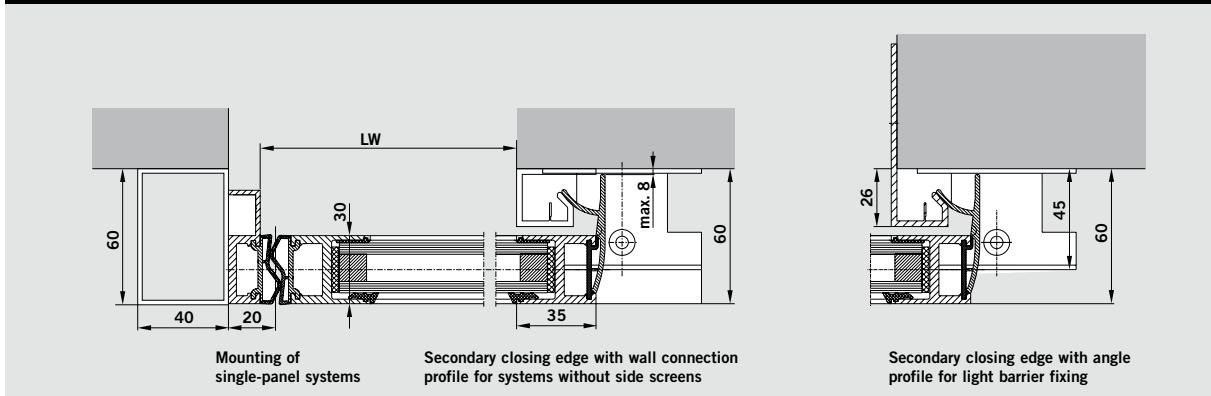
Wall / lintel mounting, operator 100 mm



Wall / lintel mounting, operator 150 mm



Horizontal section of connection profile for door systems that open only to one side



Glass panes

- Toughened safety glass
- Laminated safety glass 8
- ISO 22 (4/14/4)
- Special glazing

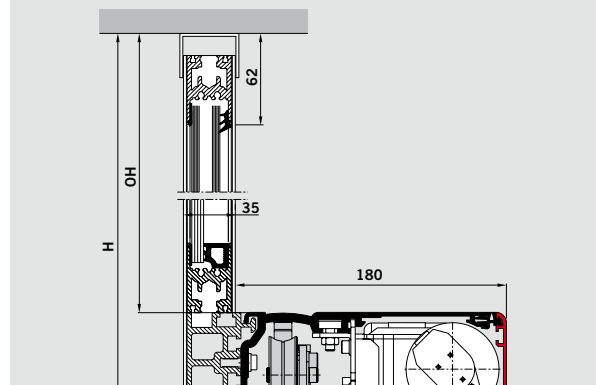
Clear passage height (LH)

Determination of clear passage height LH (mm) depending on the clear passage width LW (mm) and the glazing: see diagrams on page 28/29

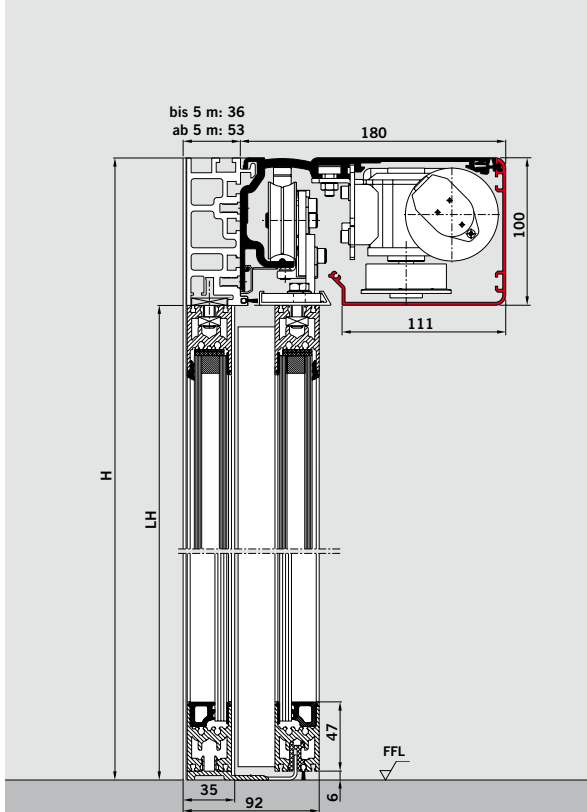
Safety screen

See page 27 for safety screen with ISO glazing (double-glazing).

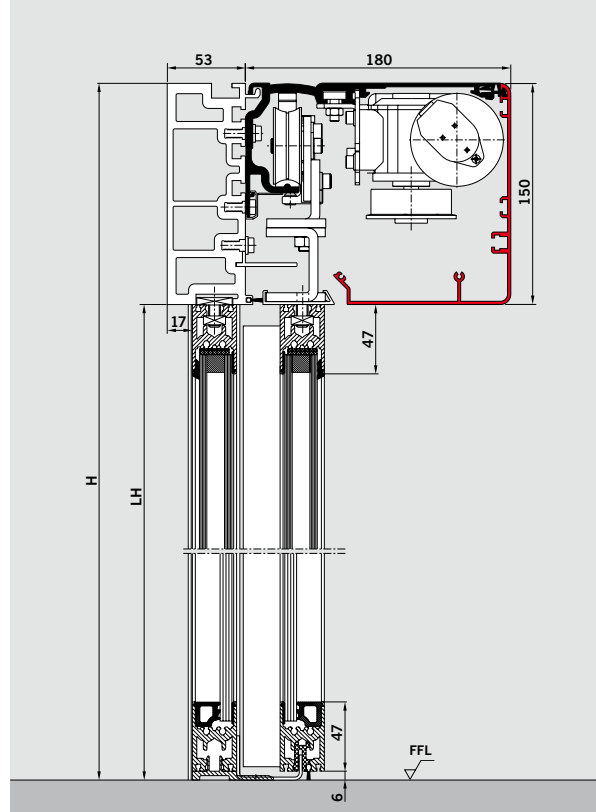
ST-Flex with fanlight



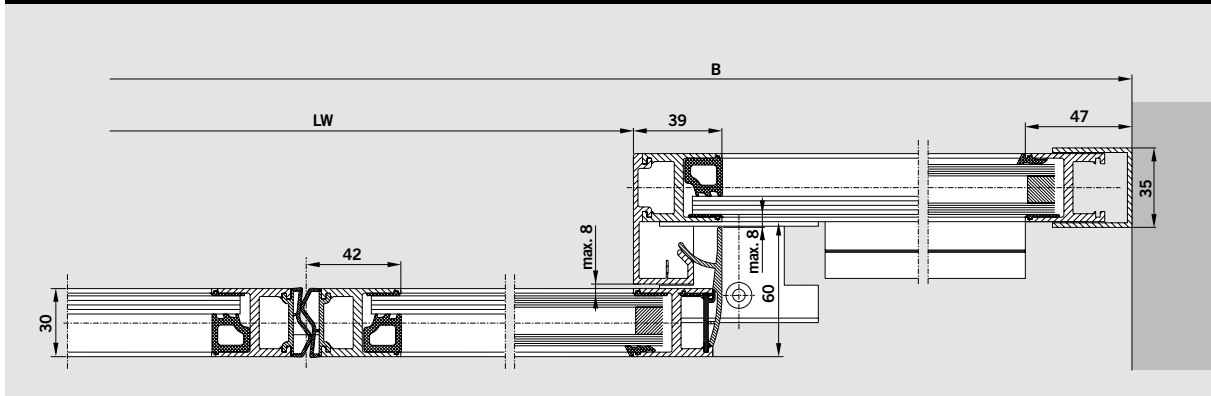
Corridor mounting with side screens, operator 100 mm



Corridor mounting with side screens, operator 150 mm



Horizontal section with side screen



With R frame profiles

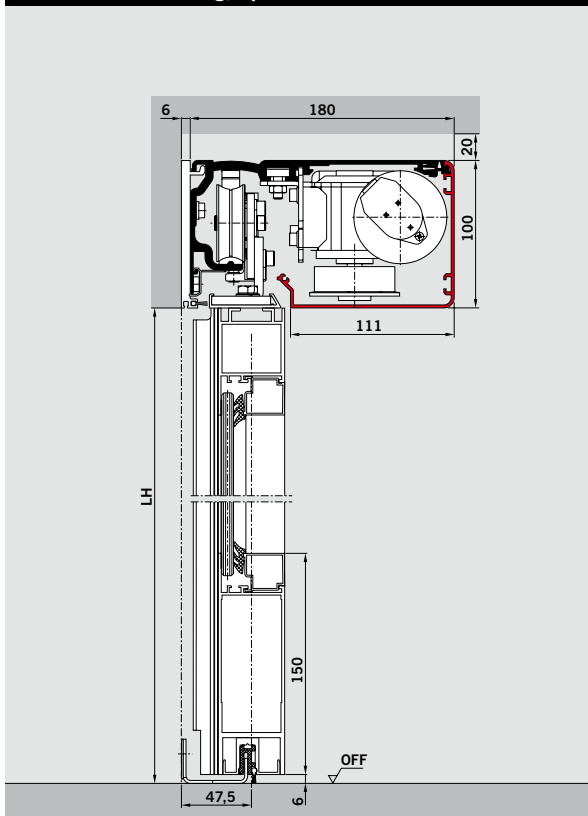
Features

- Robust and reliable frames to protect the panes
- High stability and torsional rigidity
- Draught protection thanks to interlocking side seals

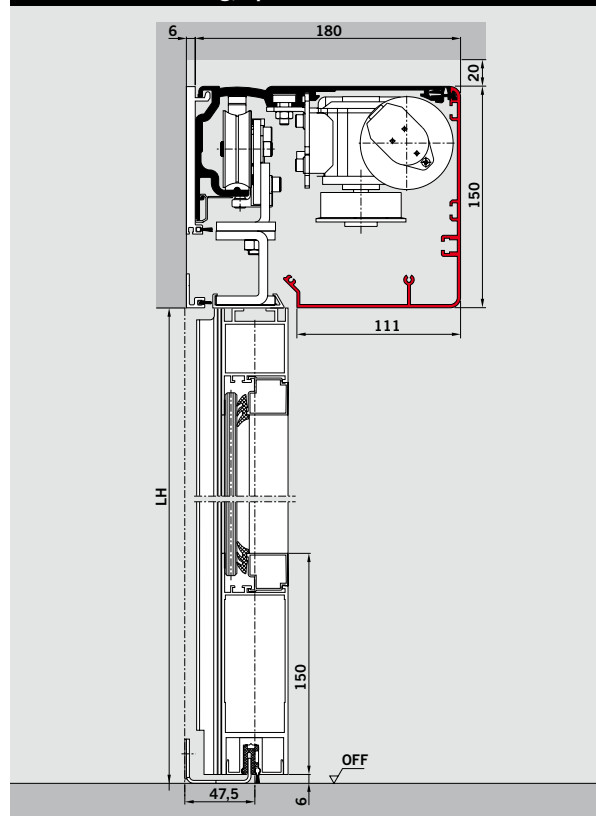
System dimensions and max. door panel weight

| Operator | Single-panel | | Double-panel | |
|--------------------|----------------------|---------------------------|--|---------------------------|
| | System width B | max. door panel weight | System width B | max. door panel weight |
| ES 200 Easy | without side screens | $B = 2 \times LW + 75$ | $B = 2 \times LW + 150$ $B = 2 \times LW + 230$ | 2 x 85 kg |
| | with side screens | $B = 2 \times LW + 110$ | | |
| ES 200 | without side screens | $B = 2 \times LW + 75$ | $B = 2 \times LW + 150$ $B = 2 \times LW + 230$ | 2 x 160 kg |
| | with side screens | $B = 2 \times LW + 110$ | | |
| ES 200-2D | without side screens | $B = 2 \times LW + 75$ | $B = 2 \times LW + 150$ $B = 2 \times LW + 230$ | 2 x 130 kg |
| | with side screens | $B = 2 \times LW + 110$ | | |

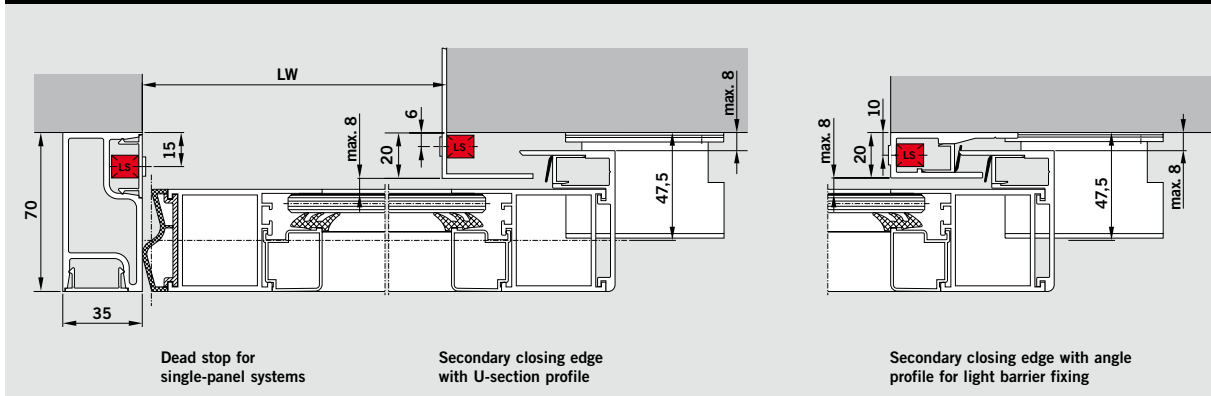
Wall / lintel mounting, operator 100 mm



Wall / lintel mounting, operator 150 mm



Horizontal section of connection profile for door systems that open only to one side



Glass panes

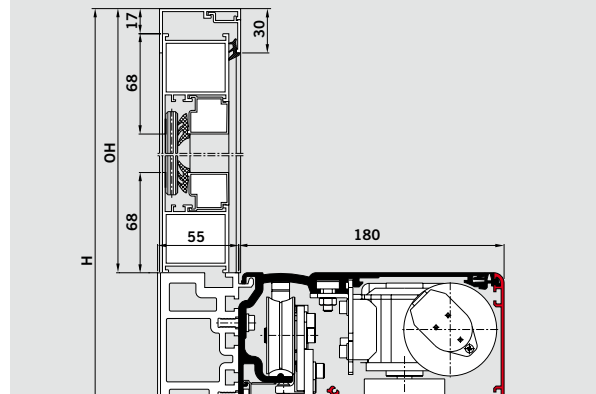
- Toughened safety glass (TSG) 6 mm
- Toughened safety glass (TSG) 8 mm
- Toughened safety glass (TSG) 10 mm
- Laminated safety glass (LSG) 6 mm
- Laminated safety glass (LSG) 8 mm
- Laminated safety glass (LSG) 9 mm, A1
- Laminated safety glass (LSG) 10 mm
- ISO glazing (double-glazing) 5/14/5 mm
- ISO glazing (double-glazing) 6/12/6 mm

■ alternatively ○ optional

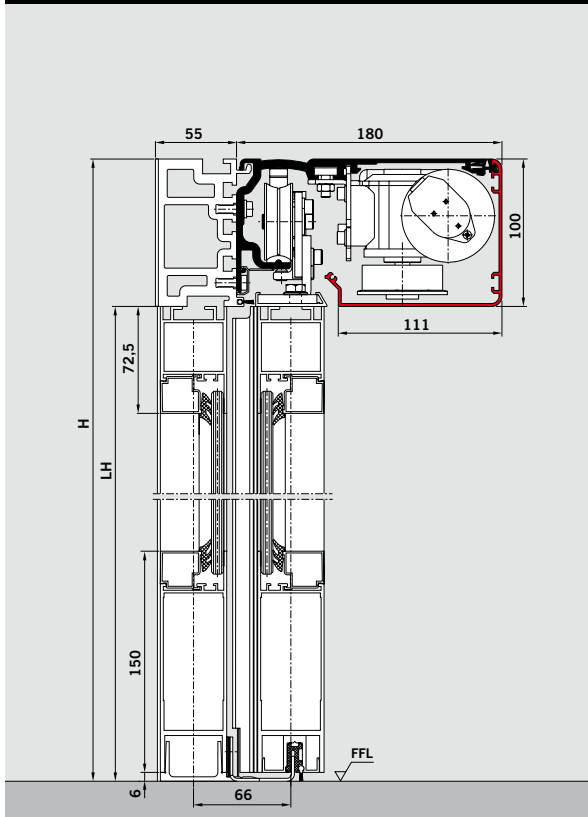
Clear passage height (LH)

Determination of clear passage height LH (mm) depending on the clear passage width LW (mm) and the glazing: see diagrams on page 28/29

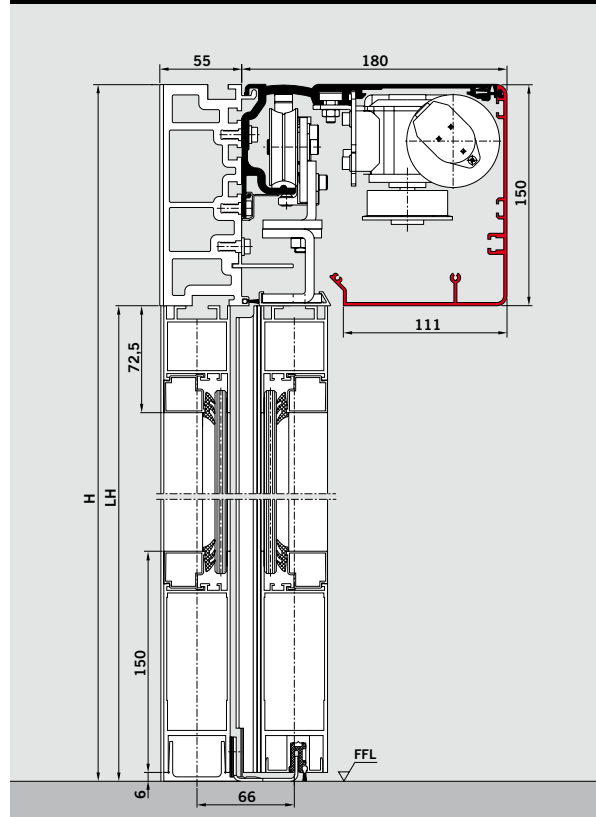
ST-R with fanlight



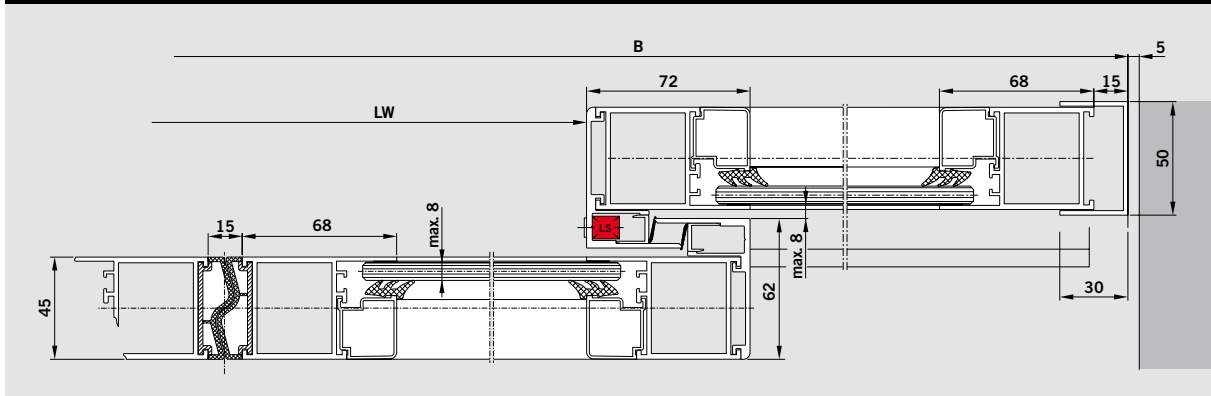
Corridor mounting with side screens, operator 100 mm



Corridor mounting with side screens, operator 150 mm



Horizontal section with side screen



With R-Thermo thermo profiles

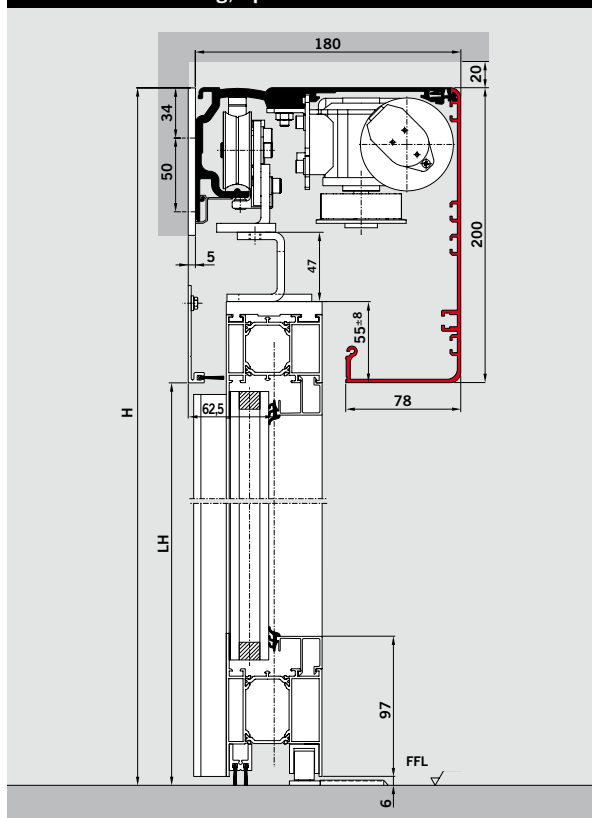
Features

- Robust and reliable frames to protect the glass panes
- High stability and torsional rigidity
- Draught protection thanks to interlocking side seals

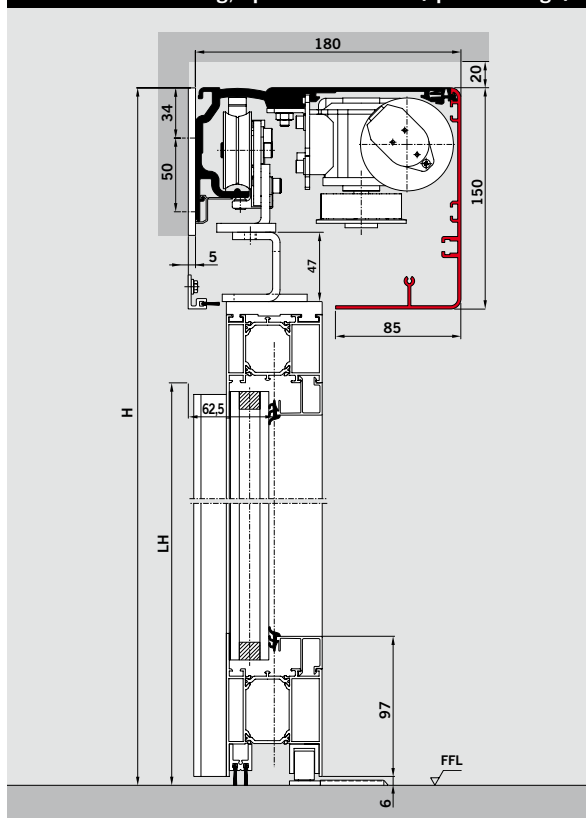
System dimensions and max. door panel weight

| Operator | Single-panel | | Double-panel | | |
|--------------------|----------------------|---------------------------|--|---------------------------|------------|
| | System width B | max. door panel weight | System width B | max. door panel weight | |
| ES 200 Easy | without side screens | $B = 2 \times LW + 90$ | $B = 2 \times LW + 180$ $B = 2 \times LW + 260$ | 1 x 100 kg | 2 x 85 kg |
| | with side screens | $B = 2 \times LW + 130$ | | | |
| ES 200 | without side screens | $B = 2 \times LW + 90$ | $B = 2 \times LW + 180$ $B = 2 \times LW + 260$ | 1 x 200 kg | 2 x 160 kg |
| | with side screens | $B = 2 \times LW + 130$ | | | |
| ES 200-2D | without side screens | $B = 2 \times LW + 90$ | $B = 2 \times LW + 180$ $B = 2 \times LW + 260$ | 1 x 150 kg | 2 x 130 kg |
| | with side screens | $B = 2 \times LW + 130$ | | | |

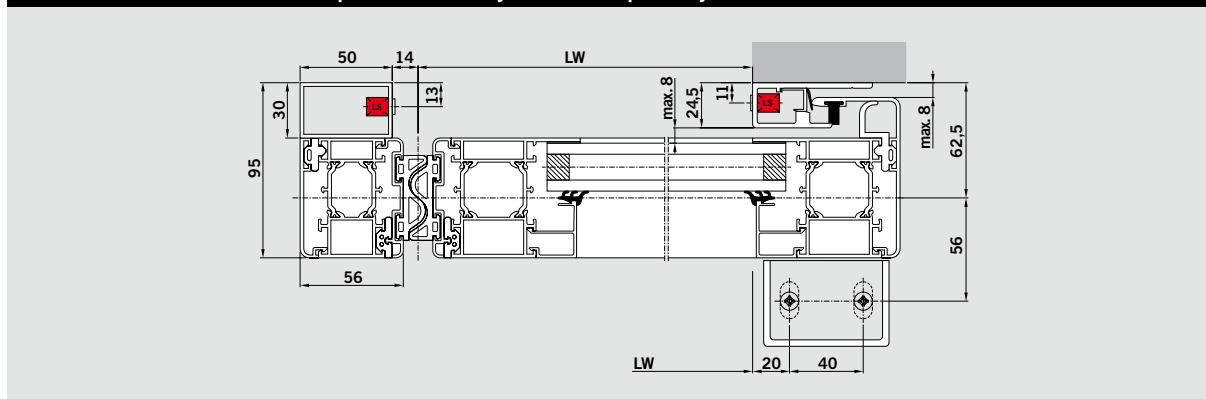
Wall / lintel mounting, operator 200 mm



Wall / lintel mounting, operator 150 mm (special design)



Horizontal section of connection profile for door systems that open only to one side



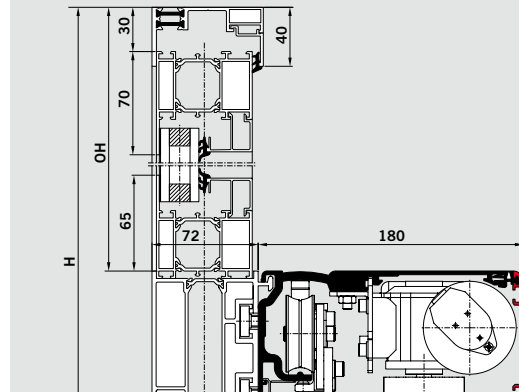
Glass panes

- ISO glazing (double-glazing) 5/14/5 mm
- ISO glazing (double-glazing) 6/12/6 mm
- Special glazing

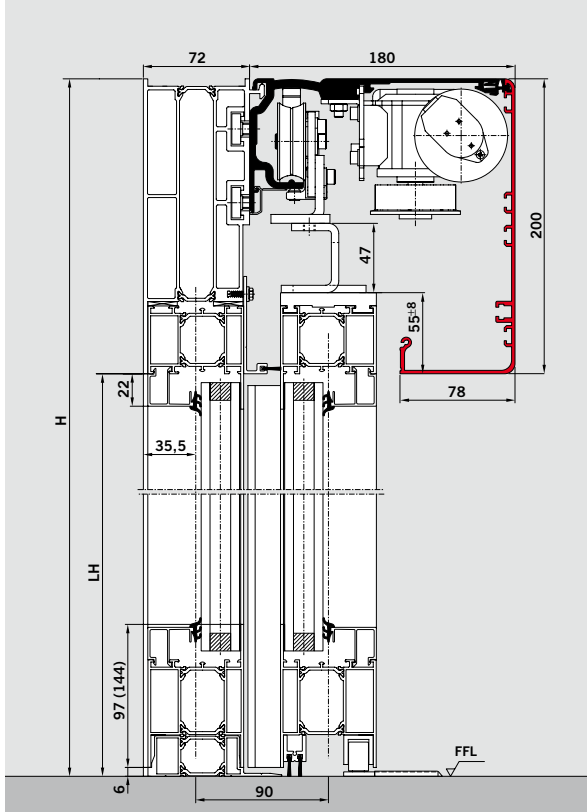
Clear passage height (LH)

Determination of clear passage height LH (mm) depending on the clear passage width LW (mm) and the glazing: see diagrams on page 28/29

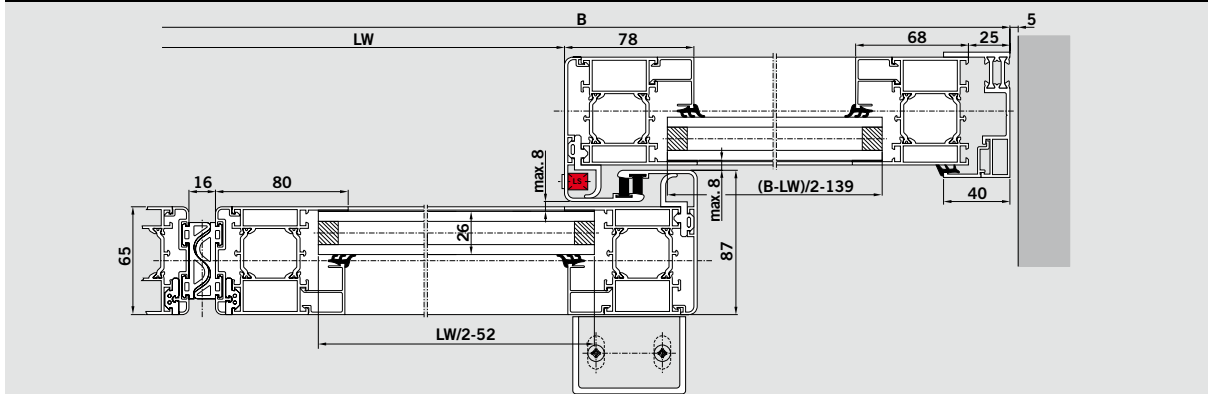
ST-R/Thermo with fanlight



Corridor mounting with side screens, operator 200 mm



Horizontal section with side screens



With MANET single-point fixings for all-glass doors

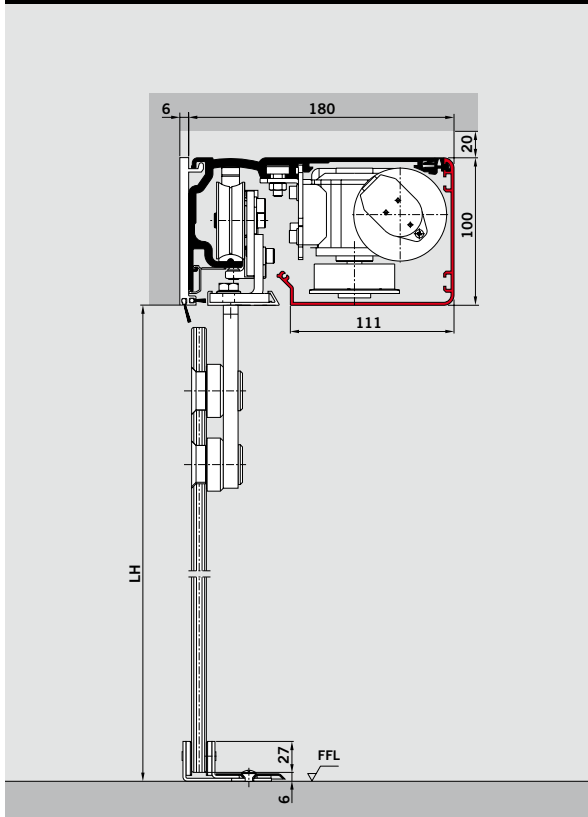
Features

- For interior doors
- Agravic-like design thanks to unobtrusive stainless steel single-point fixings
- Complete range of suitable components, which allow to connect glazing elements in any way to walls, floors and ceilings and to interconnect them

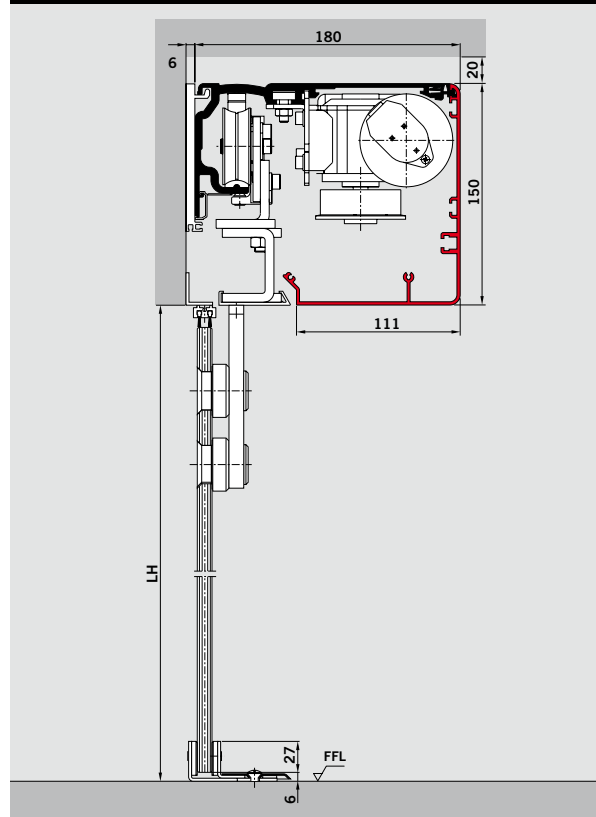
System dimensions and max. door panel weight

| Operator | Single-panel | | Double-panel | |
|---|---|---------------------------|--|---------------------------|
| | System width B | max. door panel weight | System width B | max. door panel weight |
| ES 200 Easy without side screens with side screens | $B = 2 \times LW + 70$ $B = 2 \times LW + 100$ | 1 x 100 kg | $B = 2 \times LW + 140$ $B = 2 \times LW + 140$ | 2 x 85 kg |
| ES 200 without side screens with side screens | $B = 2 \times LW + 70$ $B = 2 \times LW + 100$ | 1 x 200 kg | $B = 2 \times LW + 140$ $B = 2 \times LW + 140$ | 2 x 160 kg |
| ES 200-2D without side screens with side screens | $B = 2 \times LW + 70$ $B = 2 \times LW + 100$ | 1 x 150 kg | $B = 2 \times LW + 140$ $B = 2 \times LW + 140$ | 2 x 130 kg |

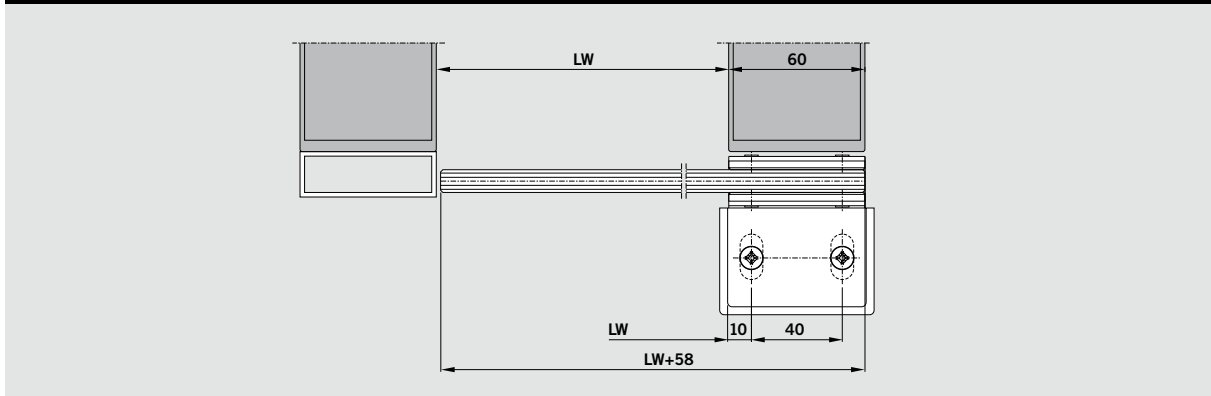
Wall / lintel mounting, operator 100 mm



Wall / lintel mounting, operator 150 mm



Horizontal section of connection profile for door systems that open only to one side



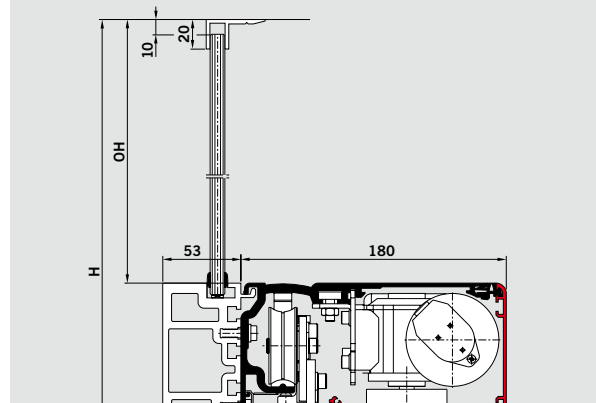
Glass panes

- Toughened safety glass (TSG) 10 mm
- Special glazing

Clear passage height (LH)

Determination of clear passage height LH (mm) depending on the clear passage width LW (mm) and the glazing: see diagrams on page 28/29.

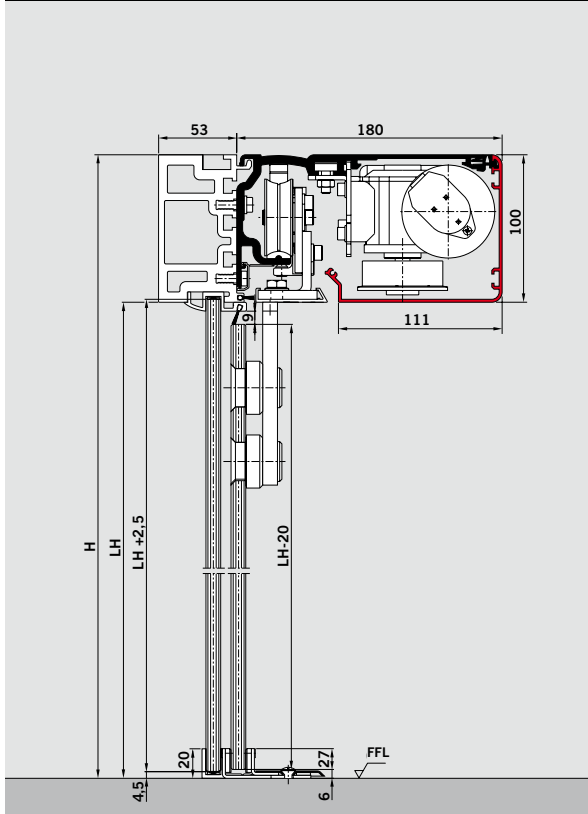
ST-MANET with fanlight



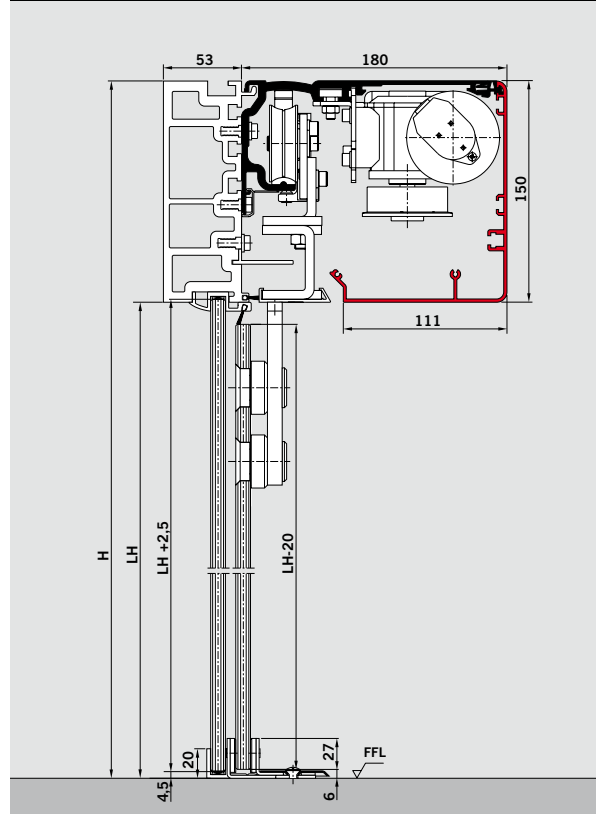
Please consider the limited opening dimensions on application of MANET single-point fixings:

- Single-panel max. clear passage width (LW) = 1600 mm, clear passage height (LH) = 2500 mm
- Double-panel max. clear passage width (LW) = 2000 mm, clear passage height (LH) = 2500 mm.

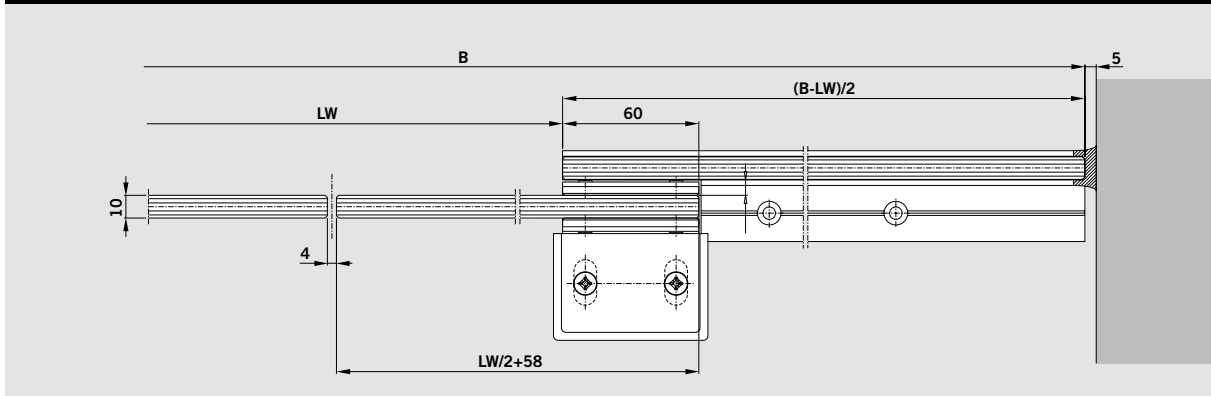
Corridor mounting with side screens, operator 100 mm



Corridor mounting with side screens, operator 150 mm



Horizontal section with side screens



With PURE single-point fixings for full-glass systems

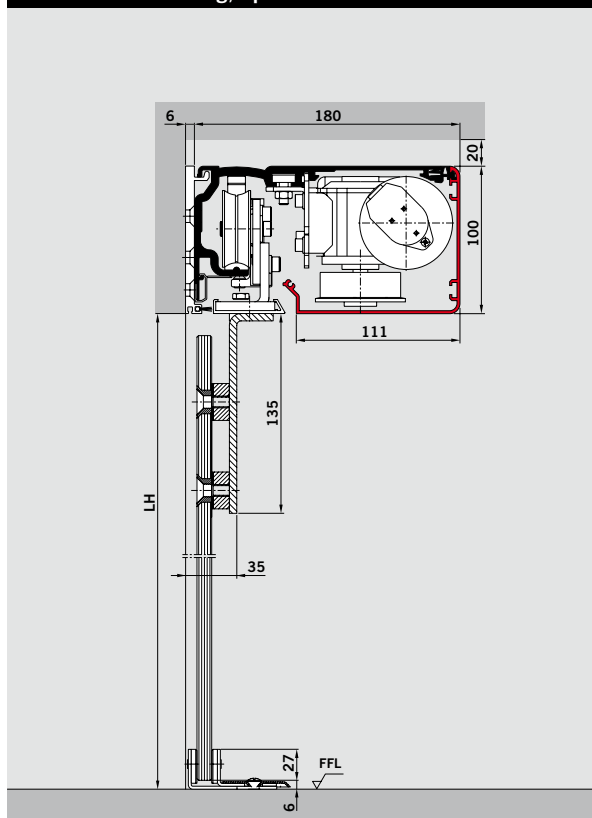
Features

- For interior doors
- Agravic-like design thanks to unobtrusive single-point fixings

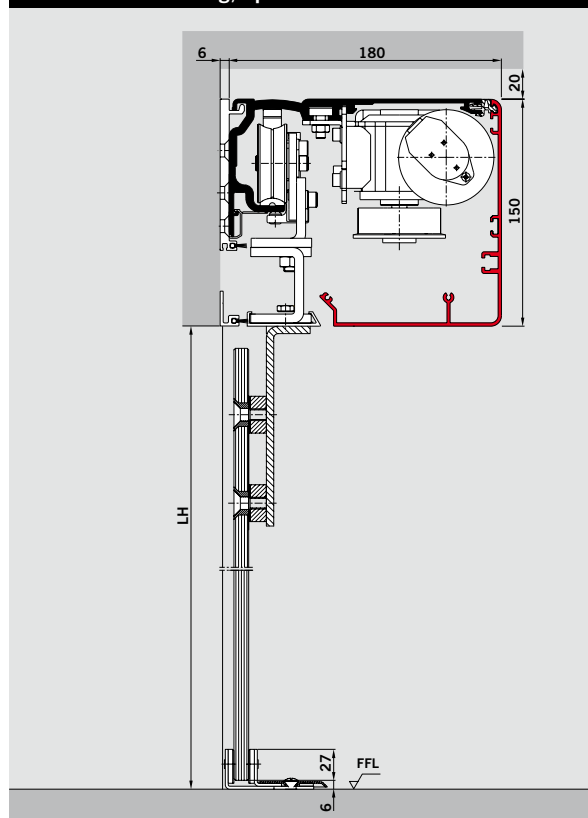
System dimensions and max. door panel weight

| Operator | Single-panel (LW max. 1600) | | Double-panel (LW max. 2000) | |
|---|-------------------------------------|---------------------------|--------------------------------------|---------------------------|
| | System width B | max. door panel weight | System width B | max. door panel weight |
| ES 200 Easy without side screens with side screens | B = 2 x LW + 70 B = 2 x LW + 100 | 1 x 100 kg | B = 2 x LW + 140 B = 2 x LW + 140 | 2 x 85 kg |
| ES 200 without side screens with side screens | B = 2 x LW + 70 B = 2 x LW + 100 | 1 x 100 kg | B = 2 x LW + 140 B = 2 x LW + 140 | 2 x 100 kg |
| ES 200-2D without side screens with side screens | B = 2 x LW + 70 B = 2 x LW + 100 | 1 x 100 kg | B = 2 x LW + 140 B = 2 x LW + 140 | 2 x 100 kg |

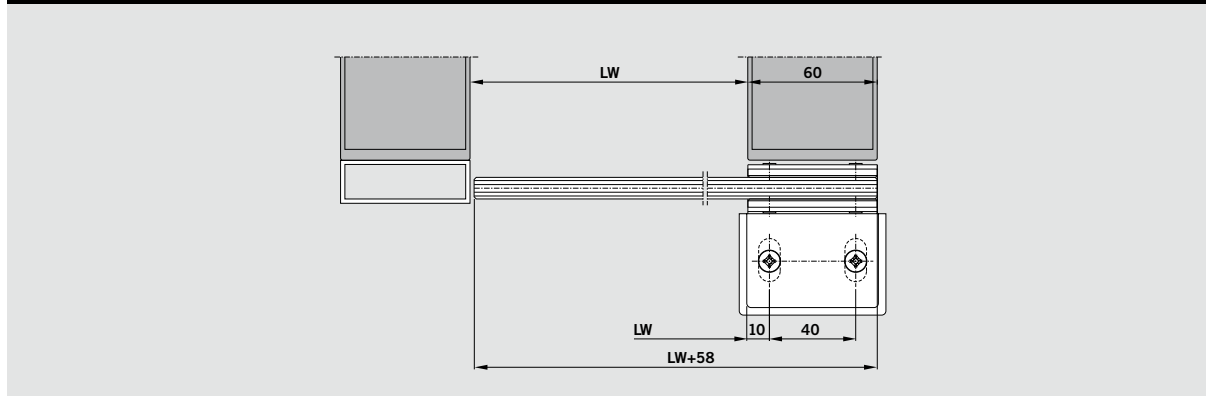
Wall / lintel mounting, operator 100 mm



Wall / lintel mounting, operator 150 mm



Horizontal section of connection profile for door systems that open only to one side



Glass panes

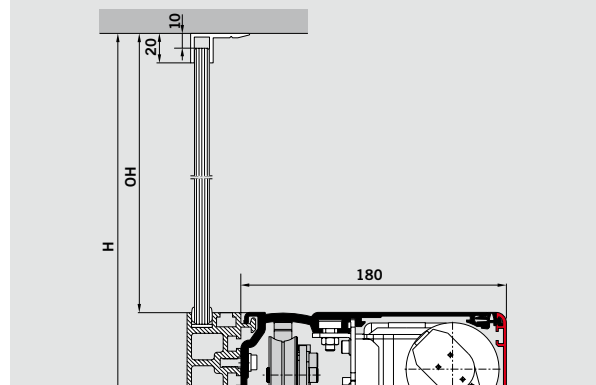
- Toughened safety glass (TSG) 10 mm
- Special glazing

Clear passage height (LH)

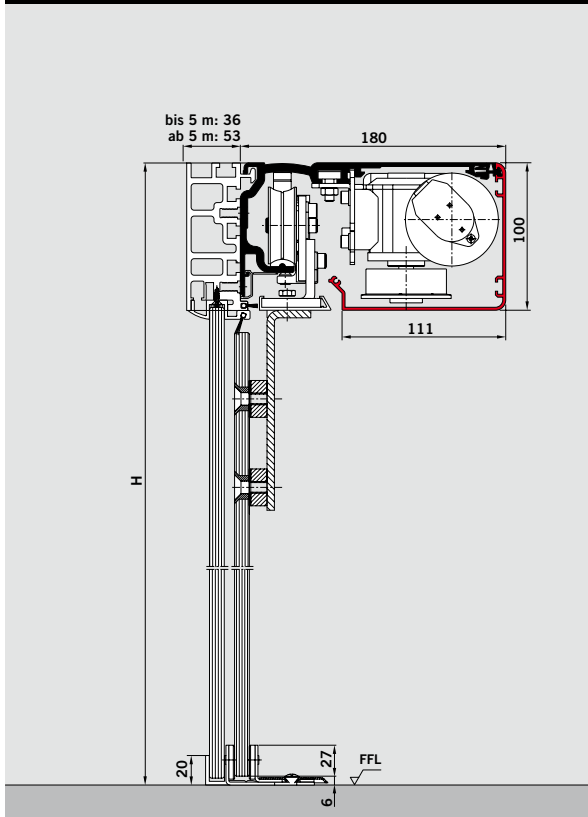
Determination of clear passage height LH (mm) depending on the clear passage width LW (mm) and the glazing: see diagrams on page 28/29.

Please consider the limited opening dimensions on application of in-gate fixings for full-glass systems:
 Single-panel max. clear passage width (LW) = 1200 mm, clear passage height (LH) = 2500 mm
 Double-panel max. clear passage width (LW) = 2000 mm, clear passage height (LH) = 2500 mm.

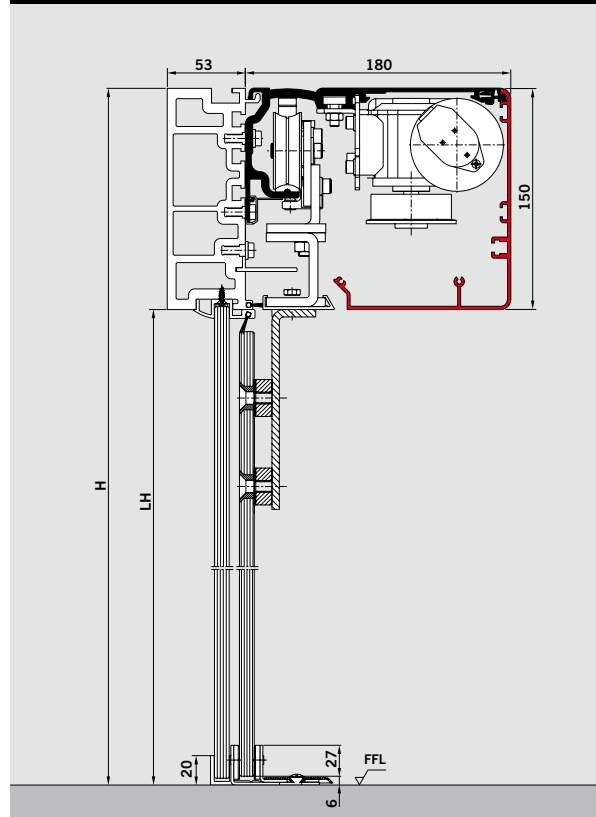
ST all-glass with fanlight



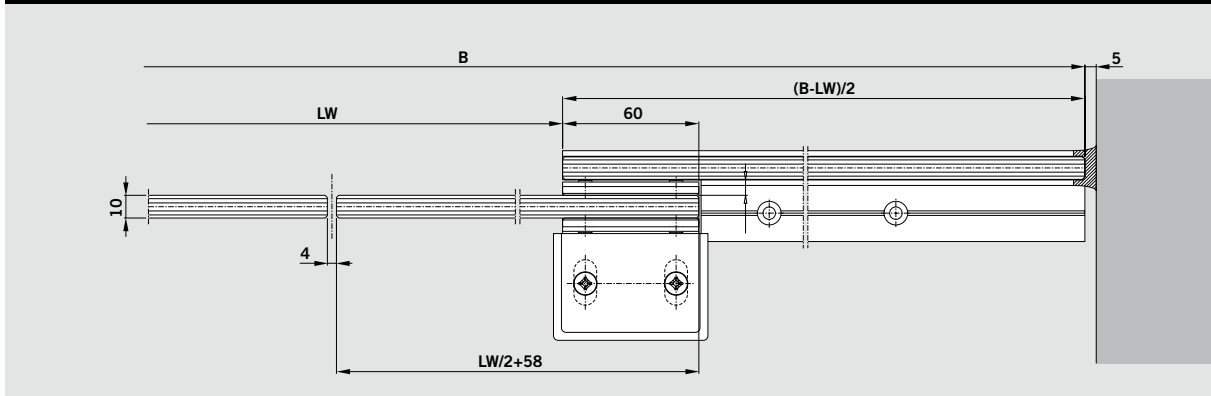
Corridor mounting with side screens, operator 100 mm



Corridor mounting with side screens, operator 150 mm




Horizontal section with side screen



| Door parameter | ES 200 T Easy | ES 200 T | ES 200 T-2D |
|---|-----------------------------|-----------------------------|-----------------------------|
| Double-panel sliding door, opening to one side – Clear passage width LW* – max. door panel weight | 800 – 2400 mm 2 x 50 kg | 800 – 2400 mm 2 x 75 kg | 1000 – 2400 mm 2 x 65 kg |
| 4-panel sliding door, opening to both sides – Clear passage width LW* – max. door panel weight | 1400 – 4000 mm 4 x 43 kg | 1400 – 4000 mm 4 x 75 kg | 1400 – 4000 mm 4 x 65 kg |
| Passage width* | 2100 – 3000 mm | 2100 – 3000 mm | 2100 – 3000 mm |

*Further dimensions on demand

| Designs | ES 200 T Easy | ES 200 T | ES 200 T-2D |
|--|---------------|----------|-------------|
| Profile systems | ● | ● | ● |
| G fine-frame profile | ● | ● | ● |
| FLEX fine-frame profile | ● | ● | ● |
| Full-glass profile with G-ISO double-glazing | ● | ● | ● |
| Frame profile R | ● | ● | ● |
| Elevation height and depth of operator | | | |
| 100 mm x 180 mm | ● | ● | ● |
| 150 mm x 180 mm | ● | ● | ● |
| Floor-integrated floor guide rail | ● | ● | ● |
| Surface-mounted installation without floor guide rail (consider wind load and burglary control) | ○ | ○ | ○ |

| Technical data | ES 200 T Easy | ES 200 T | ES 200 T-2D |
|---|-----------------|-----------------|---|
| Suitable for application in emergency exits and escape routes | – | – |  |
| Maximum opening and closing force 150 N | ● | ● | ● |
| Opening speed (adjustable) | 10 – 50 cm/s | 10 – 75 cm/s | 10 – 75 cm/s |
| Closing speed (adjustable) | 10 – 40 cm/s | 10 – 50 cm/s | 10 – 50 cm/s |
| Hold-open time | 0,5 – 30 s | 0 – 180 s | 0 – 180 s |
| Power supply / frequency | 230 V, 50-60 Hz | 230 V, 50-60 Hz | 230 V, 50-60 Hz |
| Power consumption | 180 W | 250 W | 250 W |
| Class of protection | IP 20 | IP 20 | IP 20 |
| Compliant with the Low Voltage Directive | ● | ● | ● |
| Manufactured to ISO 9001:2000 | ● | ● | ● |

● yes ○ optional – no

| Control unit | ES 200 T Easy | ES 200 T | ES 200 T-2D |
|--|---------------|-------------------|---|
| Modular design | – | Basic module (BM) | Basic module (BM) |
| Microprocessor control | ● | ● | ● |
| Function programs | | | |
| – Off | ● | ● | ● |
| – Automatic | ● | ● | ● |
| – Permanent Open | ● | ● | ● |
| – Partial Open | ● | ● | ● |
| – Exit Only | ● | ● | ● |
| – Night-/Bank Function | ● | ● | ● |
| Automatic reversing | ● | ● | ● |
| Connection for bistable electro-mechanical locking device | ● | ● | ● |
| Connection for light barriers (max. 2 pairs) | ● | ● | ● |
| Setting of basic parameters via integrated display and keys | ● | ● | ● |
| Parameterisation via PDA | – | ● | ● |
| Emergency opening / emergency closing (on application of rechargeable battery pack) | ● / ● | ● / ● | ● / – (rechargeable battery pack as standard) |
| Emergency operation via rechargeable battery pack (on application of rechargeable battery pack) | – | ● | – |
| 24 V DC output for external accessories | ● | ● | ● |
| Read-out error log with error codes | ● | ● | ● |
| DCW*-bus connection | – | ● | ● |

| Function module (FM) – optional | ES 200 T Easy | ES 200 T | ES 200 T-2D |
|---|---------------|----------|-------------|
| Pharmacy Function | – | ● | ● |
| Door status contact (triple) | – | ● | ● |
| Safeguarding of main closing edge and secondary closing edges | – / – | ● / ● | ● / – |
| Panic Closing Function (Abide by prevailing regulations!) | – | ● | ● |
| Bell contact | – | ● | ● |
| Airlock Function | – | ● | – |
| Synchronous operation | – | ● | ● |

| DIN 18650 function module - optional | ES 200 T Easy | ES 200 T | ES 200 T-2D |
|---|---------------|----------|-------------|
| The DIN 18650 function module provides a tested monitoring process for the secondary closing edges for compliance with the German DIN 18650 standard. | – | ● | ● |

| Additional equipment | ES 200 T Easy | ES 200 T | ES 200 T-2D |
|---|---------------|----------|-------------|
| Electro-mechanical locking device (bistable) | ○ | ○ | ○ |
| Manual lock release for electro-mechanical locking device | ○ | ○ | ○ |
| Light barriers | ○ | ○ | ○ |
| Rechargeable battery pack (Emergency opening function / emergency closing function) | ○ | ○ | ● / – |
| DORMA USV emergency power supply unit (external) | ○ | ○ | ○ |
| Module for coupling to LON building control system | – | ○ | ○ |

● standard ○ optional – not included

*DCW: Log DORMA Connect and Work

Fanlights and static side screens are generally available as accessories.

With G fine-frame profiles

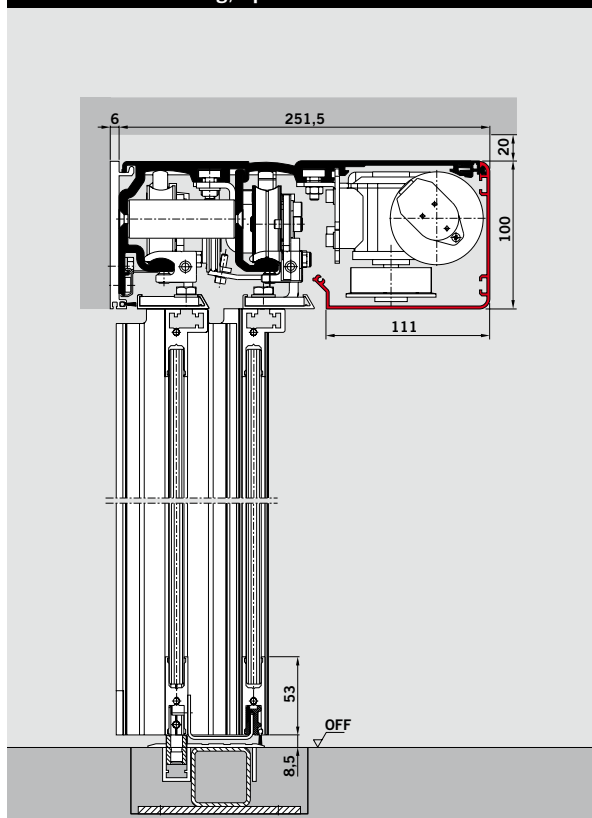
Features

- Elegant fine-frame design
- High stability and torsional rigidity
- Draught protection thanks to side seals

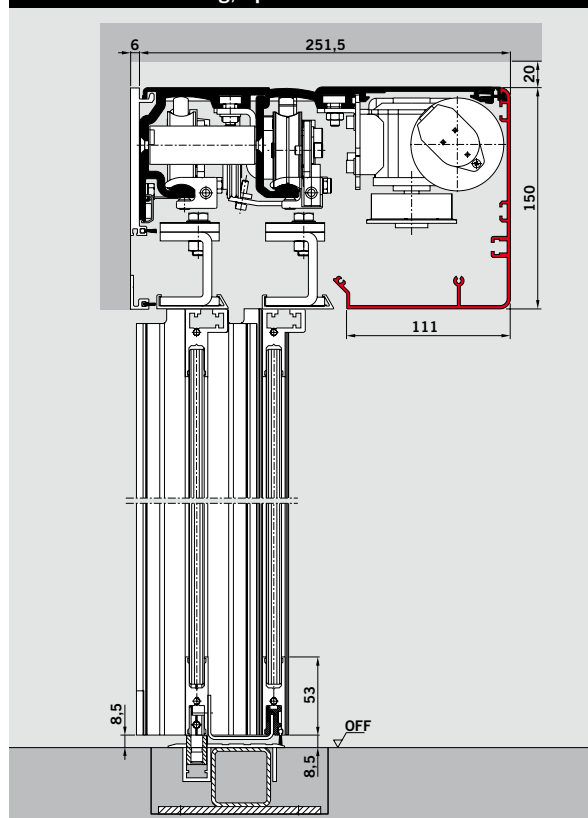
System dimensions and max. door panel weight

| Operator | Single-panel | | Double-panel | |
|----------------------|----------------------|---------------------------|---------------------------|---------------------------|
| | System width B | max. door panel weight | System width B | max. door panel weight |
| ES 200 T Easy | without side screens | $B = 1,5 \times LW + 100$ | $B = 1,5 \times LW + 100$ | 4 x 43 kg |
| | with side screens | $B = 1,5 \times LW + 140$ | $B = 1,5 \times LW + 140$ | 4 x 43 kg |
| ES 200-T | without side screens | $B = 1,5 \times LW + 100$ | $B = 1,5 \times LW + 100$ | 4 x 75 kg |
| | with side screens | $B = 1,5 \times LW + 140$ | $B = 1,5 \times LW + 140$ | 4 x 75 kg |
| ES 200-T-2D | without side screens | $B = 1,5 \times LW + 100$ | $B = 1,5 \times LW + 100$ | 4 x 65 kg |
| | with side screens | $B = 1,5 \times LW + 140$ | $B = 1,5 \times LW + 140$ | 4 x 65 kg |

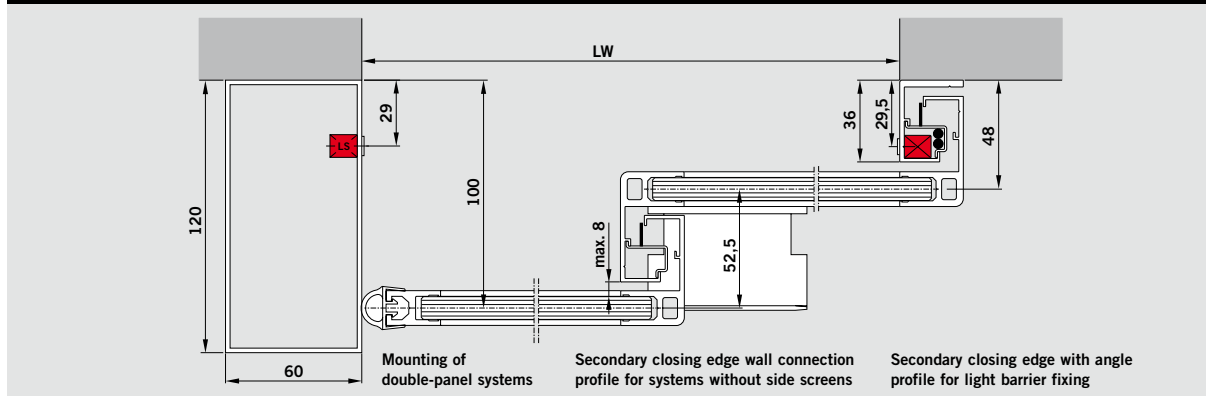
Wall / lintel mounting, operator 100 mm



Wall / lintel mounting, operator 150 mm



Horizontal section of connection profile for door systems that open only to one side



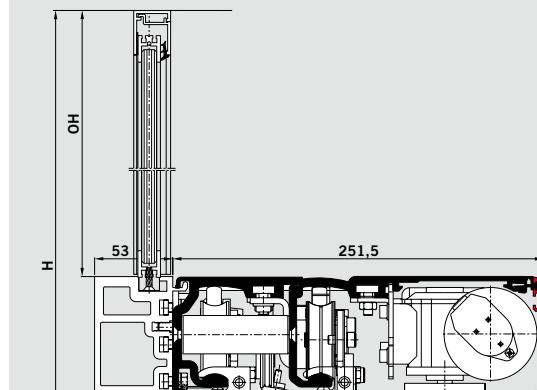
Glass panes

- Toughened safety (TSG) 10 mm
- Laminated safety glass (LSG) 9.6 mm made of toughened safety glass (TSG)
- Special glazing

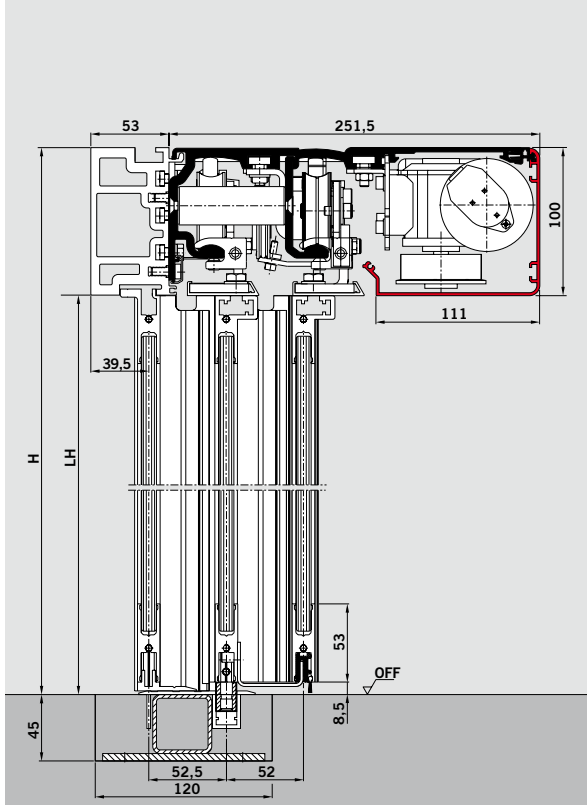
Clear passage height (LH)

Determination of clear passage height LH (mm) depending on the clear passage width LW (mm) and the glazing: see diagrams on page 28/29

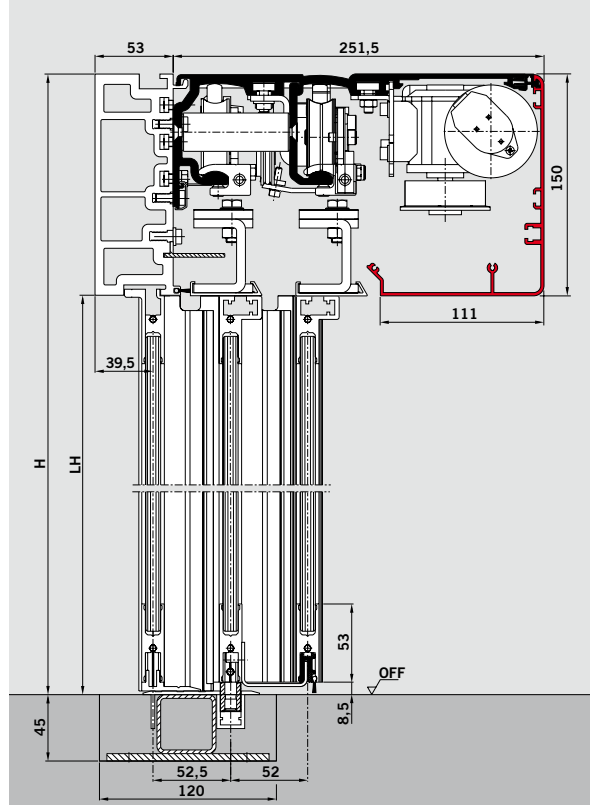
TST-G with fanlight



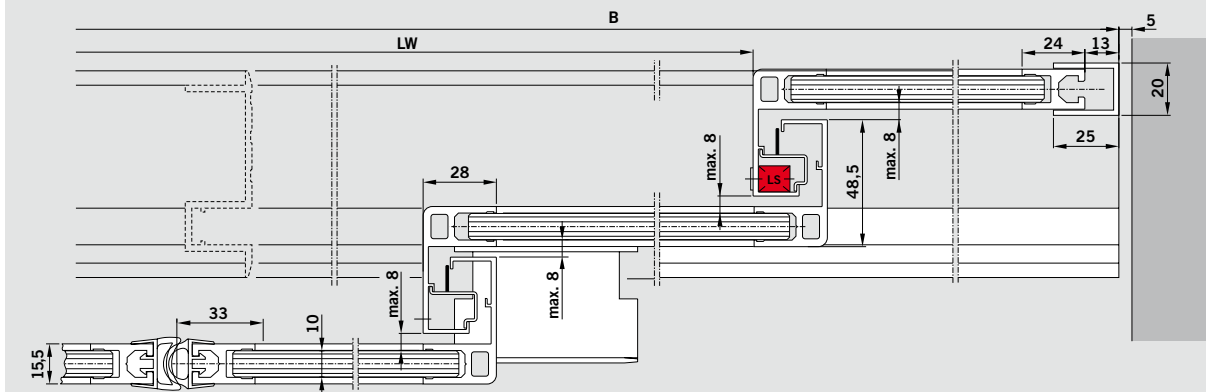
Corridor mounting with side screens, operator 100 mm



Corridor mounting with side screens, operator 150 mm



Horizontal section with side screens



With FLEX fine-frame profiles

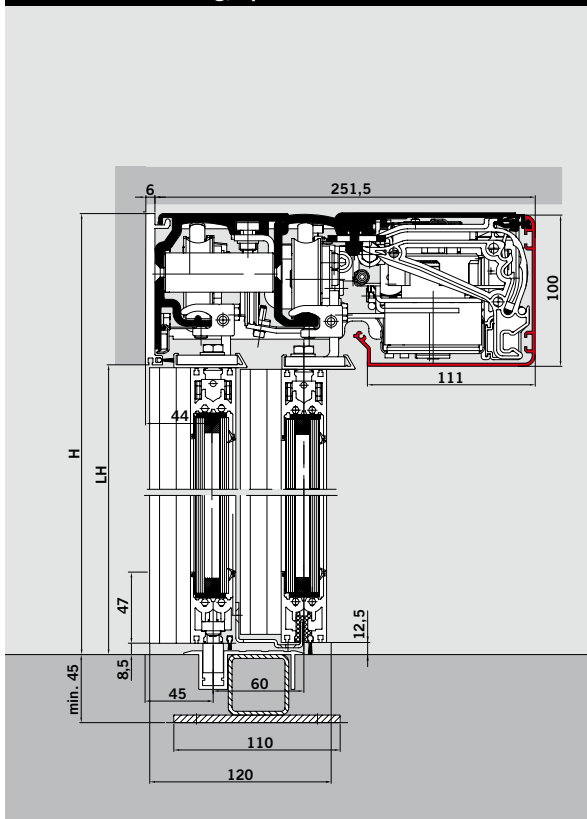
Features

- Attractive glass surfaces thanks to slender frames
- High stability and torsional rigidity
- Low damping behaviour (k-value) of frame due to ISO glazing (double-glazing)
- Excellent insulation features thanks to interlocking side seals and top and bottom seals

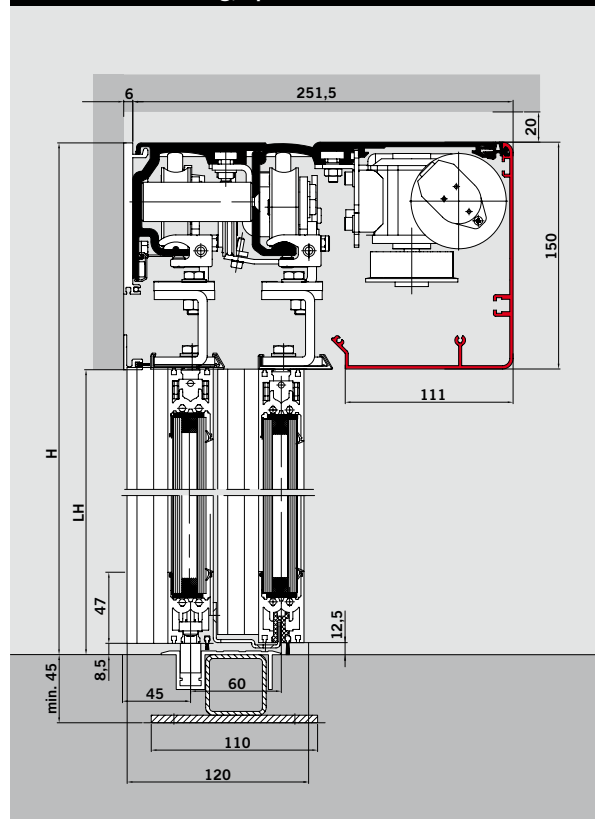
System dimensions and max. door panel weight

| Operator | Single-panel | | Double-panel | |
|----------------------|----------------------|---------------------------|---------------------------|---------------------------|
| | System width B | max. door panel weight | System width B | max. door panel weight |
| ES 200 T Easy | without side screens | $B = 1,5 \times LW + 100$ | $B = 1,5 \times LW + 100$ | 4 x 43 kg |
| | with side screens | $B = 1,5 \times LW + 100$ | $B = 1,5 \times LW + 164$ | 4 x 43 kg |
| ES 200-T | without side screens | $B = 1,5 \times LW + 100$ | $B = 1,5 \times LW + 100$ | 4 x 75 kg |
| | with side screens | $B = 1,5 \times LW + 100$ | $B = 1,5 \times LW + 164$ | 4 x 75 kg |
| ES 200-T-2D | without side screens | $B = 1,5 \times LW + 100$ | $B = 1,5 \times LW + 100$ | 4 x 65 kg |
| | with side screens | $B = 1,5 \times LW + 100$ | $B = 1,5 \times LW + 164$ | 4 x 65 kg |

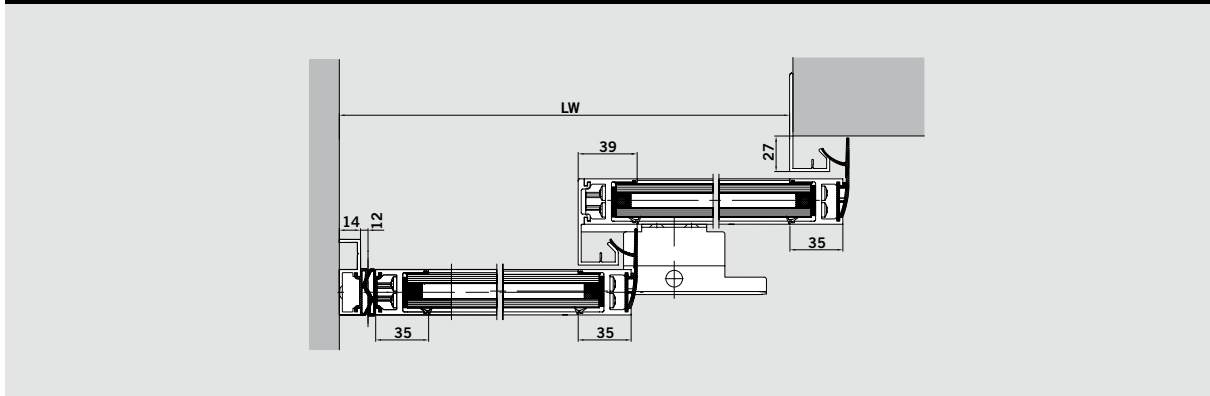
Wall / lintel mounting, operator 100 mm



Wall / lintel mounting, operator 150 mm



Horizontal section of connection profile for door systems that open only to one side



Escape route version. Please consider the prevailing country-specific regulations.

With R frame profiles

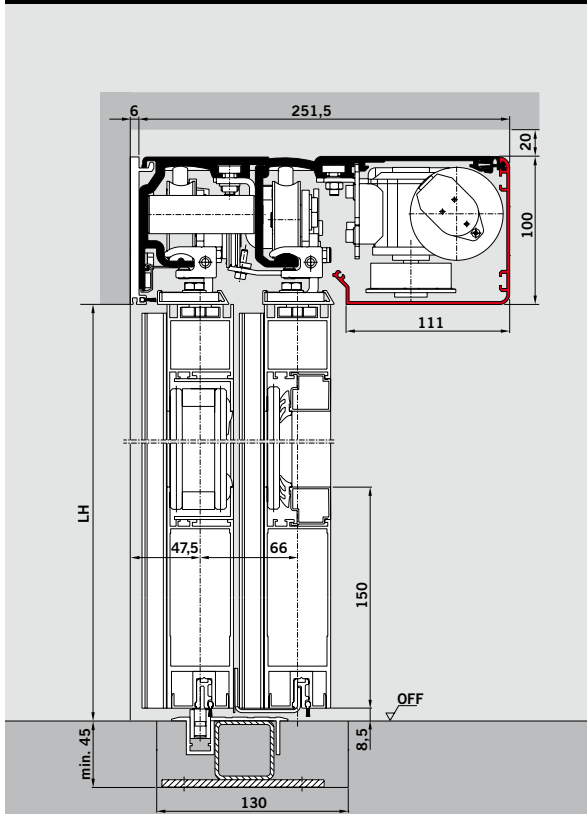
Features

- Robust and reliable frames to protect the glass panes
- High stability and torsional rigidity
- Draught protection thanks to interlocking side seals

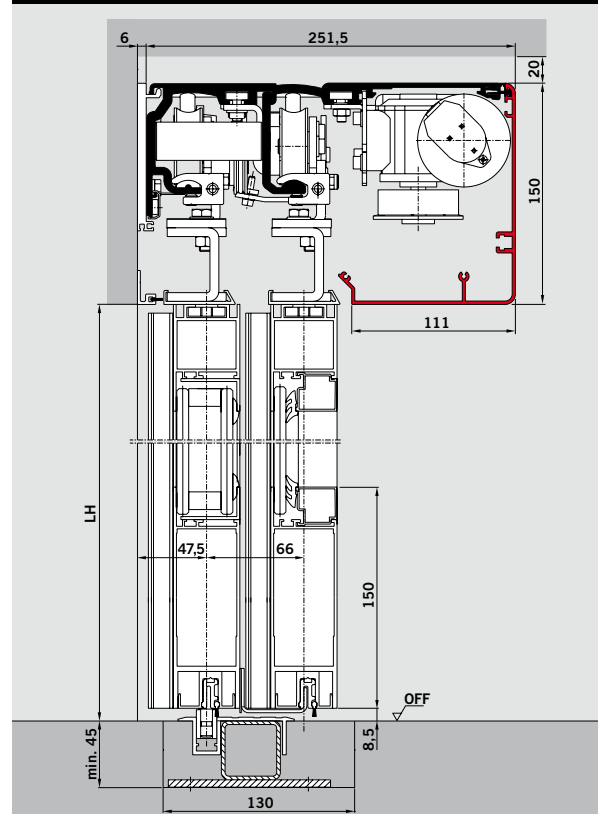
System dimensions and max. door panel weight

| Operator | Single-panel | | Double-panel | |
|----------------------|----------------------|---------------------------|---------------------------|------------------------|
| | System width B | max. door panel weight | System width B | max. door panel weight |
| ES 200 T Easy | without side screens | $B = 1,5 \times LW + 100$ | $B = 1,5 \times LW + 150$ | 4 x 43 kg |
| | with side screens | $B = 1,5 \times LW + 140$ | $B = 1,5 \times LW + 230$ | 4 x 43 kg |
| ES 200-T | without side screens | $B = 1,5 \times LW + 100$ | $B = 1,5 \times LW + 150$ | 4 x 75 kg |
| | with side screens | $B = 1,5 \times LW + 140$ | $B = 1,5 \times LW + 230$ | 4 x 75 kg |
| ES 200-T-2D | without side screens | $B = 1,5 \times LW + 100$ | $B = 1,5 \times LW + 150$ | 4 x 65 kg |
| | with side screens | $B = 1,5 \times LW + 140$ | $B = 1,5 \times LW + 230$ | 4 x 65 kg |

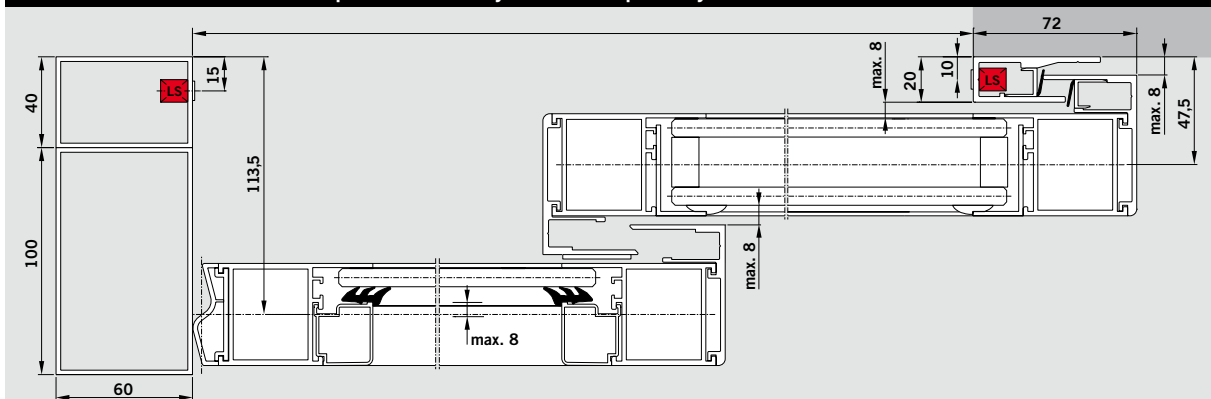
Wall / lintel mounting, operator 100 mm



Wall / lintel mounting, operator 150 mm



Horizontal section of connection profile for door systems that open only to one side



Glass panes

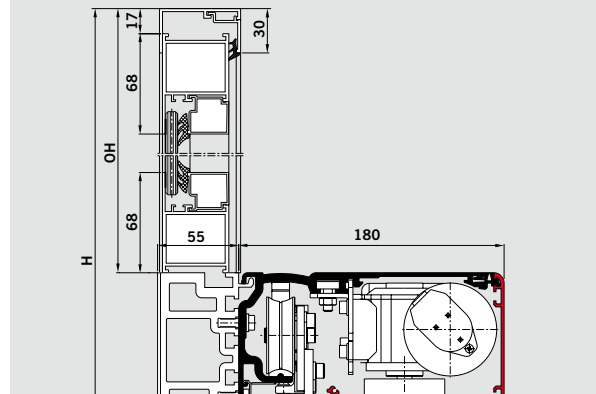
- Toughened safety glass (TSG) 6 mm
- Toughened safety glass (TSG) 8 mm
- Toughened safety glass (TSG) 10 mm
- Laminated safety glass (LSG) 6 mm
- Laminated safety glass (LSG) 8 mm
- Laminated safety glass (LSG) 9 mm, A1
- Laminated safety glass (LSG) 10 mm
- ISO glazing (double-glazing) 5/14/5 mm
- ISO glazing (double-glazing) 6/12/6 mm

■ alternatively ○ optional

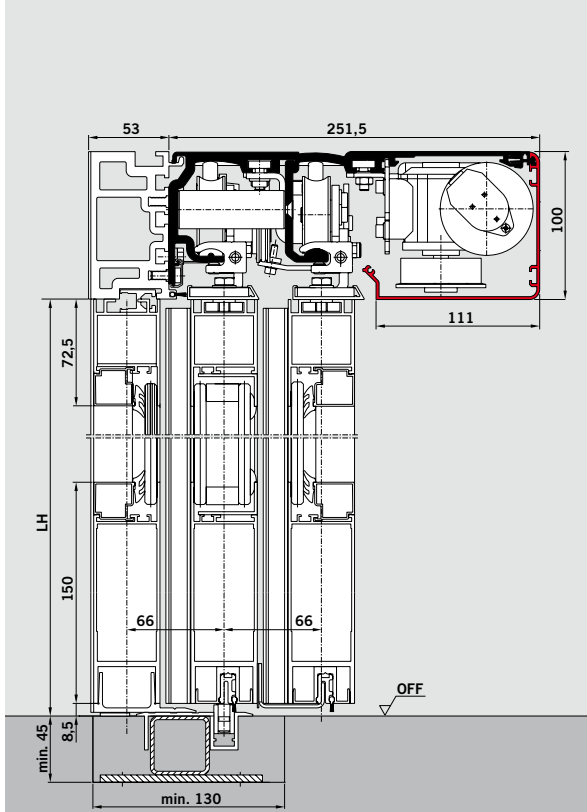
Clear passage height (LH)

Determination of clear passage height LH (mm) depending on the clear passage width LW (mm) and the glazing: see diagrams on page 28/29

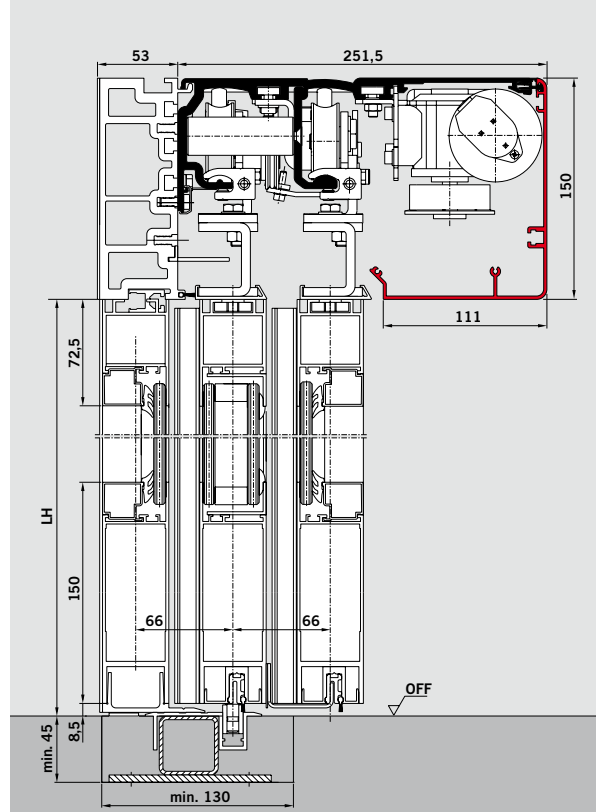
TST-R with fanlight



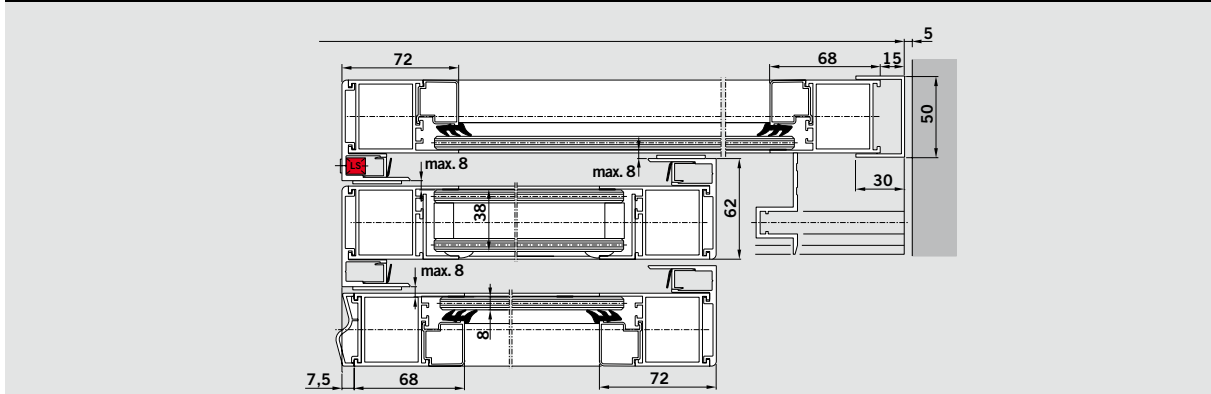
Corridor mounting with side screens, operator 100 mm



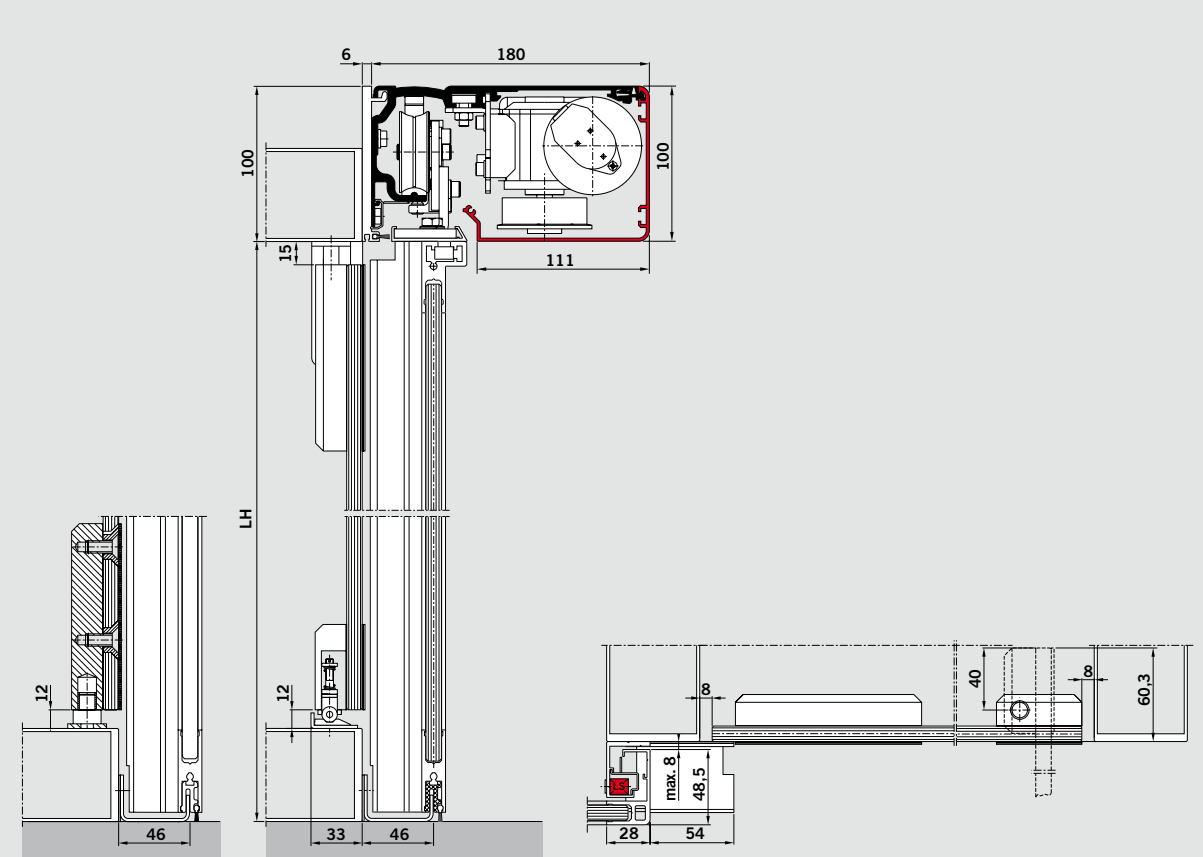
Corridor mounting with side screens, operator 150 mm



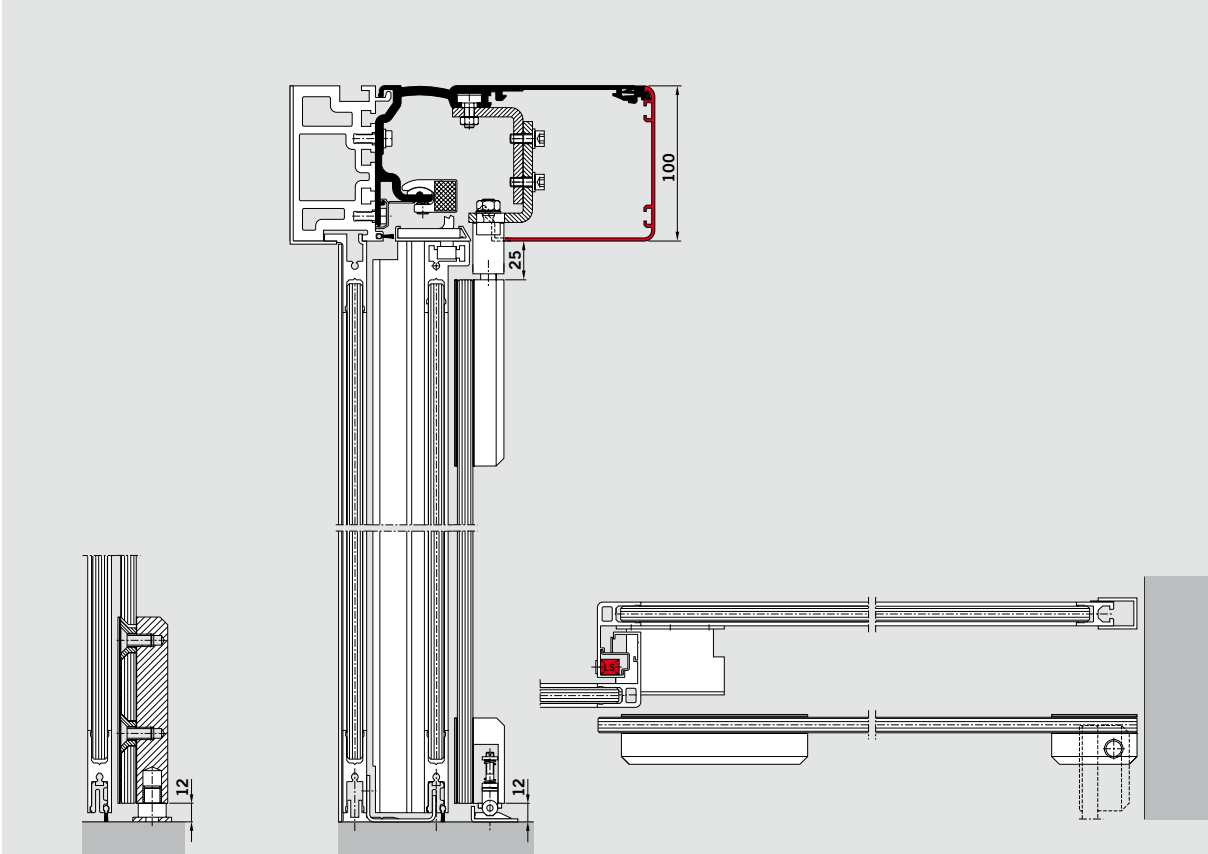
Horizontal section with side screens



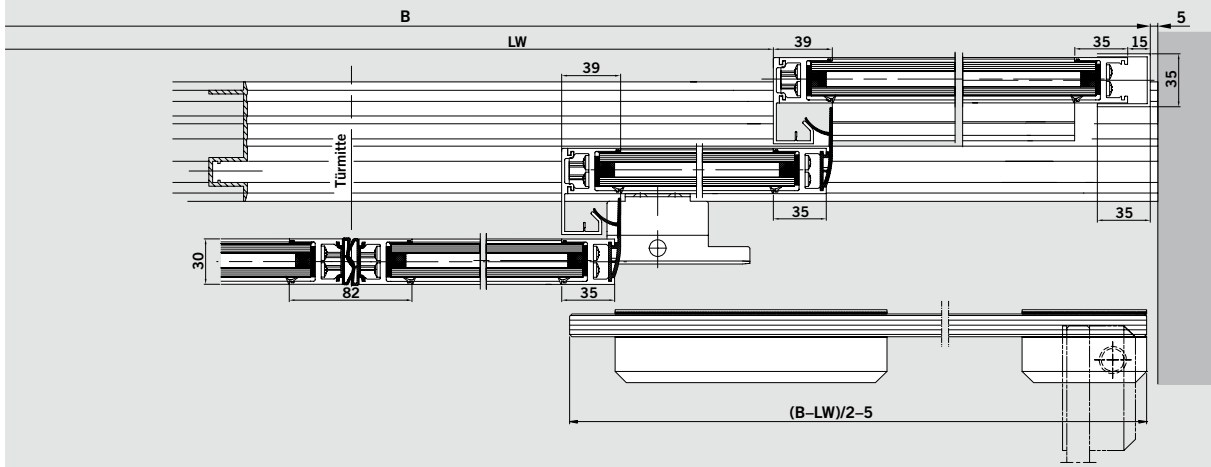
Safety screen latch – post, ST-G



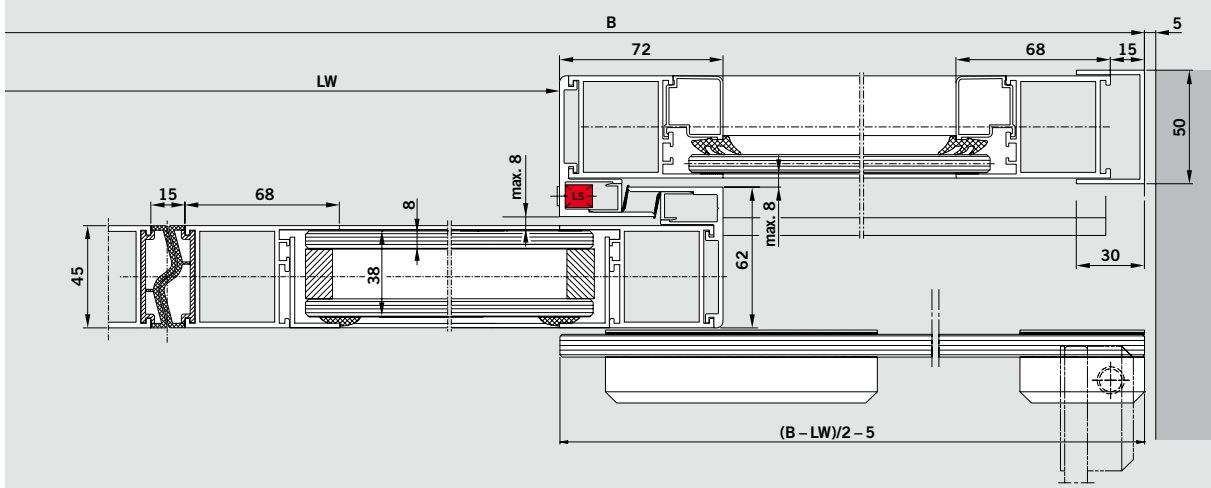
ST-G with internal safety screen



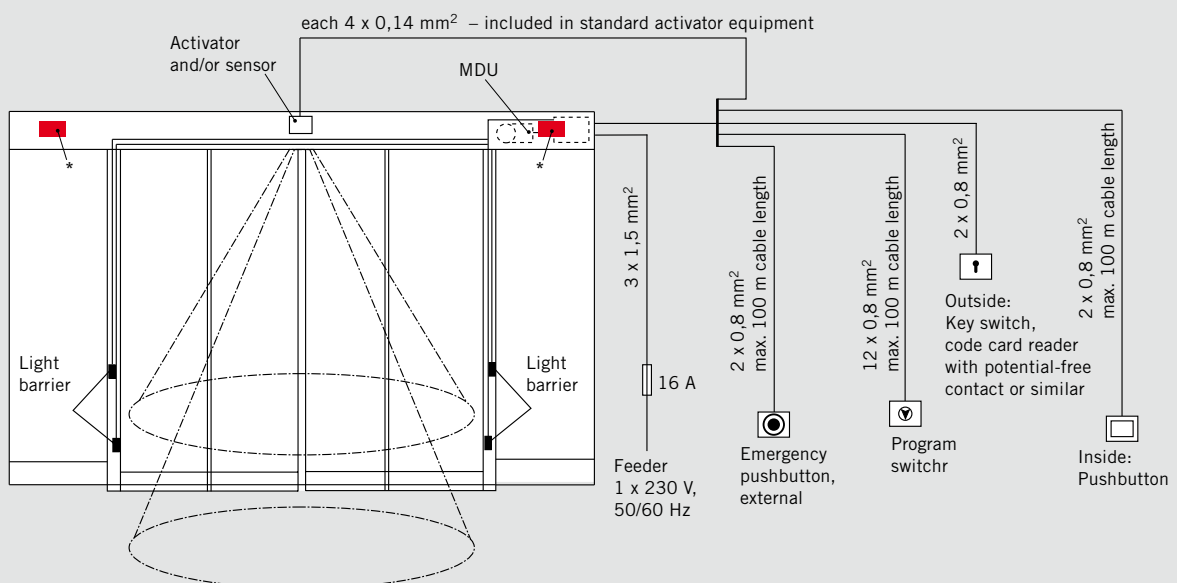
ST-G/ISO with internal safety screen



ST-R with internal safety screen



Connections



Determination of door panel size

The diagrams show the dependence of the clear passage height (LH) from the clear passage width (LW).

The maximum door panel weight of the relevant operators may not be exceeded. In areas with unfavourable wind conditions smaller door sizes are to be installed.

The charts refer to an average door panel weight of 25 kg/m².

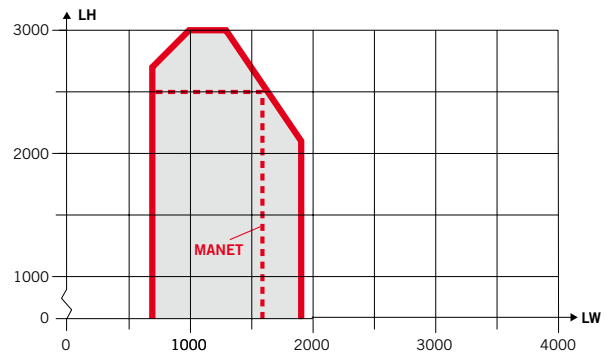
Higher clear passage heights (LH) on demand.

Please consider the limited opening dimensions on application of MANET single-point fixings:

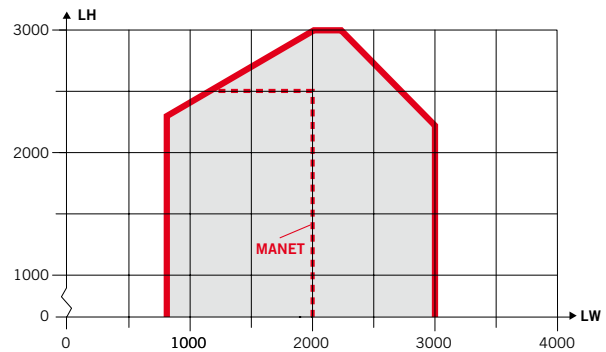
Single-panel max. clear passage width (LW) = 1600 mm,
clear passage height (LH) = 2500 mm

Double-panel max. clear passage width (LW) = 2000 mm,
clear passage height (LH) = 2500 mm.

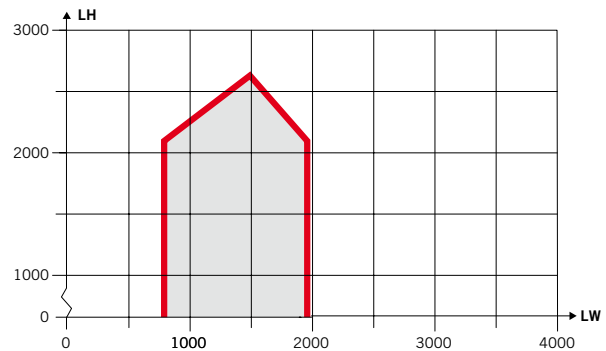
ST-ES 200 Easy single-panel



ST-ES 200 Easy double-panel



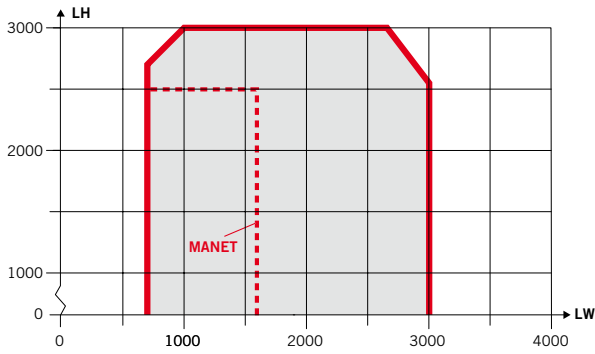
TST-ES 200 Easy double-panel



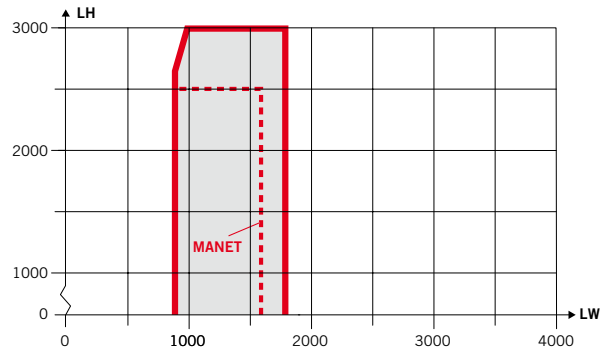
TST-ES 200 Easy 4-panel



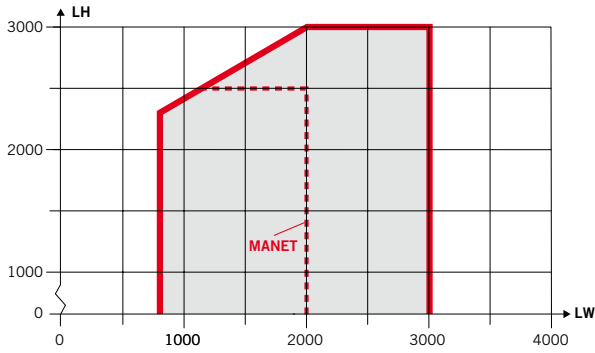
ST-ES 200 single-panel



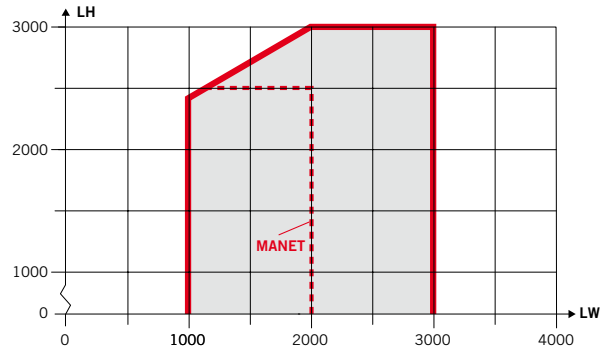
ST-ES 200 2D single-panel



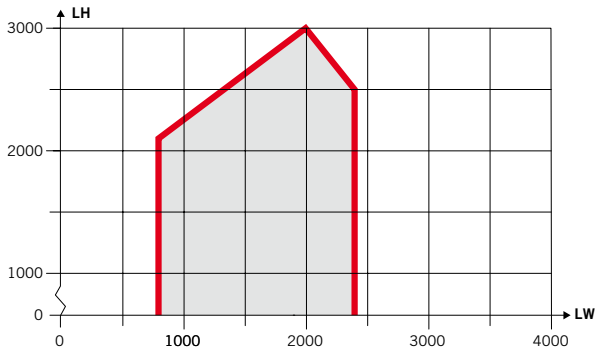
ST-ES 200 double-panel



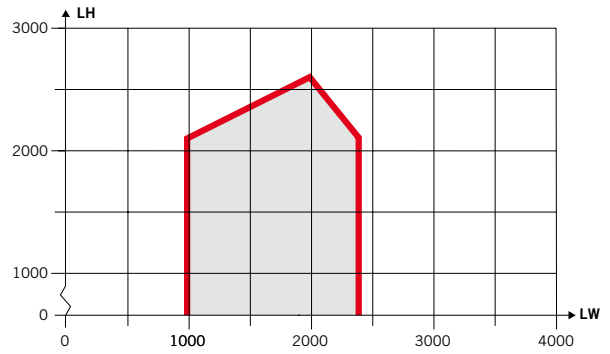
ST-ES 200 2D double-panel



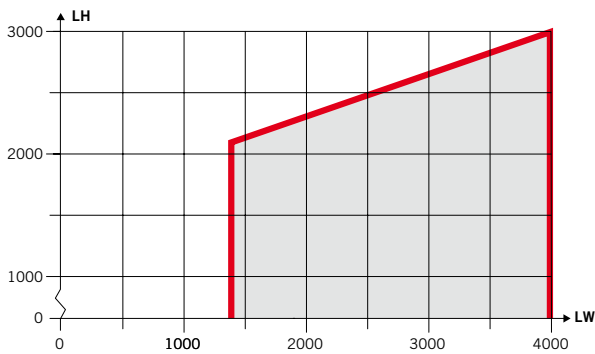
TST-ES 200 double-panel



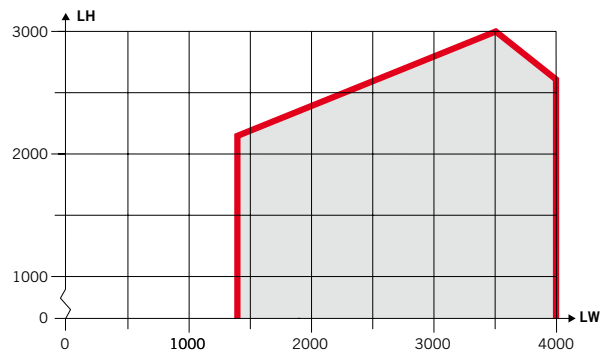
TST-ES 200 2D double-panel



TST-ES 200 4-panel



TST-ES 200 2D 4-panel



Program switch

When combining the system with a program switch out of the DORMA accessory range, the automatic door system meets individual requirements and offers easy handling.

These program switches are available in various designs have been conceived for all kinds of demands.

Furthermore they offer various options, from a mechanical to a full-electronic version alternatively also lockable via Euro profile half-cylinder or in a full-electronic way via code.

- Up to 5 different functions: Off, Automatic, Exit Only, Partial Open, Permanent Open
- Electronic program switches in System 55 design to cope with the highest aesthetic demands



Program switches for sliding door operators

| Designation | Specification | Installation system | Order No. |
|----------------------------------|--|---------------------|-------------|
| PG-S1 | 5-position, aluminium, white, UP, 80 x 80 x 40 mm | Gira S-Color | 19135401150 |
| PG-S2 | 5-position, lockable, aluminium, white, flush-mounting, 80 x 80 x 40 mm | Gira S-Color | 19135602150 |
| PG-FST2* | 5-position, lockable via Euro profile half-cylinder, also suitable for FST systems, aluminium, white, for flush-mounting, 105 x 80 x 65 mm Box for surface-mounting: 19142201170 | Deutsche Solenoid | 19135602150 |
| EPS-S | Full-electronic program switch in System 55 design, 5-position, lockable via code or additional key switch TL-ST S55, membrane keypad, aluminium-coloured, white, flush-mounting, 80 x 80 mm | System 55 | 16556901150 |
| For header installation** | 5-position, lockable, also suitable for FST systems | | 25006014150 |
| PS-FST3 | | | |

* Illustration see below ** no illustration

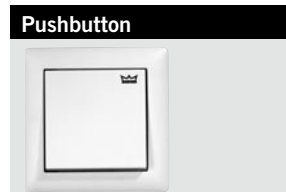
Program switches for sliding door operators in emergency exits and escape routes (FST)



| Designation | Specification | Installation system | Order No. |
|---------------------------------|--|---------------------|-------------|
| PG-FST1 | 5-position, lockable, aluminium, white, flush-mounting, 80 x 80 mm | Gira S-Color | 19135603150 |
| PG-FST2 | 5-position, lockable via Euro profile half-cylinder, white, aluminium, flush-mounting, 105 x 80 x 65 mm, (see page 11) Box for surface-mounting: 19142201170 | Deutsche Solenoid | 19142001170 |
| EPS-FST | Full-electronic program switch in System 55 design, 5-position, lockable via code or additional key switch TL-ST S55, membrane keypad, white, aluminium-coloured, flush-mounting, 80 x 80 mm | System 55 | 16556801150 |
| For header installation* | 5-position, lockable | | 25006014150 |
| PS-FST3 | | | |

* no illustration

Pushbuttons



Pushbutton

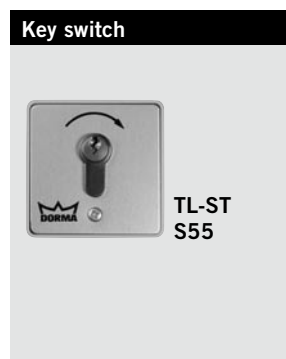
| Designation | Specification | Installation system | Order No. |
|-------------------|---|---------------------|-------------|
| Pushbutton | Single-pole changeover contact, standard frame, white, flush-mounting | System 55 | 19144701170 |

Key switches



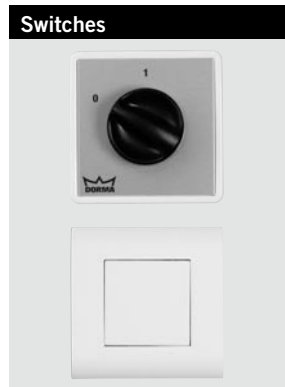
| Designation | Specification | Order No. |
|------------------|--|-------------|
| KT 3-1 | 1 NO contact, with Euro profile half-cylinder (can be replaced by any half-cylinder of a master-key system), key only retractable in neutral position, aluminium, metal, 75 x 75 x 60 mm | |
| KT 3-1 UP | flush-mounting | 05054531332 |
| KT 3-1 AP | surface-mounting | 05054631332 |
| KT 8 | Lettering "Auf, Zu" (German for "Open/Closed"), 2 NO contacts, with Euro profile half-cylinder (can be replaced by any master-key system half-cylinder), key only retractable in neutral position, aluminium, metal, 75 x 75 x 60 mm | |
| KT 8 UP | flush-mounting | 05054831332 |
| KT 8 AP | surface-mounting | 05054931332 |

Key switch TL-ST key switch out of STA range



| Designation | Specification | Installation system | Order No. |
|--------------------|--|---------------------|-----------|
| TL-ST S55 | Switch with single-pole changeover contact, for Euro profile half-cylinder by others to DIN 18252, locking cam centre 30 – 32.5 mm, overall length 40.5 – 43,5 mm, Locking cam position left (90°), incl. cover for System 55, not suitable for box for surface-mounting, not including Euro profile half-cylinder, not including frame | | |
| TL-ST S55 W | white | System 55 | 56330710 |
| TL-ST S55 S | silver | System 55 | 56330701 |
| TL-ST S55 A | anthracite | System 55 | 56330715 |

Switches



Switches

| Designation | Specification | Installation system | Order No. |
|-----------------|--|---------------------|-------------|
| On / Off switch | white, aluminium, flush-mounting, 80 x 80 mm | Gira S-Color | 19135403150 |
| Radar switch | „MAGIC SWITCH“, proximity-type radar switch responds to movement, for flush-mounting, 80 x 80 mm | | 05076831332 |

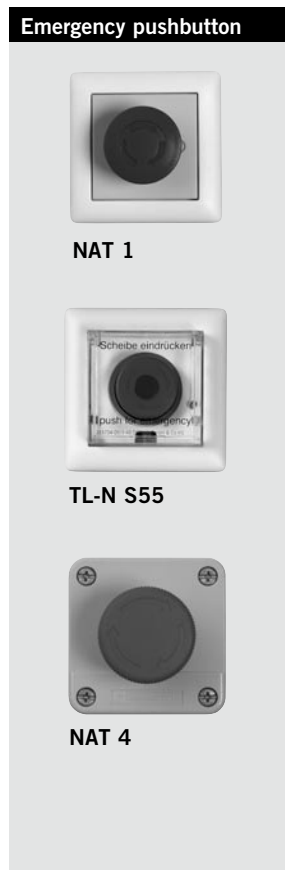


Key switches

| Designation | Specification | Order No. |
|-------------|--|-------------|
| KT 3-2 | 1 NO contact with Euro profile half-cylinder, can be replaced by any master key system half-cylinder, key only retractable in neutral position, interchangeable cover, lettering "Ein, Aus" (German for "On/Off"), aluminium, for flush-mounting: 125 x 100 mm, for surface-mounting: 70 x 90 mm | 05054731332 |
| KT 3-2.1* | 2 changeover contacts, with Euro profile half-cylinder, replaceable by any master key system half-cylinder, key only retractable in neutral position, lettering "Ein, Aus" (German for "On/Off"), aluminium, for flush-mounting: 125 x 100 mm, for surface mounting: 70 x 90 mm | 05032631332 |

*no illustration

Emergency pushbuttons




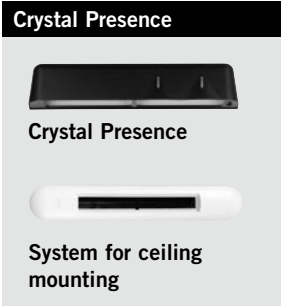
| Designation | Specification | Installation system | Order No. |
|---|--|---------------------|-------------|
| To interrupt the automatic movement of the door. Emergency pushbutton (Function: Emergency Off) for automatic door operators. Manufactured according to ZH 1/494 (German Guidelines for power-operated windows, doors and gates) and BGR 232 (German Employer's Liability Insurance Association Rule) as well as DIN 18650 (German Industrial Standard). Red knob with yellow centre insert. Maximum load current: 10 A at 230 V AC. | | | |
| NAT 1 | NO contact: 1, NC contact: 1, white frame, flush-mounting, 80 x 80 mm | System 55 | 90400025 |
| NAT 2* | Function: "Emergency Open" with green knob, NO contact: 1, NC contact: 1, Maximum load current: 10 A at 230 V AC, white frame, flush-mounting, 80 x 80 mm | System 55 | 90400035 |
| Highly-illuminated emergency pushbutton environment with visual locking status indication, optical and acoustic alarm via yellow flashlight and integrated alarm siren, sabotage-proof, behind glass, not including frame | | | |
| TL-N S55 | NO contact: 1, NC contact: 1, Maximum load current: 1 A at 24 V DC, flush-mounting, 80 x 80 mm | System 55 | 56330500 |
| NAT 3* | Behind glass, NO contact: 1, NC contact: 1 for flush-mounting, 120 x 87 mm | | 90400023 |
| NAT 4 | NO contact: 1, NC contact: 1, for surface-mounting, 68 x 68 mm | | 05027031332 |


* no illustration

Infrared detectors

These detectors are designed to safeguard automatic doors by detecting moving people or objects




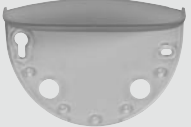


| Light barriers | | |
|--|--|-------------|
| Designation | Specification | Order No. |
|  <p>LB 03</p> | To safeguard the passage area of sliding doors by detecting the presence of people and objects | |
| | LB 03 Counter light barrier comprising transmitter and receiver | 05102331332 |

| Crystal Presence | | |
|--|--|-------------|
| Designation | Specification | Order No. |
|  <p>Crystal Presence</p> <p>System for ceiling mounting</p> | <ul style="list-style-type: none"> – For improved protection of passage areas and secondary closing edges of sliding doors – Designed to detect the presence of people and objects | |
| | Crystal Presence Presence detection curtain for improved protection thanks to exactly adjustable detection range, black | 16504301170 |
| | System for ceiling mounting for Crystal Presence, white | 05094731332 |

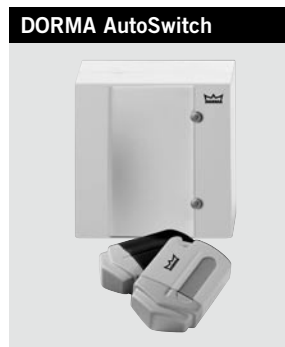
| Combined sensors | | |
|--|---|-------------|
| Designation | Specification | Order No. |
|  <p>Activ8.2</p> <p>Jupiter</p> | To activate (open) and protect automatic sliding doors This system is designed to substitute light barriers with the aid of an integrated active infrared function. This combined sensor opens sliding doors via radar and protects the main and secondary closing edges via an active infrared system. | |
| | Activ8.2 Direction recognition, black | 16518301170 |
| | Activ8.3-N Direction recognition, self-monitoring, suitable for application on FST doors (fire and smoke doors), black | 16555001170 |
| | Jupiter Direction recognition with cross-traffic suppression, black | 16563201170 |
| | Jupiter SE Direction recognition with cross-traffic suppression, self-monitoring, suitable for application on FST doors (fire and smoke doors), black | 16563301170 |

| Art Motion | | |
|---|---------------|-------------|
| Designation | Specification | Order No. |
|  | White | 16614703170 |
| | Silver | 16614702170 |
| | Black | 16614701170 |

Radar motion detectors

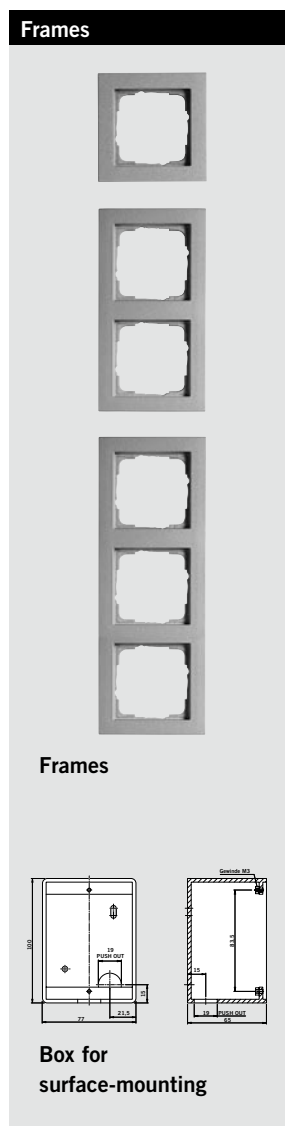
| Designation | Specification | Colour | Order No. |
|--|---|-------------|-------------|
| Radar motion detectors | | | |
|  | The user-friendliness of automatic doors depends a lot on what kind of activator is used and its construction. The DORMA sensor range combines the flexibility that is required for the different fields of application with reliability and the highest level of user friendliness. Furthermore it effectively detects moving people or objects in order to activate (open) automatic doors. | | |
| Eagle | | | |
|  | | | |
| Merkur | | | |
|  | | | |
| System for ceiling installation Eagle | | | |
|  | | | |
| Rain protection cover Eagle | | | |
|  | | | |
| Special bracket (Eagle) | | | |
|  | | | |
| System for ceiling installation (Merkur) | | | |
| Standard motion detectors | | | |
| Eagle 2 | Standard | black | 16503201170 |
| | | white | 16503203170 |
| | | silver | 16507502170 |
| Merkur M | Standard | black | 16537501170 |
| Motion detectors with direction recognition | | | |
| Direction recognition for perfectly controlled opening and closing cycles. | | | |
| Eagle 1 | Direction recognition | black | 16503101170 |
| | | white | 16503103170 |
| | | silver | 16503102170 |
| Merkur | Cross-traffic suppression with direction recognition | black | 16532201170 |
| Self-monitoring motion detector (FST application – for door with application in emergency exits and escape routes) | | | |
| Radar motion detector for doors in emergency exits and escape routes with self-monitoring function and electronics in redundant design | | | |
| Eagle 3-N | Self-monitoring, direction recognition | black | 1655161170 |
| | | white | 1655163170 |
| | | silver | 1655162170 |
| Merkur SE/R | Self-monitoring, direction recognition with cross traffic suppression | black | 16532201170 |
| Accessories for Eagle detectors | | | |
| | System for ceiling mounting | white | 16502901170 |
| | Rain protection cover | transparent | 05090731332 |
| | Infrared remote control to adjust all radar motion detectors | black | 16503001170 |
| | Special bracket, for projections of up to 500 mm | black | 19138903150 |
| Accessories for Merkur-type detectors | | | |
| | System for ceiling installation (Merkur) | white | 05102231332 |

DORMA AutoSwitch transponder



| Designation | Specification | Order No. |
|---|---|-------------|
| The "active" transponder system. The transponder sends a pulse to the control unit as soon as it enters the receiver range, which amounts to approx. 2.5 m. This system is especially suitable for areas where a manual operation of the system is to be excluded. Thanks to its range, it is the perfect access control system for doors used by wheelchair drivers. | | |
| DORMA AutoSwitch | Receiver/control unit, surface-mounted version, white | 16571101175 |
| | Programming-(Transponder-) key, yellow | 16571201175 |
| | Standard-(Transponder-) key, blue | 16571301175 |

Frames and boxes for surface-mounted pushbuttons and switches



| Designation | Specification | All dimensions in mm (W x H x D) | Installation system | Order No. |
|--|---------------------------------------|----------------------------------|---------------------|-----------|
| System 55 Cover frame (STA range) | | | | |
| FR-S55 1 | Single-type frame, Standard 55, white | 80.7 x 80.7 | System 55 | 56391110 |
| FR-S55 2 | Double-type frame, Standard 55, white | 151.8 x 80.7 | System 55 | 56391210 |
| FR-S55 3 | Triple-type frame, Standard 55, white | 223.3 x 80.7 | System 55 | 56391310 |
| E2 range | | | | |
| FR-E2W 1 | Single-type frame, E2 55, white | 80.8 x 80.8 | System 55 | 56392110 |
| FR-E2W 2 | Double-type frame, E2 55, white | 151.9 x 80.8 | System 55 | 56392210 |
| FR-E2W 3 | Triple-type frame, E2 55, white | 223.4 x 80.8 | System 55 | 56392310 |
| E2 range (Silver) | | | | |
| FR-E2S 1 | Single-type frame, E2 55, silver | 80.8 x 80.8 | System 55 | 56392101 |
| FR-E2S 2 | Double-type frame, E2 55, silver | 151.9 x 80.8 | System 55 | 56392201 |
| FR-E2S 3 | Triple-type frame, E2 55, silver | 223.4 x 80.8 | System 55 | 56392301 |
| E2 range (Anthracite) | | | | |
| FR-E2A 1 | Single-type frame, E2 55, anthracite | 80.8 x 80.8 | System 55 | 56392115 |
| FR-E2A 2 | Double-type frame, E2 55, anthracite | 151.9 x 80.8 | System 55 | 56392215 |
| FR-E2A 3 | Triple-type frame, E2 55, anthracite | 223.4 x 80.8 | System 55 | 56392315 |

Please see STA price list for further frames and versions.

| Designation | Specification | All dimensions in mm (W x H x D) | Installation system | Order No. |
|--|---|----------------------------------|---------------------|-------------|
| System 55 Boxes for surface-mounting for Standard 55 frames | | | | |
| ST-AP 55-1* | Single-type frame, pure white, RAL 9010 | 81.0 x 52.5 x 44.5 | System 55 | 515853332 |
| ST-AP 55-2* | Double-type frame, pure white, RAL 9010 | 152.0 x 81.0 x 44.5 | System 55 | 515863332 |
| ST-AP 55-3* | Triple-type frame, pure white RAL 9010 | 224.0 x 81.0 x 44.5 | System 55 | 515873332 |
| Box for surface-mounting | For mechanical program switch PG-FST2 with Euro profile half-cylinder | | Deutsche Solenoid | |
| | Single-type frame, white | 100 x 80 x 65 | | 19142201170 |

* no illustration

DORMA GmbH + Co. KG
DORMA Platz 1
D-58256 Ennepetal
Phone +49 2333/793-0
Fax +49 2333/793-495

Automatic Division worldwide

Region Australasia

Australia
DORMA Automatics Pty. Ltd.
Phone +61 3 97964111
www.dorma.com.au

New Zealand
DORMA Automatics Pty. Ltd.
Phone +61 3 97964111
www.dorma.com.au

Region Central Europe

Belgium
DORMA foquin N.V./S.A.
Phone +32 50 312849
www.dorma.be

Germany
DORMA Automatic
GmbH + Co. KG
Phone +49 2333 793-0
www.dorma.de

Luxembourg
Luxembourg Subsidiary
Automatic
Phone +49 2333 793-216
www.dorma.de

Netherlands
DORMA van Duin Nederland
BV
Phone +31 488 418 100
www.dorma.nl

Switzerland
DORMA Schweiz AG
Phone +41 71 8864646
www.dorma.ch

Region Emerging Markets

Bulgaria
DORMA Bulgaria
Phone +359 2 9714 904
www.dorma.com

Greece
DORMA Representation Greece
Phone: +30 21 09944388
www.dorma.com

India
DORMA Door Controls India
Phone +91 442 8585097
www.dorma.com

Israel
DORMA GmbH + Co. KG
Phone +49 2333 793-0
www.dorma.com

Poland
DORMA Polska Sp. z o.o.
Phone +48 22 736-59-00
www.dorma.pl

Russia
Representative Office in Russia
Phone +7 495 981 14 33
www.dorma.rus

South Africa
DORMA Door Controls (Pty.)
Ltd
Phone +27 11 8300280
www.dorma.com

Turkey
DORMA Kapi Kontrolleri
Ltd. Sti
Phone: +90 216 3600056
www.dorma.com

Ukraine
DORMA Representation
Ukraine
Phone +380 44 2443897
www.dorma.com

Region China

China
DORMA Door Controls
(Suzhou) Co. Ltd.
Phone +86 512 676 12481
www.dorma.com.sg

Hong Kong
DORMA Door Controls Pte. Ltd.
Phone +852 25034632
www.dorma.com.sg

Region Far East

Indonesia, Japan, Malaysia,
Vietnam
DORMA Emerald Entrance
Systems Pte Ltd
Phone +65 459 5733
www.dorma.com.sg

Philippines
DORMA Door Controls Pte. Ltd.
Phone +632 893 40778
www.dorma.com.sg

Singapore
DORMA Far East Pte. Ltd.
No. 31 Gul Lane
Phone +65 62 68 76 33
www.dorma.com.sg

South Korea
DORMA Emerald Entrance
Systems Pte Ltd
Phone +65 459 5733
www.dorma.com.sg

Taiwan
DORMA Door Controls Pte. Ltd.
Phone +886 2 9182987
www.dorma.com.sg

Region France

France
DORMA Accueil S. A. S.
Phone +33 4 79348924
www.dorma.fr

Region Gulf

Saudi Arabia, Bahrain, Kuwait,
Egypt, Syria, Jordan, Lebanon,
Iran
DORMA ARABIA
Automatic Doors Ltd.
Kingdom of Saudi Arabia
Phone +966 3 847 2394
www.dorma.com

United Arab Emirates, Oman,
Qatar
DORMA Middle East LLC
Dubai
Phone +971 4 282 4424
www.dorma.com

Region North America

Canada
DORMA Door Controls
Phone +1 905 6701281
www.dorma.com

Mexico
DORMA México, S. de R.L.
de C.V.
Phone +52 55 5272 6937
www.dorma.com

USA
DORMA Automatics Inc.
Phone +1 301 390-3600
www.dorma-usa.com

Region Scanbalt

Denmark
DORMA Danmark A/S
Phone +45 44 543000
www.dorma.dk

Estonia
DORMA Representation
Estonia
Phone +372 6707064
www.dorma.com

Finland
DORMA Finland Oy
Phone +358 9 8789130
www.dorma.fi

Lithuania
DORMA Norge AS
Phone +47 23 176800
www.dorma.com

Norway
DORMA Norge A/S
Phone +47 23 176800
www.dorma.no

Sweden
DORMA Sverige AB
Phone +46 31 289520
www.dorma.se

Region South America

Argentina
DORMA Sistemas de
Controles para Portas Ltda
Phone +54 11 45051032
www.dorma.com

Brazil
DORMA Sistemas de Controles
Phone +55 11 41913244
www.dorma.com.br

Region South-East Europe

Austria
DORMA AKS
Automatic GmbH
Phone +43 6225 8636-0
www.dorma.at

Croatia
DORMA Croatia d.o.o.
Phone +385 1 46 06 944
www.dorma-croatia.hr

Czech Republic
DORMA dverni technika CR,
s.r.o.
Phone +420 2 671321-78
or -79
www.dorma.com

Hungary
DORMA AKS Automatic GmbH
Phone +36 1 2065127
or 2058058
www.dorma.com

Romania
DORMA ROMANIA S.R.L.
Phone +40 31 806 916 0
www.dorma.com

Slovakia
DORMA Slovensko spol. s.r.o.
Phone +421 2 50221 283
www.dorma.com

Slovenia
DORMA Representation
Slovenia
Phone +386 2 5 30 20 10
www.dorma.com

Region South Europe

Italy
DORMA Italiana
S.r.l.
Phone: +39 039 244031
www.dorma.it

Portugal
DORMA Portugal
para Portas, Lda.
Phone +351 252 860 490
www.dorma.com

Spain
DORMA Ibérica, S.A.
Phone +34 91 8757851
www.dorma.es

Region UK/Ireland

Ireland
DORMA Ireland Limited
Phone +353 1 295 8280
www.dorma.com

Great Britain
DORMA UK Limited
Phone +44 1462 477600
www.dorma-uk.co.uk



Door Control



Automatic



**Glass Fittings
and Accessories**



**Security/Time
and Access (STA)**



Movable Walls