

The background of the page is a photograph of a modern, white door handle. The handle is mounted on a light-colored door. The handle has a sleek, curved design. The image is partially obscured by a semi-transparent white rectangle that contains the text.

# FITTINGS FOR TOUGHENED GLASS INTERNAL DOORS

—

MEDIO  
STUDIO  
JUNIOR



# CONTENTS

---



**MEDIO**  
6 – 9



**STUDIO RONDO**  
10 – 21



**STUDIO CLASSIC**  
22 – 29



**STUDIO GALA**  
30 – 37



**JUNIOR OFFICE**  
38–45



**JUNIOR OFFICE CLASSIC**  
46 – 59



**SPEZIAL HINGES  
ACCESSORIES**  
60 – 72

# FITTINGS FOR TOUGHENED GLASS INTERNAL DOORS OFFERING UNLIMITED POSSIBILITIES FOR YOU TO CHOOSE

No matter where you are thinking of installing internal glass doors; regardless of door design, door size or door type – locks, levers, hinges and accessories will meet all your technical, aesthetic and budget requirements.

## Simple glass preparation, firm fixing

DORMA-Glas has long experience with constructional glass, and has developed the fittings so that the glass preparation is reduced to the quick and easy drilling of a few holes. The carefully thought out design provides maximum clamping area and optimum clamping action.

## Reliable operation

Quality materials and robust construction are their own guarantee of an unsurpassed standard of durability and reliability.

## Restricted use in swimming pools, saunas and brine baths

Due to chemicals (e. g. chlorine) that may occur in the air of swimming pools, saunas and brine baths the fittings are as a rule not suitable for use in such environments. If you intend to realise an application such as this nevertheless, we will be pleased to advise you further.

---

### Features

Door weight, max. kg

Door width, max. mm

Frame depth, standard, mm

### Lock and latch types

Low-noise „whisper“ functionality

(Whisper latch = latch head partially plastic-sheated / damped latch motions)

Adjustable lever handle follower  $\pm 1^\circ$  for avoidance of „lever handle sag“ droop

Non-locking latch

Non-locking latch, with levers forward

Prepared for Europrofile cylinder

External compliance approval to DIN EN 12209

Public building type DIN 18 251, Class 3

Prepared for KABA

Warded lever lock with nightlatch function

Warded lever lock without nightlatch function

Bathroom lock function

Strike box for double doors

### Lock designs

With follower for door levers without roses

For door levers with roses

### Hinge designs

For frame pivots

With frame pivot for aluminium frame

With frame pivot for timber frame

With frame pivot for steel frame

For project doors

For fixing to side panels

### Page

\*depending on the used door hinge

**Studio locks according to DIN 18 251, class 3 with regard to type-test**

Extract from DIN 18 251, class 3:  
Type-test with 200,000 latch and 50,000 locking bolt operating cycles.

**Office locks comply to the current DIN EN 12209**

(designed for use in public buildings)  
Moreover these locks were tested successfully by a neutral testing institute with 500,000 latch and 100,000 locking bolt operating cycles.  
Further information see page 48.

MEDIO	Studio Rondo	Studio Classic	Studio Gala	Junior Office	Junior Office Classic	Special hinges
*	45	45	45	55, 60, 70	55, 60, 70	55
*	1000	1000	1000	1000, 1200	1000, 1200	
*	24	24	24	24, 40	24, 40	24, 40
				●	●	
				●	●	
●	●	●	●	●	●	
	●	●	●			
	●	●	●	●	●	
				●	●	
●	●	●	●	●		
	●	●	●	●		
	●	●	●	●	●	
	●	●	●	●	●	
●	●	●	●	●	●	
	●	●	●	●	●	
	●	●	●	●	●	●
	●	●	●	●	●	
	●	●	●	●	●	
	●	●	●	●	●	
	●	●	●	●	●	
	●	●	●	●	●	
6	10	22	30	38	46	60

# MEDIO

---

## **Unobtrusive restraint.**

The MEDIO lock is small but perfectly formed. With its graceful straight lines, it blends in unobtrusively with any glass design.

## **Lock MEDIO**

8

## **Frame pivots**

35

## **Strike plates/Profile cylinder**

35

## **Applications**

9

## **Hinges**

17 – 20, 28, 34, 43 – 45, 51 – 53

## **Special hinges**

62–64

## **Door rails**

65 – 67

## **Door bolts/Accessories**

67 – 68

## **Mounting of door closers**

69 – 70

## **Finishes and colours**

71



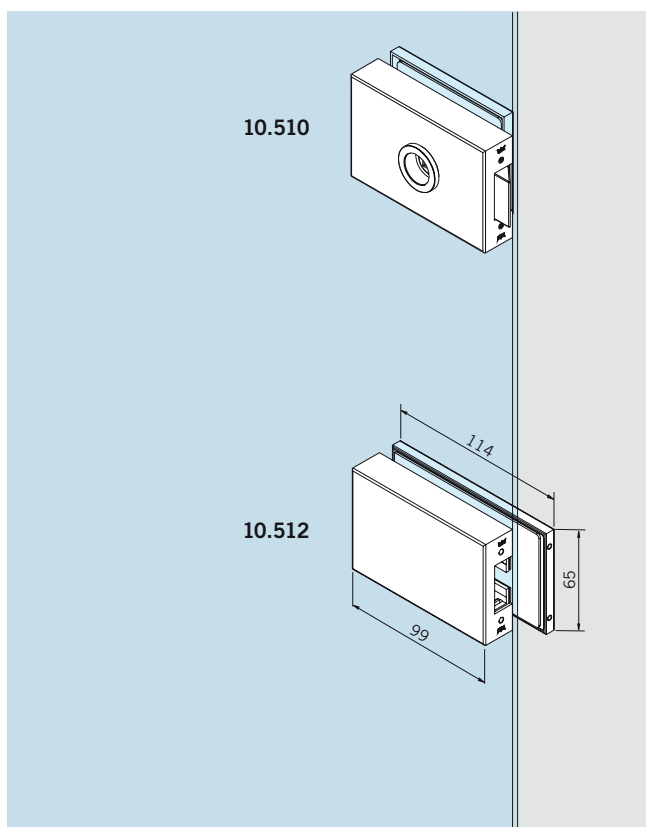
## LOCKS WITH FOLLOWER

According to DIN 18251, class 3, according to type testing  
(see page 4 – 5)

Locks for 8 mm glass thickness / 24 mm rebate depth,  
10 mm glass thickness / 26 mm rebate depth resp.

Prepared for all levers without roses with 8 mm square spindles,  
spindle length for 44 mm lock thickness and 18 mm Ø follower,  
max. 8 mm long.

The hinges can be combined with hinges of one's one choice  
(ARCOS Studio, ARCOS Office, Studio Rondo, Studio Classic,  
Studio Gala, Junior Office und Junior Office Classic).



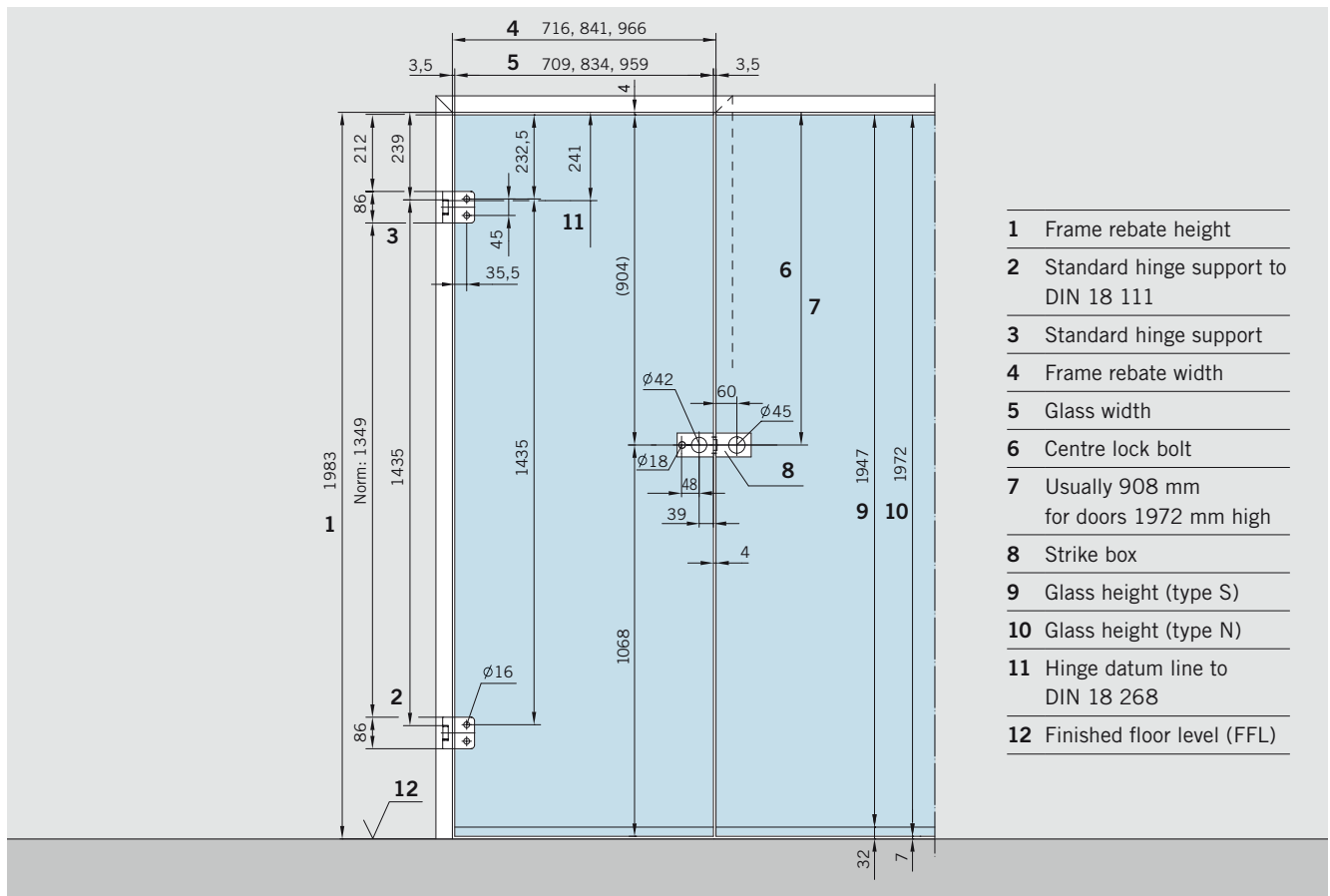
**MEDIO lock,**  
non-locking  
**Art. No. 10.510**  
Weight in kg: alumin. 0.840

**MEDIO strike box,**  
short  
for pairs of doors  
**Art. No. 10.512**  
Weight in kg: alumin. 0.610

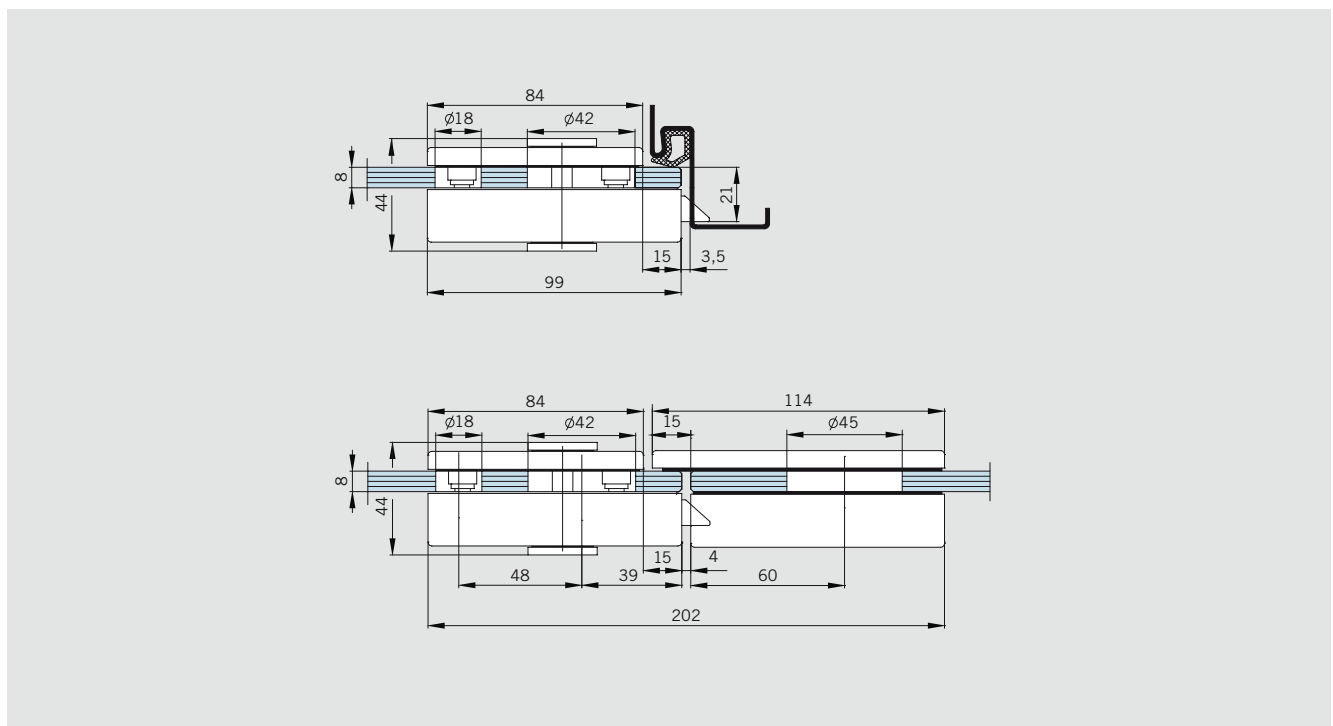
**Sets of levers**  
see pages 21, 29, 34



# CONSTRUCTION DIMENSIONS FOR FRAME PIVOTS (as to page 35)



## SECTION MEDIO



## STUDIO RONDO

---

Studio Rondo have a charm and neatness in their simple, uncluttered lines that serve to enhance the inherent beauty and character of tempered glass doors. The extended colour options provide a wide range of creations.

### **Lock Studio Rondo**

12 – 16

### **Hinges**

17 – 20

### **Sets of levers**

21

### **Frame pivots**

35

### **Strike plates / Profile cylinder**

35

### **Applications**

36 – 37

### **Special hinges**

62 – 64

### **Door rails**

65 – 67

### **Door bolts/Accessories**

67 – 68

### **Mounting of door closers**

69 – 70

### **Finishes and colours**

71



# COMPLETE DOORSETS FOR 8 AND 10 MM GLASS THICKNESS, LOCKS WITH FOLLOWER

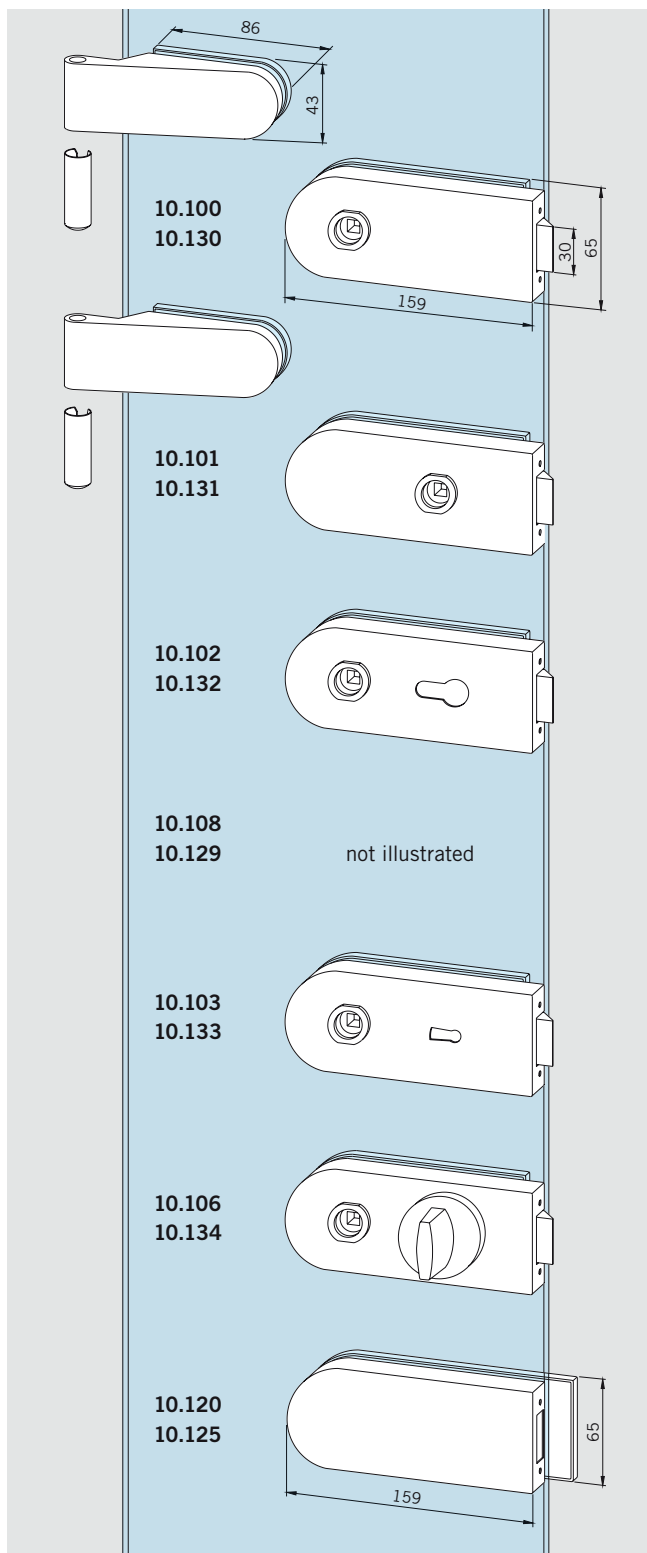
Locks acc. to DIN 18251, class 3, according to type testing (see page 4 – 5).

Door weight max. 45 kg, door width max. 1000 mm.

Rebate depth 24 mm (for 8 mm glass thickness), 26 mm (for 10 mm glass thickness)

Prepared for all levers without roses with 8 mm square spindles, spindle length for 44 mm lock thickness and 18 mm Ø follower, max. 8 mm long.

Hinges also to suit doors with no over-rebate and prepared for rebate depth 28 – 40 mm see page 14 and following.



**Lock with 2 hinges,**  
non-locking lock,  
hinges with sleeves,  
extended colour options

8 mm glass thickness

**Art. No. 10.100**

10 mm glass thickness

**Art. No. 10.130**

Weight in kg: alumin. 1.580  
brass 2.485

**Lock with 2 hinges,**  
non-locking lock  
for lever forward,  
hinges with sleeves,  
extended colour options

8 mm glass thickness

**Art. No. 10.101**

10 mm glass thickness

**Art. No. 10.131**

Weight in kg: alumin. 1.625  
brass 2.505

**Lock with 2 hinges,**  
lock prepared for Europrofile  
cylinder, nightlatch function,  
hinges with sleeves,  
extended colour options

8 mm glass thickness

**Art. No. 10.102**

10 mm glass thickness

**Art. No. 10.132**

Weight in kg: alumin. 1.565  
brass 2.465

**Lock with 2 hinges,**  
lock prepared for KABA,  
nightlatch function,  
hinges with sleeves,  
extended colour options

8 mm glass thickness

**Art. No. 10.108**

10 mm glass thickness

**Art. No. 10.129**

Weight in kg: alumin. 1.563

**Lock with 2 hinges,**  
lever lock, nightlatch  
function, 2 keys supplied, hin-  
ges with sleeves,  
extended colour options

8 mm glass thickness

**Art. No. 10.103**

10 mm glass thickness

**Art. No. 10.133**

Weight in kg: alumin. 1.630  
brass 2.530

**Lock with 2 hinges,**  
WC-toilet door, hinges with  
sleeves, extended colour  
options

8 mm glass thickness

**Art. No. 10.106**

10 mm glass thickness

**Art. No. 10.134**

Weight in kg: alumin. 1.745  
brass 2.755

**Strike box with 2 hinges,**  
for pairs of doors,  
hinges with sleeves,  
extended colour options

8 mm glass thickness

**Art. No. 10.120**

10 mm glass thickness

**Art. No. 10.125**

Weight in kg: alumin. 1.380  
brass 2.295

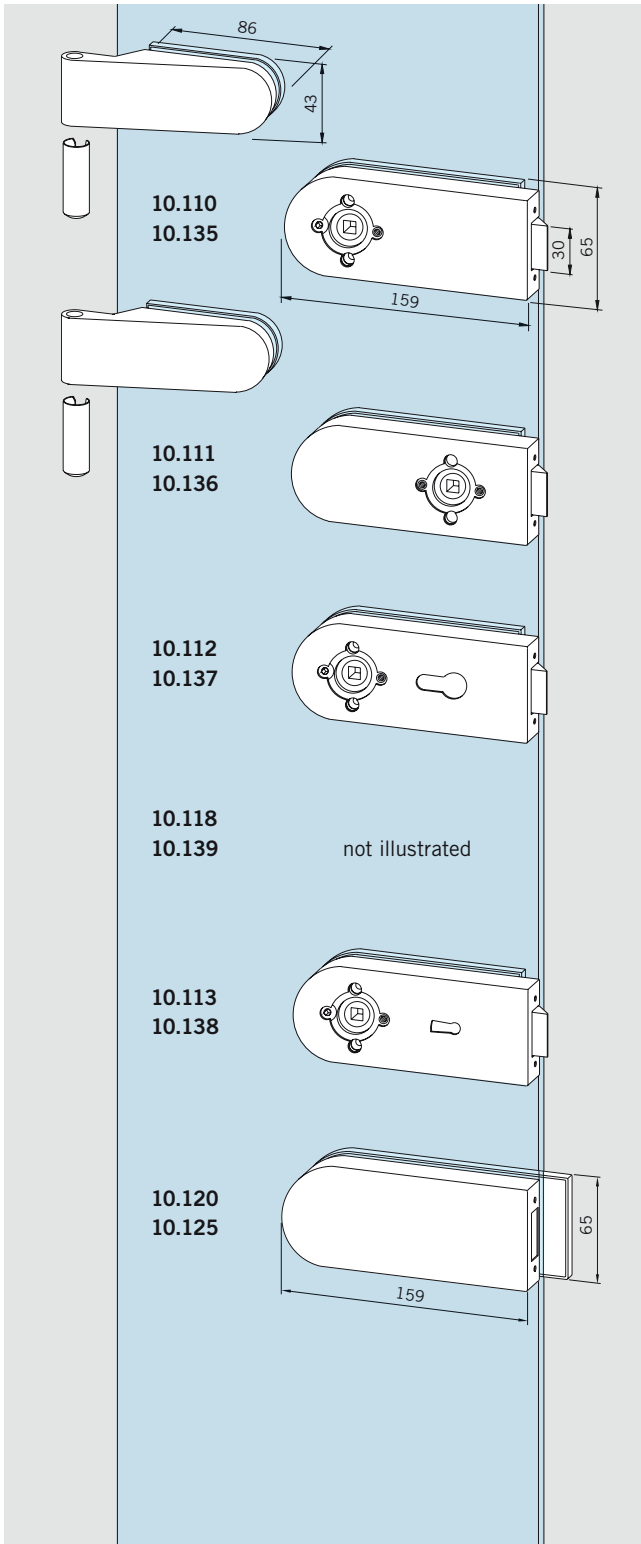
# COMPLETE DOORSETS FOR 8 AND 10 MM GLASS THICKNESS, LOCKS FOR LEVERS WITH ROSES

Locks acc. to DIN 18251, class 3, according to type testing (see page 4 – 5).

Door weight max. 45 kg, door width max. 1000 mm.

Rebate depth 24 mm (for 8 mm glass thickness),  
26 mm (for 10 mm glass thickness)

Hinges also to suit doors with no over-rebate and prepared for rebate depth 28 – 40 mm see page 14 and following.



**Lock with 2 hinges,**  
non-locking lock,  
hinges with sleeves

8 mm glass thickness  
**Art. No. 10.110**  
10 mm glass thickness  
**Art. No. 10.135**  
Weight in kg: alumin. 1.580

**Lock with 2 hinges,**  
non-locking lock  
for lever forward,  
hinges with sleeves

8 mm glass thickness  
**Art. No. 10.111**  
10 mm glass thickness  
**Art. No. 10.136**  
Weight in kg: alumin. 1.585

**Lock with 2 hinges,**  
lock prepared for Europrofile  
cylinder, nightlatch function,  
hinges with sleeves

8 mm glass thickness  
**Art. No. 10.112**  
10 mm glass thickness  
**Art. No. 10.137**  
Weight in kg: alumin. 1.565

**Lock with 2 hinges,**  
lock prepared for KABA,  
nightlatch function,  
hinges with sleeves

8 mm glass thickness  
**Art. No. 10.118**  
10 mm glass thickness  
**Art. No. 10.139**  
Weight in kg: alumin. 1.563

**Lock with 2 hinges,**  
lever lock, nightlatch  
function, 2 keys supplied, hin-  
ges with sleeves

8 mm glass thickness  
**Art. No. 10.113**  
10 mm glass thickness  
**Art. No. 10.138**  
Weight in kg: alumin. 1.575

**Strike box with 2 hinges,**  
for pairs of doors,  
hinges with sleeves

8 mm glass thickness  
**Art. No. 10.120**  
10 mm glass thickness  
**Art. No. 10.125**  
Weight in kg: alumin. 1.380

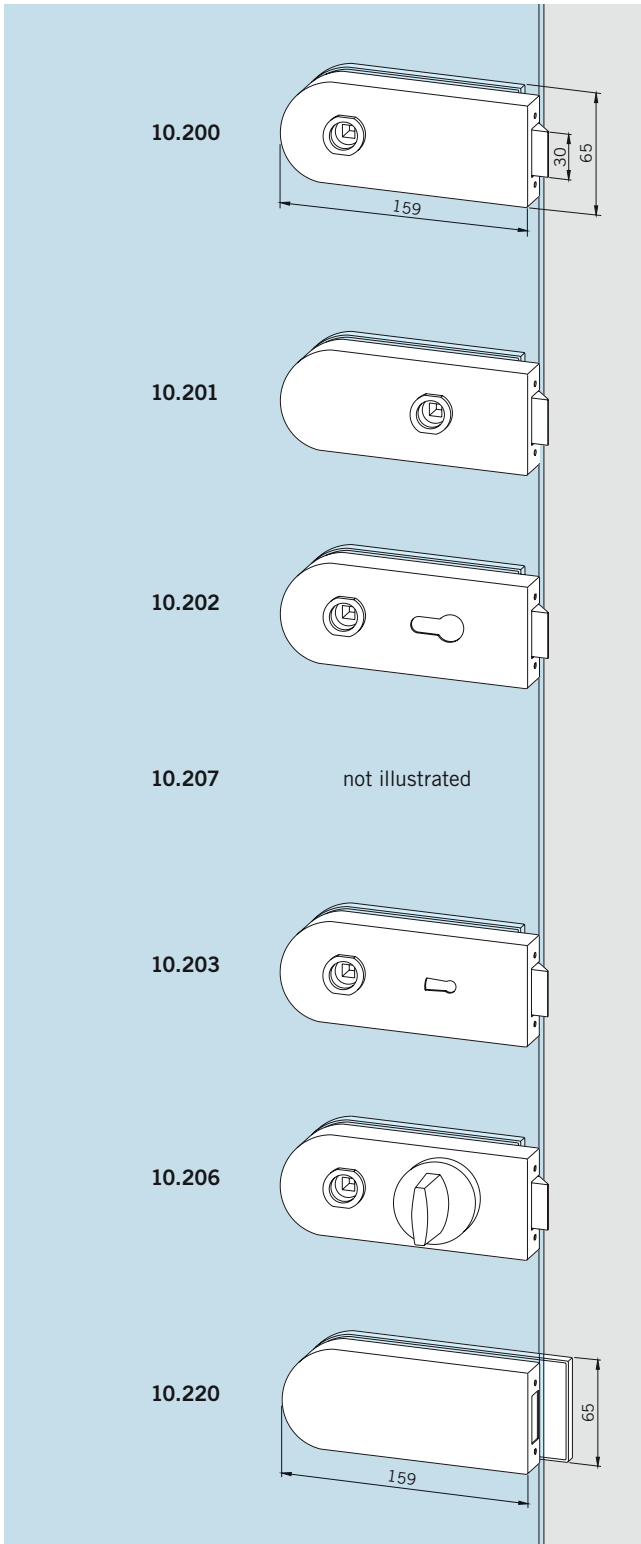
# LOCKS WITH FOLLOWER

According to DIN 18251, class 3, according to type testing (see page 4 – 5)

Locks for 8 mm glass thickness / 24 mm rebate depth,  
10 mm glass thickness / 26 mm rebate depth resp.

Prepared for all levers without roses with 8 mm square spindles, spindle length for 44 mm lock thickness and 18 mm Ø follower, max. 8 mm long.

Hinges also to suit doors with no over-rebate and prepared for rebate depth 28 – 40 mm see page 12 and following.



**Lock,**  
non-locking, extended colour options  
**Art. No. 10.200**  
Weight in kg: alumin. 0.840  
brass 1.055

**Lock,**  
non-locking, with follower forward, extended colour options  
**Art. No. 10.201**  
Weight in kg: alumin. 0.845  
brass 1.055

**Lock,**  
prepared for Europrofile cylinder, nightlatch function, extended colour options  
**Art. No. 10.202**  
Weight in kg: alumin. 0.815  
brass 1.030

**Lock,**  
prepared for KABA, nightlatch function, extended colour options  
**Art. No. 10.207**  
Weight in kg: alumin. 0.813

**Lock,**  
lever lock, nightlatch function, 2 keys supplied, extended colour options  
**Art. No. 10.203**  
Weight in kg: alumin. 0.850  
brass 1.090

**Lock,**  
WC-toilet door, extended colour options  
**Art. No. 10.206**  
Weight in kg: alumin. 1.106  
brass 1.398

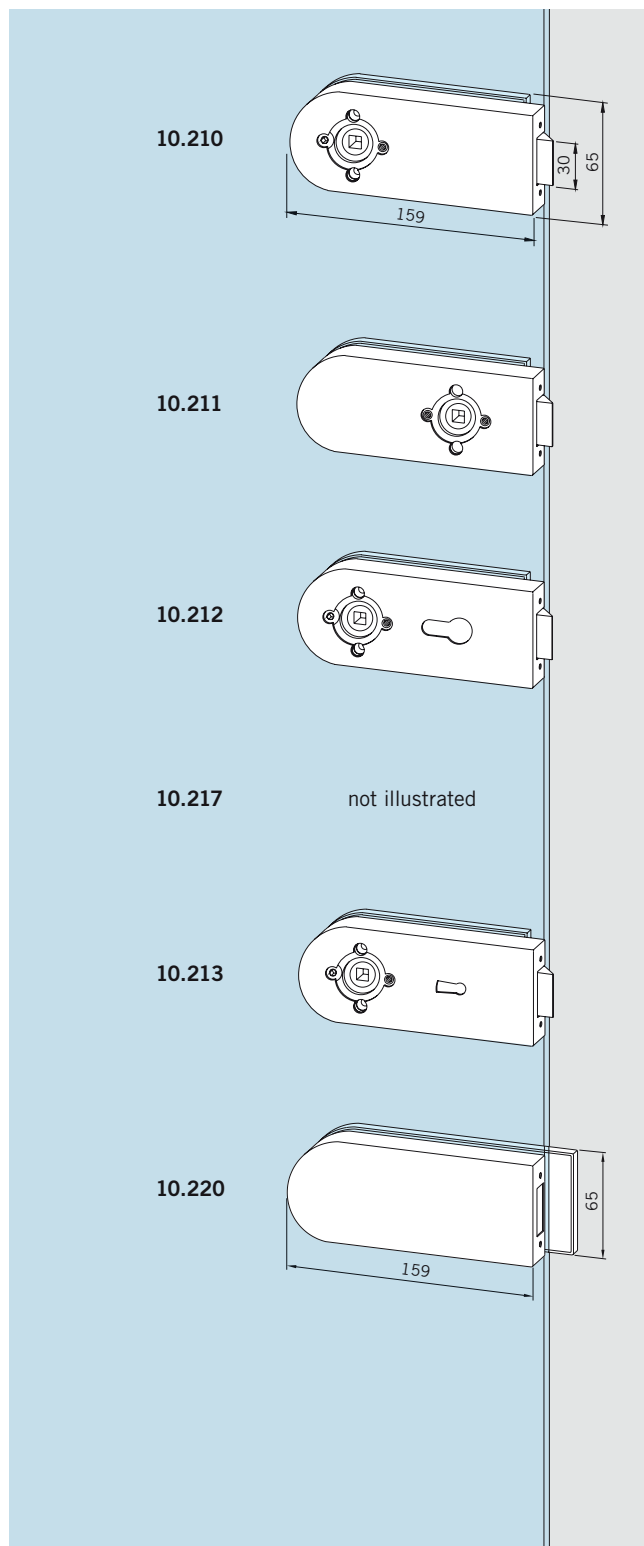
**Strike box,**  
for pairs of doors, extended colour options  
**Art. No. 10.220**  
Weight in kg: alumin. 0.610  
brass 0.903

# LOCKS FOR LEVERS WITH ROSES

According to DIN 18251, class 3, according to type testing  
(see page 4 – 5)

Locks for 8 mm glass thickness / 24 mm rebate depth,  
10 mm glass thickness / 26 mm rebate depth resp.

Hinges also to suit doors with no over-rebate and prepared for rebate depth 28 – 40 mm see page 12 and following.

**Lock,**

non-locking, extended colour options

**Art. No. 10.210**

Weight in kg: alumin. 1.580  
brass 2.485

**Lock,**

non-locking, with follower forward, extended colour options

**Art. No. 10.211**

Weight in kg: alumin. 1.625  
brass 2.505

**Lock,**

prepared for Europrofile cylinder, nightlatch function, extended colour options

**Art. No. 10.212**

Weight in kg: alumin. 1.565  
brass 2.465

**Lock,**

prepared for KABA, nightlatch function, extended colour options

**Art. No. 10.217**

Weight in kg: alumin. 0.810

**Lock,**

lever lock, nightlatch function, 2 keys supplied, extended colour options

**Art. No. 10.213**

Weight in kg: alumin. 1.630  
brass 2.530

**Strike box,**

for pairs of doors, extended colour options

**Art. No. 10.220**

Weight in kg: alumin. 0.610  
brass 0.903

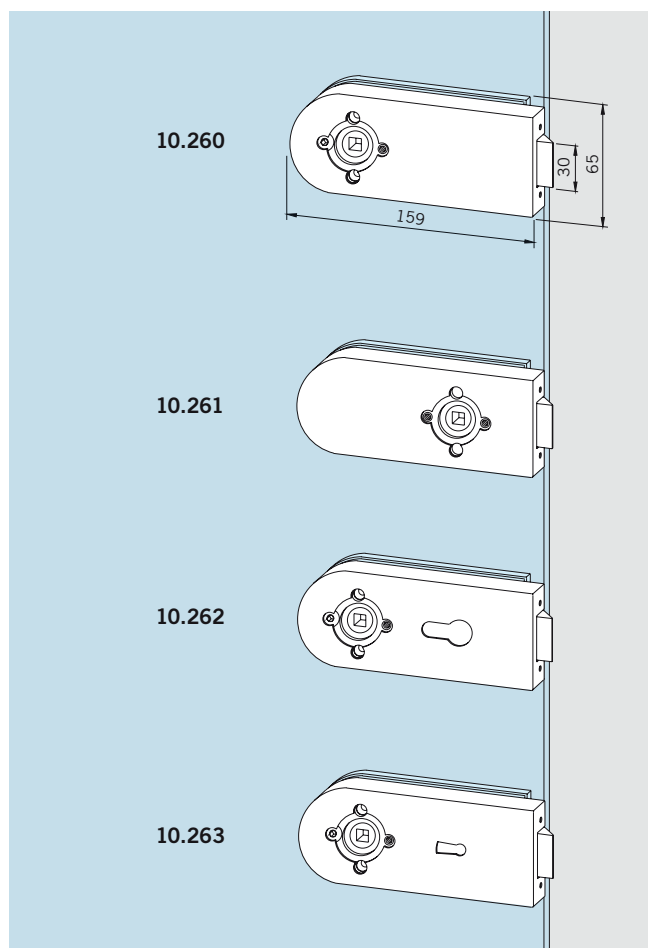
## LOCKS, PREPARED FOR D-LINE LEVERS WITH ROSES

According to DIN 18251, class 3, according to type testing  
(see page 4 – 5)

Locks for 8 mm glass thickness / 24 mm rebate depth,  
10 mm glass thickness / 26 mm rebate depth resp.

Lever on site. Please specify exact lock type when ordering lever  
at your supplier and left or right hand application.

Hinges also to suit doors with no over-rebate and prepared  
for rebate depth 28 – 40 mm see page 12 and following.



**Lock,**  
non-locking, extended colour  
options  
**Art. No. 10.260**  
Weight in kg: alumin. 0.840  
brass 1.055

**Lock,**  
non-locking, with follower  
forward, extended colour options  
**Art. No. 10.261**  
Weight in kg: alumin. 0.845

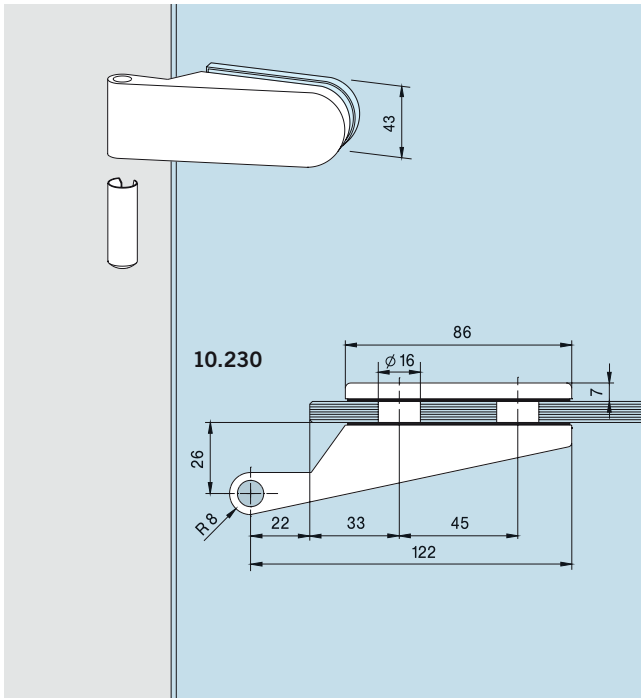
**Lock,**  
prepared for Europrofile  
cylinder, nightlatch function,  
extended colour options  
**Art. No. 10.262**  
Weight in kg: alumin. 0.815  
brass 1.030

**Lock,**  
lever lock, nightlatch function,  
2 keys supplied, extended  
colour options  
**Art. No. 10.263**  
Weight in kg: alumin. 0.850



# HINGES FOR 8 MM GLASS THICKNESS

Door width max. 1000 mm



**Hinge with frame pivot,**  
complete with sleeve,  
to suit rebate depth 20 mm,  
extended colour options  
door weight max. 45 kg

**Art. No. 10.230**

Weight in kg: alumin. 0.319  
brass 0.688

**Hinge with frame pivot,**  
complete with sleeve, to suit  
rebate depth 28 – 30 mm,  
door weight max. 38 kg

**Art. No. 10.233** (not illustr.)

Weight in kg: alumin. 0.336  
brass 0.806

**Filler piece with screws**  
for rebate depth 31 – 39 mm,  
(please indicate),  
door weight max. 38 kg, used in  
combination with hinge 10.230

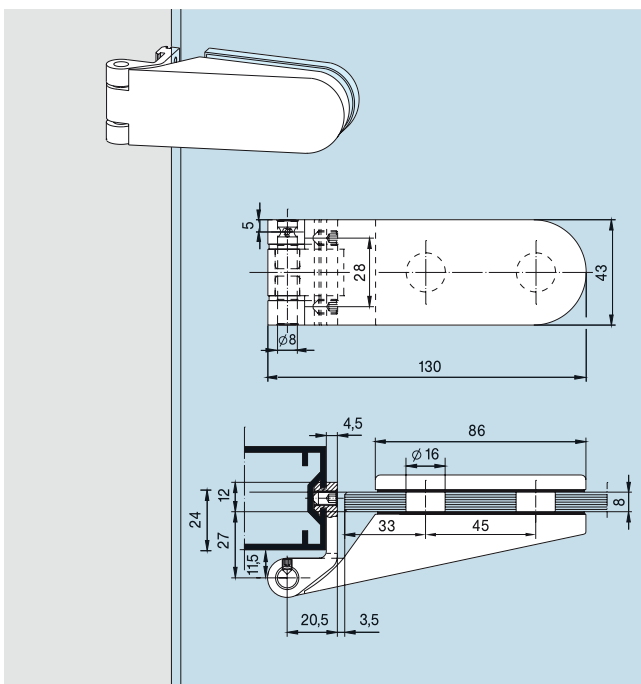
**Art. No. 10.420** (not illustr.)

Weight in kg: alumin. 0.144

**Hinge with frame pivot,**  
complete with sleeve and filler  
piece to suit 40 mm rebate  
depth, door weight max. 38 kg

**Art. No. 10.234** (not illustr.)

Weight in kg: alumin. 0.486



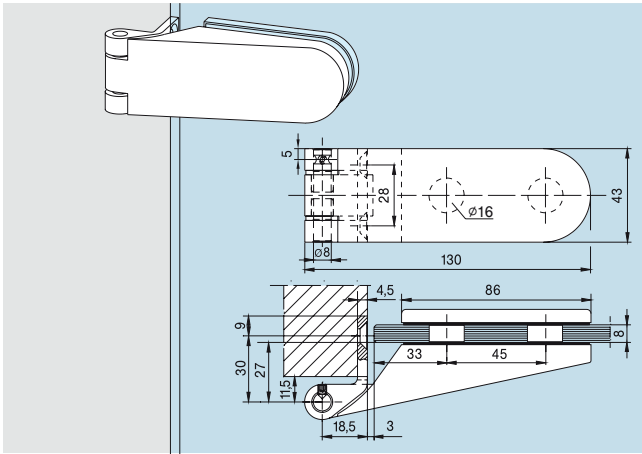
**Hinge with frame pivot for  
aluminium frames,**  
stainless steel pin,  
door weight max. 35 kg

**Art. No. 10.231**

Weight in kg: alumin. 0.329

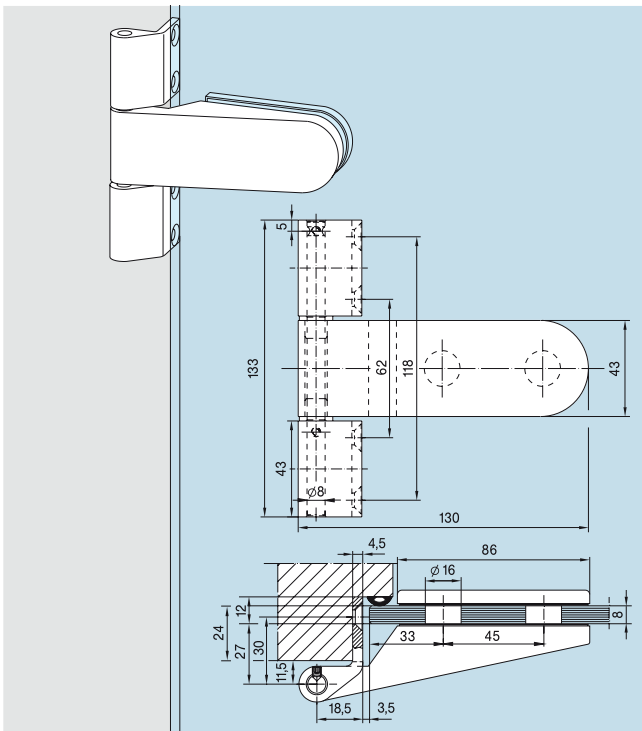
# HINGES FOR 8 MM GLASS THICKNESS

Door width max. 1000 mm



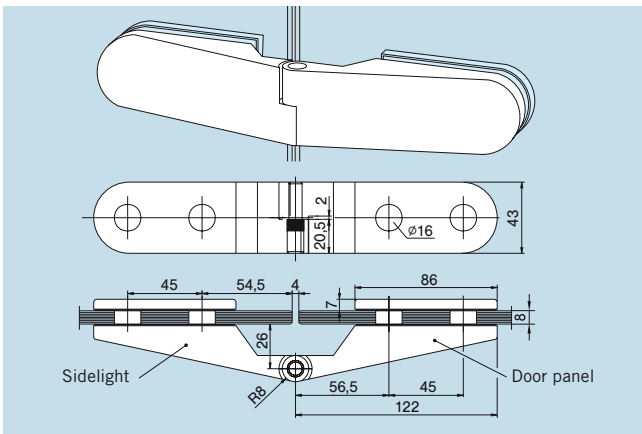
**Hinge with frame pivot for wooden frames,**  
hinge flap for mortising into frame, stainless steel pin, door weight max. 35 kg

**Art. No. 10.232**  
Weight in kg: alumin. 0.321



**Strengthened hinge with frame pivot for wooden frames,**  
hinge flap for mortising into frame, stainless steel pin, door weight max. 45 kg

**Art. No. 10.235**  
Weight in kg: alumin. 0.433

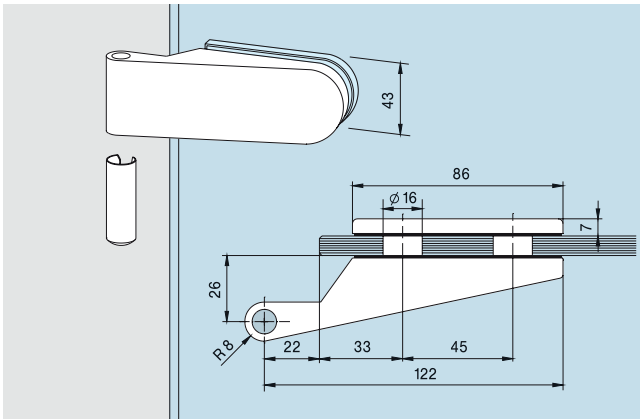


**Hinge for mounting onto sidelight,**  
stainless steel pin, door weight max. 35 kg

**Art. No. 10.244 L (as illustr.)**  
**Art. No. 10.246 R**  
Weight in kg: alumin. 0.557

# HINGES FOR 10 MM GLASS THICKNESS

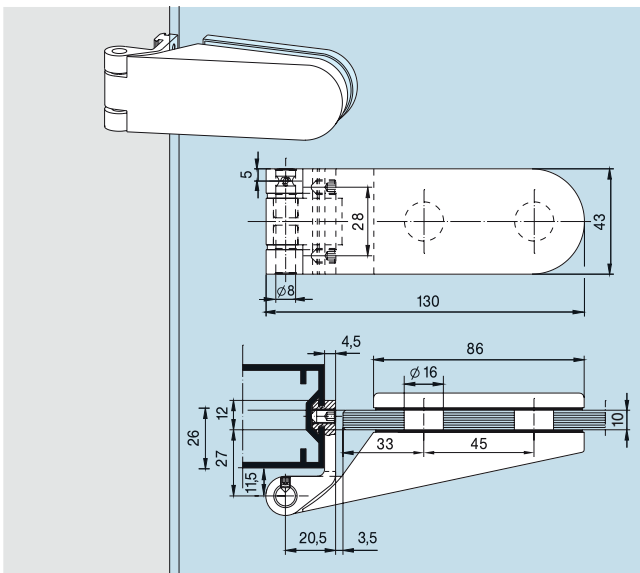
Door width max. 1000 mm



**Hinge with frame pivot,**  
complete with sleeve,  
rebate depth 26 mm,  
extended colour options,  
door weight max. 45 kg

**Art. No. 10.236**

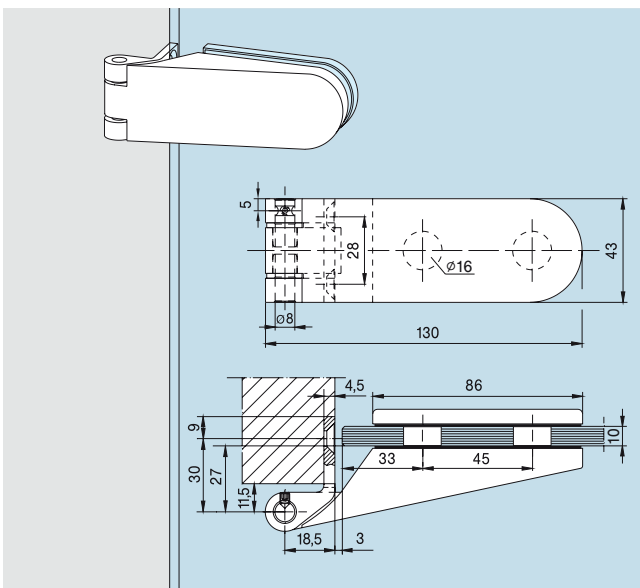
Weight in kg: alumin. 0.319  
brass 0.688



**Hinge with frame pivot for aluminium frames,**  
stainless steel pin,  
door weight max. 35 kg

**Art. No. 10.237**

Weight in kg: alumin. 0.329



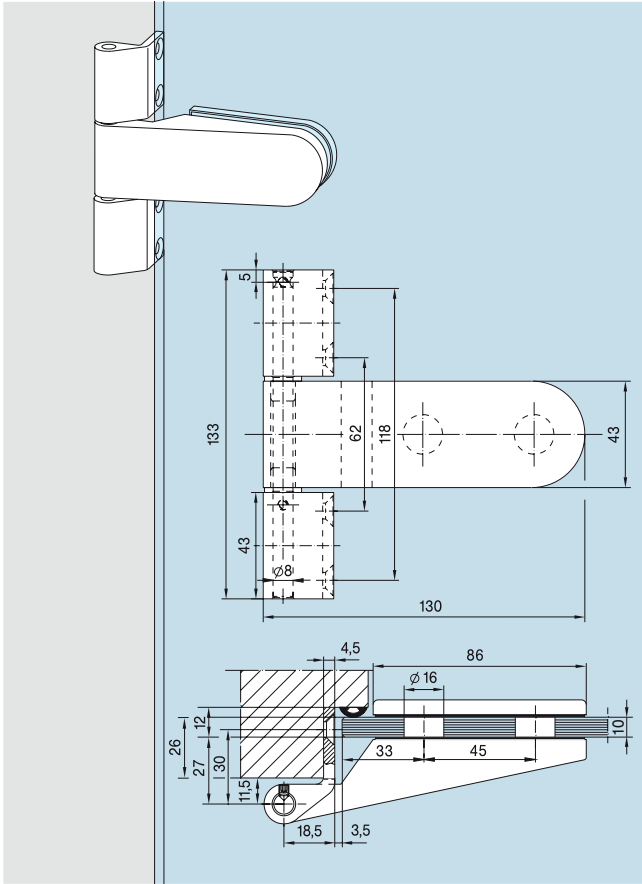
**Hinge with frame pivot for wooden frames,**  
hinge flap for mortising into  
frame, stainless steel pin,  
door weight max. 35 kg

**Art. No. 10.238**

Weight in kg: alumin. 0.321

# HINGES FOR 10 MM GLASS THICKNESS

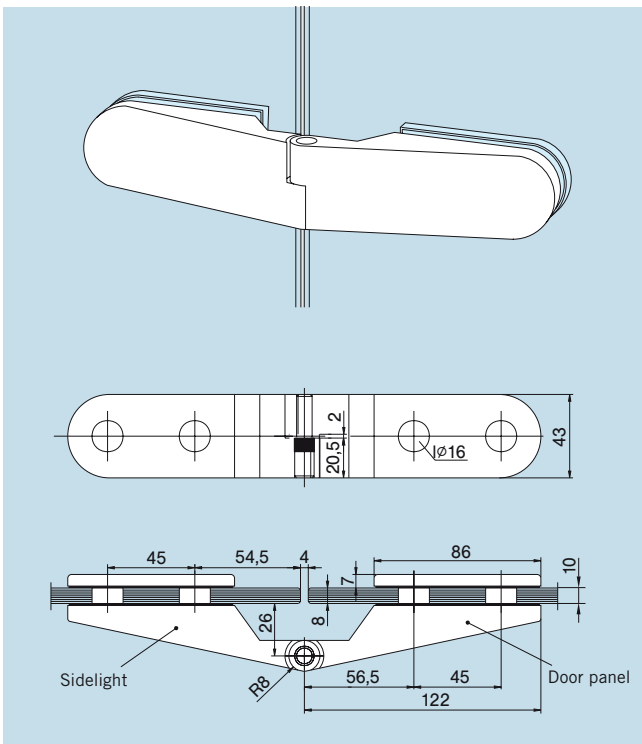
Door width max. 1000 mm



**Strengthened hinge with frame pivot for wooden frames,**  
hinge flap for mortising into frame, stainless steel pin,  
door weight max. 45 kg

**Art. No. 10.239**

Weight in kg: alumin. 0.433



**Hinge for mounting onto sidelight,**  
stainless steel pin,  
door weight max. 35 kg

**Art. No. 10.245 L** (as illustr.)

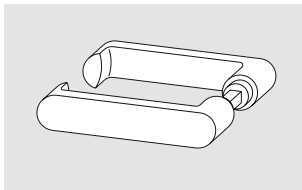
**Art. No. 10.247 R**

Weight in kg: alumin. 0.557

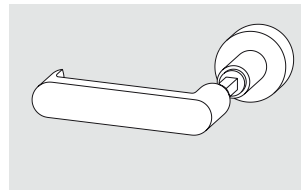
Note: Opening angle max. 100°

## SETS OF LEVERS FOR LOCKS WITH FOLLOWER

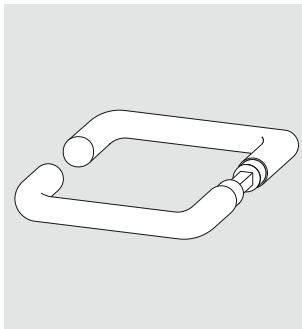
---



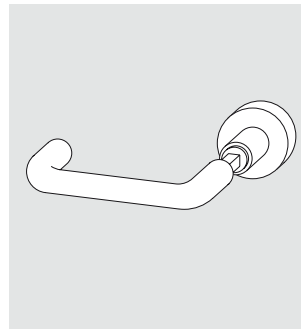
**Set of levers**, with flat hand part, extended colour options  
**Art. No. 10.314**  
 Weight in kg: alumin. 0.290  
                   brass 0.760



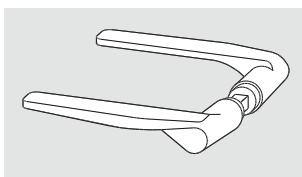
**Lever and knob set**, lever with flat hand part, fixed knob, for use with nightlatch function locks  
**Art. No. 10.304**  
 Weight in kg: alumin. 0.270



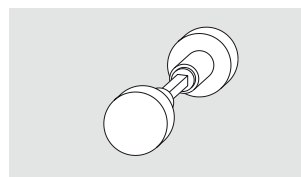
**Set of levers**, tubular, for follower  
**Art. No. 10.301**  
 Weight in kg: alumin. 0.320  
                   brass 0.450



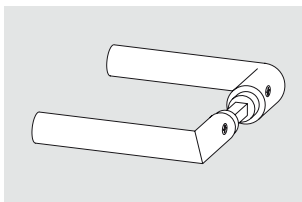
**Lever and knob set**, tubular lever with free turning knob (turning without function)  
**Art. No. 10.316**  
 Weight in kg: alumin. 0.335



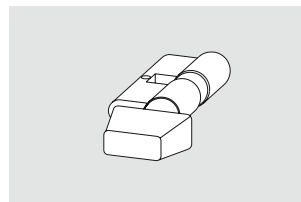
**Set of levers**, with cantilevered hand part  
**Art. No. 10.300**  
 Weight in kg: brass 0.650



**Set of knobs**, turning knob  
**Art. No. 10.305**  
 Weight in kg: alumin. 0.255



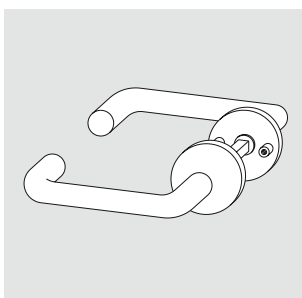
**Set of levers**, Junior levers – stainless steel  
**Art. No. 11.299**  
 Weight in kg: stainless steel 0.336



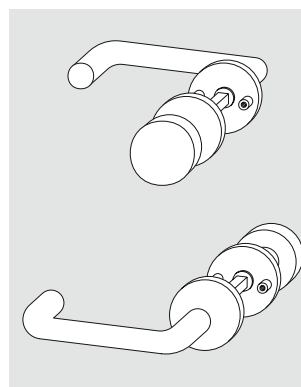
**Thumbturn cylinders (WC)**, for locks prepared for Euro-profile cylinder, thumbturn in aluminium, extended colour options  
**Art. No. 10.310**  
 Weight in kg: 0.225

## SETS OF LEVERS FOR LOCKS PREPARED FOR LEVERS WITH ROSES

---



**Set of levers**, tubular, with roses  
**Art. No. 10.307**  
 Weight in kg: alumin. 0.320



**Lever and knob set**, tubular lever with fixed knob, with roses  
**Art. No. 10.318**  
 Weight in kg: alumin. 0.400

**Set of levers**, tubular, with roses, with stainless steel square drive  
**Art. No. 10.325**  
 Weight in kg: alumin. 0.382

**Lever and knob set**, tubular lever with knob, with roses  
**Art. No. 10.319**  
 Weight in kg: alumin. 0.400

Further sets of levers see pages 21, 29, 34, 43, 51.

## STUDIO CLASSIC

---

Studio Classic fits perfectly into functional designed surroundings, and with its slim shape it underlines the appearance of glass interior doors.

### **Lock Studio Classic**

24 – 27

### **Hinges**

28

### **Sets of levers**

29

### **Frame pivots**

35

### **Strike plates / Profile cylinder**

35

### **Applications**

36 – 37

### **Special hinges**

62 – 64

### **Door rails**

65 – 67

### **Door bolts / Accessories**

67 – 68

### **Mounting of door closers**

69 – 70

### **Finishes and colours**

71



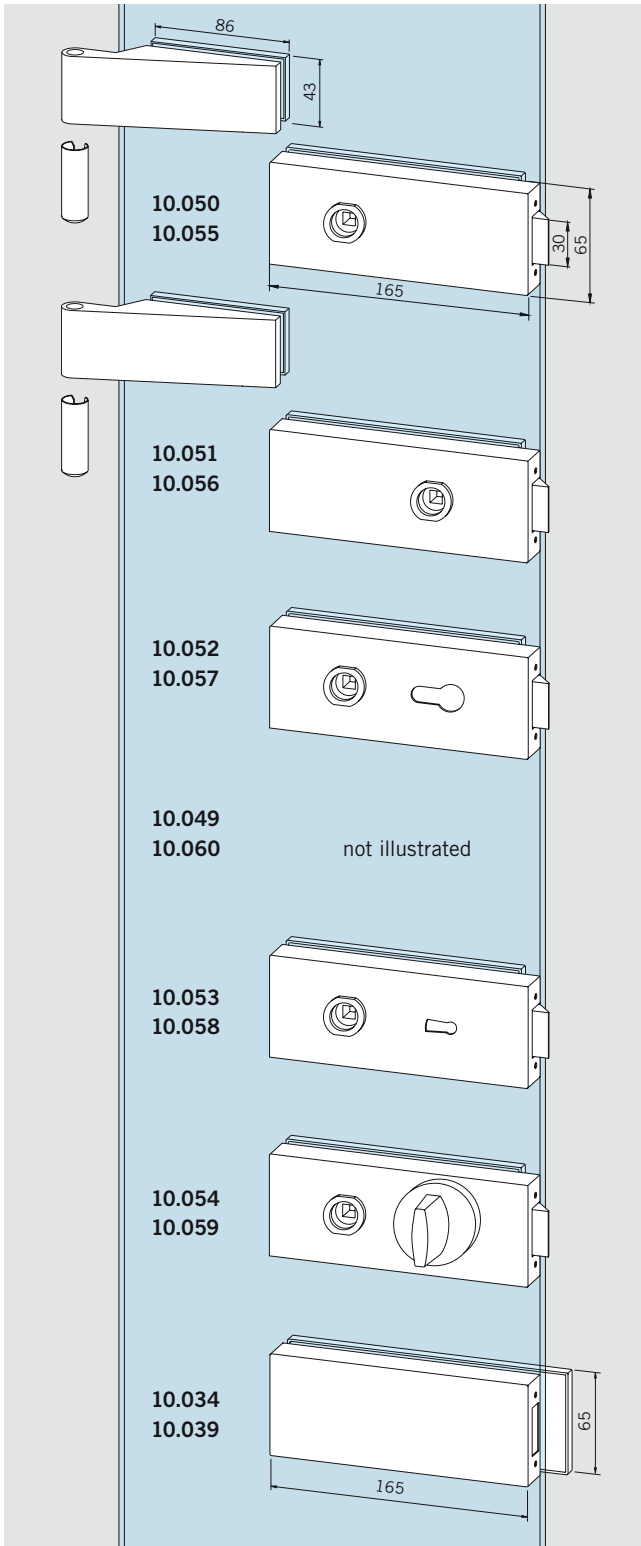
# COMPLETE DOORSETS FOR 8 AND 10 MM GLASS THICKNESS, LOCKS WITH FOLLOWER

Locks acc. to DIN 18251, class 3, according to type testing (see page 4 – 5).

Door weight max. 45 kg, door width max. 1000 mm.

Rebate depth 24 mm (for 8 mm glass thickness),  
26 mm (for 10 mm glass thickness)

Prepared for all levers without roses with 8 mm square spindles, spindle length for 44 mm lock thickness and 18 mm Ø follower, max. 8 mm long.



**Lock with 2 hinges,**  
non-locking lock,  
hinges with sleeves

8 mm glass thickness

**Art. No. 10.050**

10 mm glass thickness

**Art. No. 10.055**

Weight in kg: alumin. 1.580

**Lock with 2 hinges,**  
non-locking lock with  
follower forward,  
hinges with sleeves

8 mm glass thickness

**Art. No. 10.051**

10 mm glass thickness

**Art. No. 10.056**

Weight in kg: alumin. 1.625

**Lock with 2 hinges,**  
lock prepared for Europrofile  
cylinder, nightlatch function,  
hinges with sleeves

8 mm glass thickness

**Art. No. 10.052**

10 mm glass thickness

**Art. No. 10.057**

Weight in kg: alumin. 1.565

**Lock with 2 hinges,**  
lock prepared for KABA,  
nightlatch function,  
hinges with sleeves

8 mm glass thickness

**Art. No. 10.049**

10 mm glass thickness

**Art. No. 10.060**

Weight in kg: alumin. 1.563

**Lock with 2 hinges,**  
lever lock, nightlatch function,  
2 keys supplied,  
hinges with sleeves

8 mm glass thickness

**Art. No. 10.053**

10 mm glass thickness

**Art. No. 10.058**

Weight in kg: alumin. 1.630

**Lock with 2 hinges,**  
WC-toilet door,  
hinges with sleeves

8 mm glass thickness

**Art. No. 10.054**

10 mm glass thickness

**Art. No. 10.059**

Weight in kg: alumin. 1.721

**Strike box with 2 hinges,**  
for pairs of doors,  
hinges with sleeves

8 mm glass thickness

**Art. No. 10.034**

10 mm glass thickness

**Art. No. 10.039**

Weight in kg: alumin. 1.380

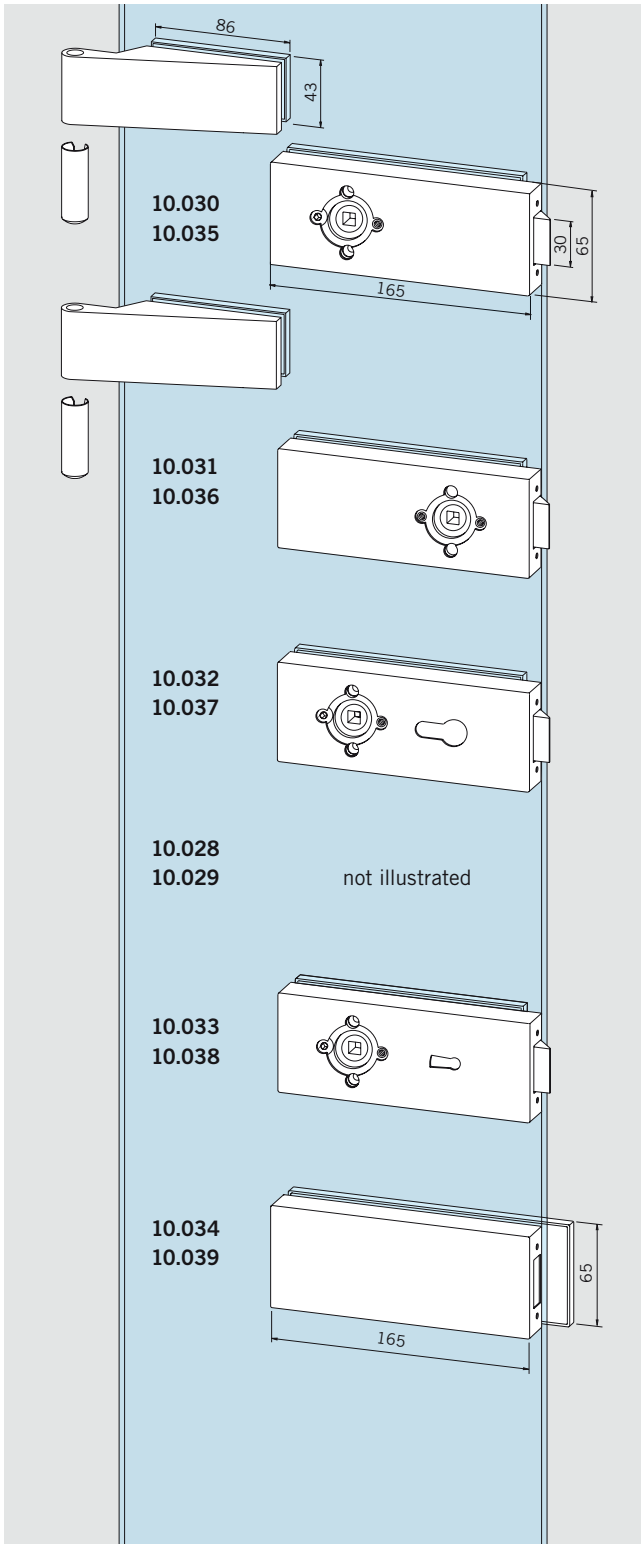


# COMPLETE DOORSETS FOR 8 AND 10 MM GLASS THICKNESS, LOCKS FOR LEVERS WITH ROSES

Locks acc. to DIN 18251, class 3, according to type testing  
(see page 4 – 5).

Door weight max. 45 kg, door width max. 1000 mm.

Rebate depth 24 mm (for 8 mm glass thickness),  
26 mm (for 10 mm glass thickness)



**Lock with 2 hinges,**  
non-locking lock,  
hinges with sleeves

8 mm glass thickness

**Art. No. 10.030**

10 mm glass thickness

**Art. No. 10.035**

Weight in kg: alumin. 1.580

**Lock with 2 hinges,**  
non-locking lock  
for lever forward,  
hinges with sleeves

8 mm glass thickness

**Art. No. 10.031**

10 mm glass thickness

**Art. No. 10.036**

Weight in kg: alumin. 1.585

**Lock with 2 hinges,**  
lock prepared for Europrofile  
cylinder, nightlatch function,  
hinges with sleeves

8 mm glass thickness

**Art. No. 10.032**

10 mm glass thickness

**Art. No. 10.037**

Weight in kg: alumin. 1.565

**Lock with 2 hinges,**  
lock prepared for KABA,  
nightlatch function,  
hinges with sleeves

8 mm glass thickness

**Art. No. 10.028**

10 mm glass thickness

**Art. No. 10.029**

Weight in kg: alumin. 1.563

**Lock with 2 hinges,**  
lever lock, nightlatch  
function, 2 keys supplied, hin-  
ges with sleeves

8 mm glass thickness

**Art. No. 10.033**

10 mm glass thickness

**Art. No. 10.038**

Weight in kg: alumin. 1.575

**Strike box with 2 hinges,**  
for pairs of doors,  
hinges with sleeves

8 mm glass thickness

**Art. No. 10.034**

10 mm glass thickness

**Art. No. 10.039**

Weight in kg: alumin. 1.380

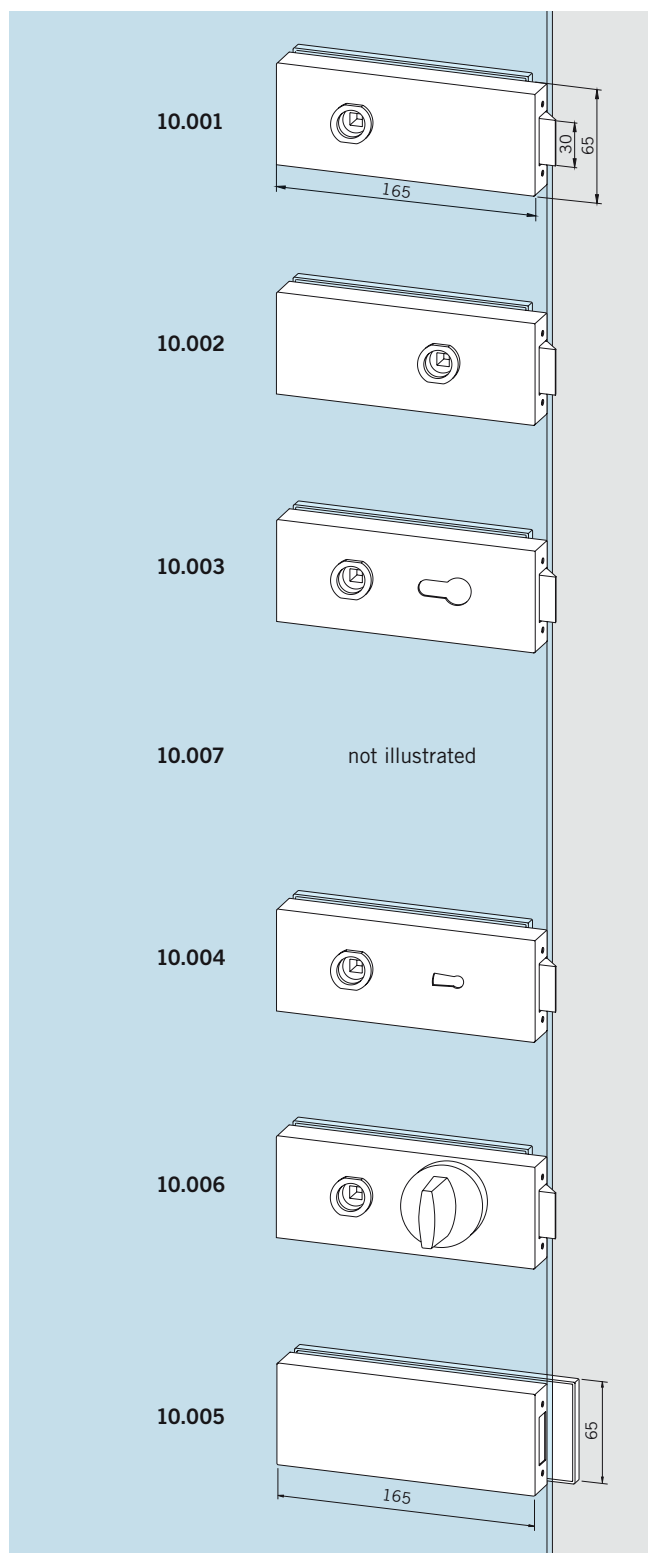
# LOCKS WITH FOLLOWER

According to DIN 18251, class 3, according to type testing (see page 4 – 5)

Locks for 8 mm glass thickness / 24 mm rebate depth,  
10 mm glass thickness / 26 mm rebate depth resp.

Prepared for all levers without roses with 8 mm square spindles, spindle length for 44 mm lock thickness and 18 mm Ø follower, max. 8 mm long.

Hinges see page 28.



- Lock,**  
non-locking,

**Art. No. 10.001**  
Weight in kg: alumin. 0.840
  
- Lock,**  
non-locking, with follower forward

**Art. No. 10.002**  
Weight in kg: alumin. 0.845
  
- Lock,**  
prepared for Europrofile cylinder, nightlatch function

**Art. No. 10.003**  
Weight in kg: alumin. 0.815
  
- Lock,**  
prepared for KABA, nightlatch function

**Art. No. 10.207**  
Weight in kg: alumin. 0.813
  
- Lock,**  
lever lock, nightlatch function, 2 keys supplied

**Art. No. 10.004**  
Weight in kg: alumin. 0.850
  
- Lock,**  
WC-toilet door

**Art. No. 10.006**  
Weight in kg: alumin. 1.111
  
- Strike box,**  
for pairs of doors

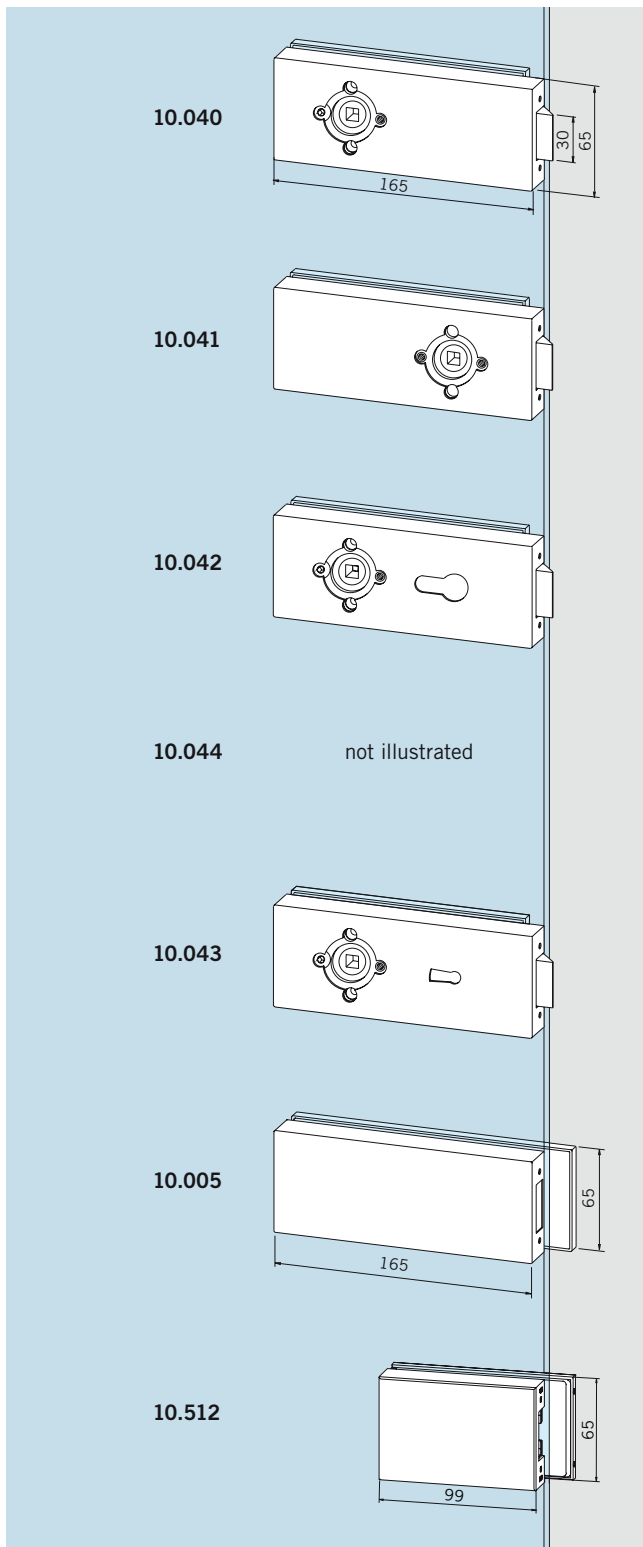
**Art. No. 10.005**  
Weight in kg: alumin. 0.610

# LOCKS FOR LEVERS WITH ROSES

According to DIN 18251, class 3, according to type testing  
(see page 4 – 5)

Hinges see page 28.

Locks for 8 mm glass thickness / 24 mm rebate depth,  
10 mm glass thickness / 26 mm rebate depth resp.



**Lock,**  
non-locking,

**Art. No. 10.040**

Weight in kg: alumin. 1.580

**Lock,**  
non-locking, with follower  
forward

**Art. No. 10.041**

Weight in kg: alumin. 0.845

**Lock,**  
prepared for Europrofile  
cylinder, nightlatch function

**Art. No. 10.042**

Weight in kg: alumin. 0.815

**Lock,**  
prepared for KABA, nightlatch  
function

**Art. No. 10.044**

Weight in kg: alumin. 0.813

**Lock,**  
lever lock, nightlatch function,  
2 keys supplied

**Art. No. 10.043**

Weight in kg: alumin. 0.850

**Strike box,**  
for pairs of doors

**Art. No. 10.005**

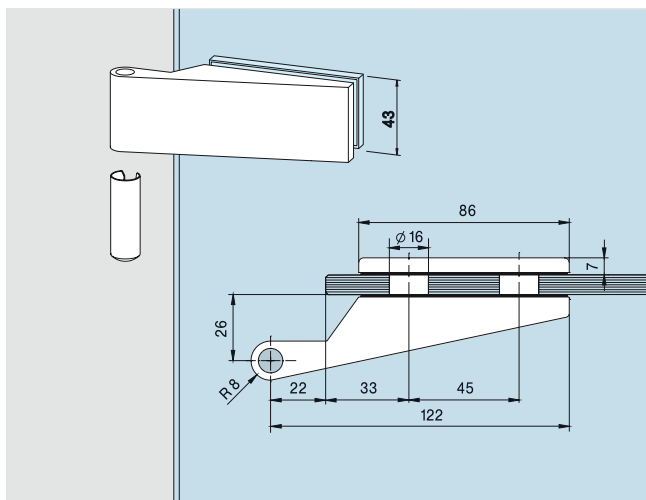
Weight in kg: alumin. 0.610

**Strike box short**  
for pairs of doors

**Art. No. 10.512**

Weight in kg: alumin. 0.610

# HINGES FOR 8 MM AND 10 MM GLASS THICKNESS



**Hinge with frame pivot,**  
complete with sleeve

for 8 mm glass thickness,  
24 mm rebate depth

**Art. No. 10.021**

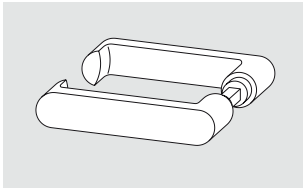
for 10 mm glass thickness,  
26 mm rebate depth

**Art. No. 10.020**

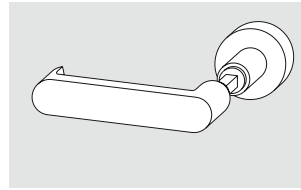
Weight in kg: alumin. 0.319

## SETS OF LEVERS FOR LOCKS WITH FOLLOWER

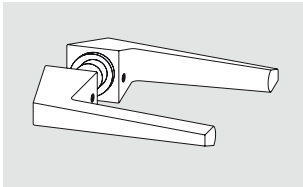
---



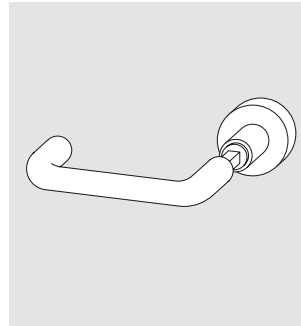
**Set of levers,**  
with flat hand part, extended  
colour options  
**Art. No. 10.314**  
Weight in kg: alumin. 0.290  
brass 0.760



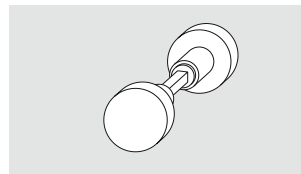
**Lever and knob set,**  
lever with flat hand part, fixed  
knob, for use with nightlatch  
function locks  
**Art. No. 10.304**  
Weight in kg: alumin. 0.270



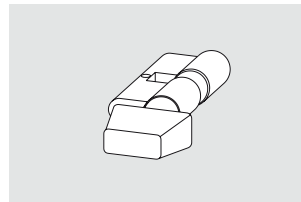
**Set of levers,**  
with angular hand part  
**Art. No. 10.010**  
Weight in kg: alumin. 0.392



**Lever and knob set,**  
tubular lever with free  
turning knob  
(turning without function)  
**Art. No. 10.316**  
Weight in kg: alumin. 0.335



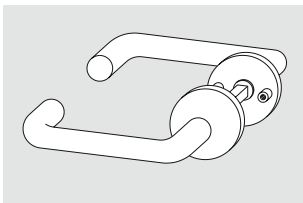
**Set of knobs, turning knob**  
**Art. No. 10.305**  
Weight in kg: alumin. 0.255



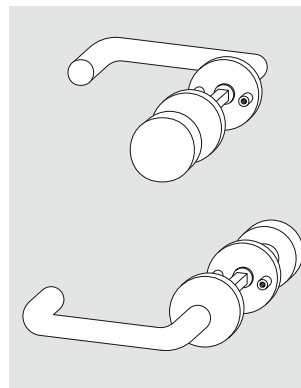
**Thumbturn cylinders (WC),**  
for locks prepared for  
Europrofile cylinder,  
thumbturn in aluminium,  
extended colour options  
**Art. No. 10.310**  
Weight in kg: 0.225

## SETS OF LEVERS FOR LOCKS PREPARED FOR LEVERS WITH ROSES

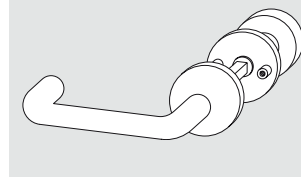
---



**Set of levers,**  
tubular, with roses  
**Art. No. 10.307**  
Weight in kg: alumin. 0.320



**Lever and knob set,**  
tubular lever with fixed knob,  
with roses  
**Art. No. 10.318**  
Weight in kg: alumin. 0.400



**Lever and knob set,**  
tubular lever with knob,  
with roses  
**Art. No. 10.319**  
Weight in kg: alumin. 0.400

Further sets of levers see pages 34, 43, 51.

## STUDIO GALA

---

Studio Gala emphasises the complete harmonic shape of locks and handles in a superior ambience.

### **Lock Studio Gala**

32 – 33

### **Hinges**

34

### **Sets of levers**

34

### **Frame pivots**

35

### **Strike plates/Profile cylinder**

35

### **Applications**

36 – 37

### **Special hinges**

62 – 64

### **Door rails**

65 – 67

### **Door bolts/Accessories**

67 – 68

### **Mounting of door closers**

69 – 70

### **Finishes and colours**

71

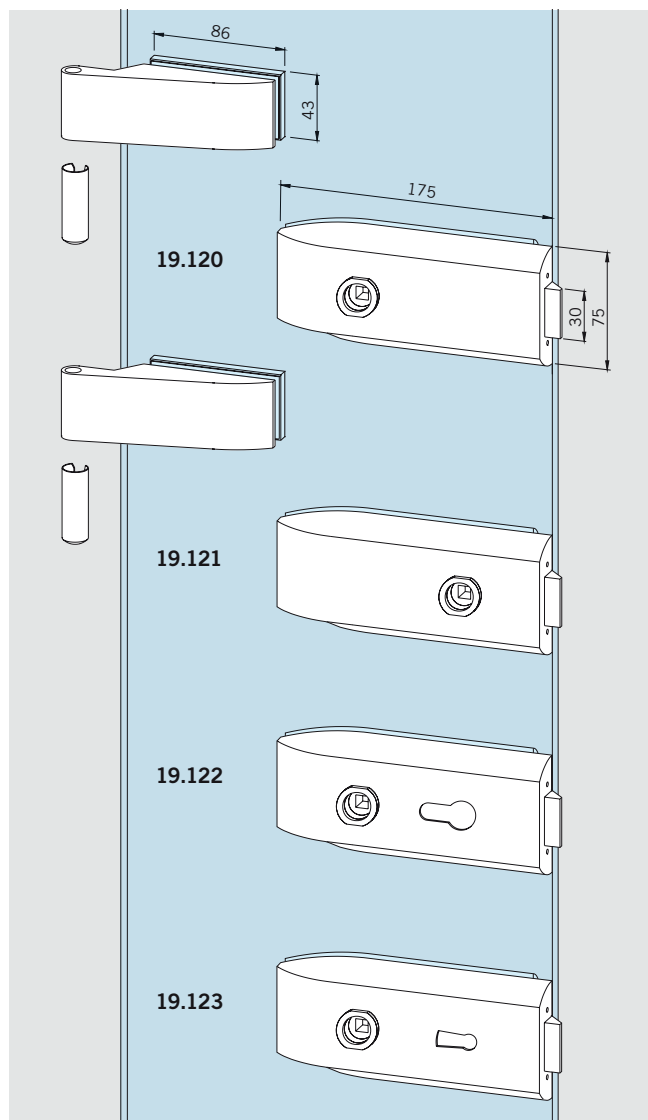


# COMPLETE DOORSETS FOR 8 MM GLASS THICKNESS, LOCKS WITH FOLLOWER

Locks acc. to DIN 18251, class 3, according to type testing  
(see page 4 – 5)

Door weight max. 45 kg, door width max. 1000 mm  
rebate depth 24 mm (for 8 mm glass thickness)

Prepared for all levers without roses with 8 mm square spindles,  
spindle length for 44 mm lock thickness and 18 mm Ø follower,  
max. 8 mm long.



**Lock with 2 hinges,**  
non-locking lock,  
hinges with sleeves

**Art. No. 19.120**

Weight in kg: alumin. 1.920  
brass 2.660

**Lock with 2 hinges,**  
non-locking lock with  
follower forward,  
hinges with sleeves

**Art. No. 19.121**

Weight in kg: alumin. 1.880  
brass 2.645

**Lock with 2 hinges,**  
lock prepared for Europrofile  
cylinder, nightlatch function,  
hinges with sleeves

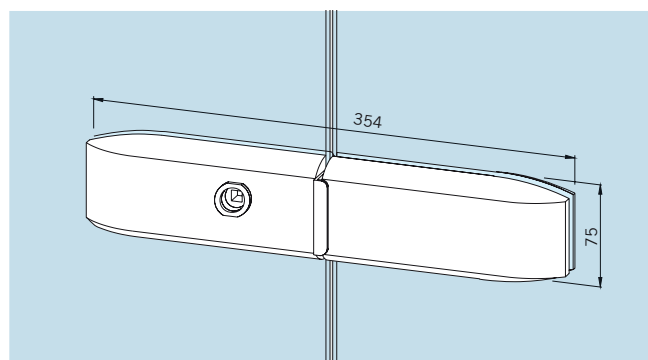
**Art. No. 19.122**

Weight in kg: alumin. 1.915  
brass 2.660

**Lock with 2 hinges,**  
lever lock, nightlatch function,  
2 keys supplied,  
hinges with sleeves

**Art. No. 19.123**

Weight in kg: alumin. 1.965  
brass 2.700



**Doorset for pairs of doors,**  
consisting of:  
Lock without free glass edge,  
levers forward, strike box,  
4 hinges with sleeves,  
door bolt and door catch

**Art. No. 19.111**

Weight in kg: alumin. 3.200  
brass 4.214

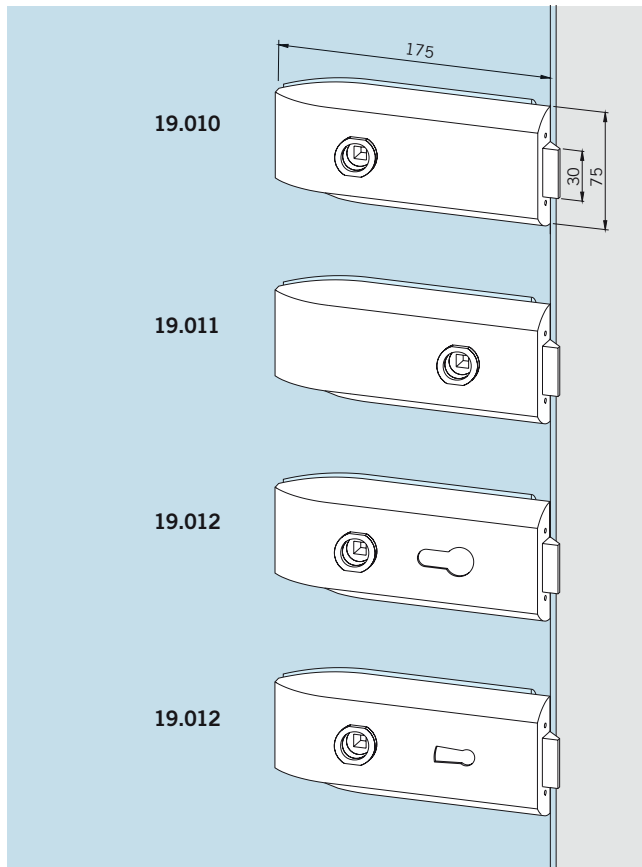


## LOCKS WITH FOLLOWER

According to DIN 18251, class 3, according to type testing  
(see page 4 – 5)

Locks for 8 mm glass thickness / 24 mm rebate depth

Prepared for all levers without roses with 8 mm square spindles,  
spindle length for 44 mm lock thickness and 18 mm  $\varnothing$  follower,  
max. 8 mm long.  
Hinges see page 34.



**Lock,**  
non-locking

**Art. No. 19.010**

Weight in kg: alumin. 0.690  
brass 0.972

**Lock,**  
non-locking, with follower  
forward

**Art. No. 19.011**

Weight in kg: alumin. 0.679  
brass 0.957

**Lock,**  
prepared for Europrofile cylinder,  
nightlatch function

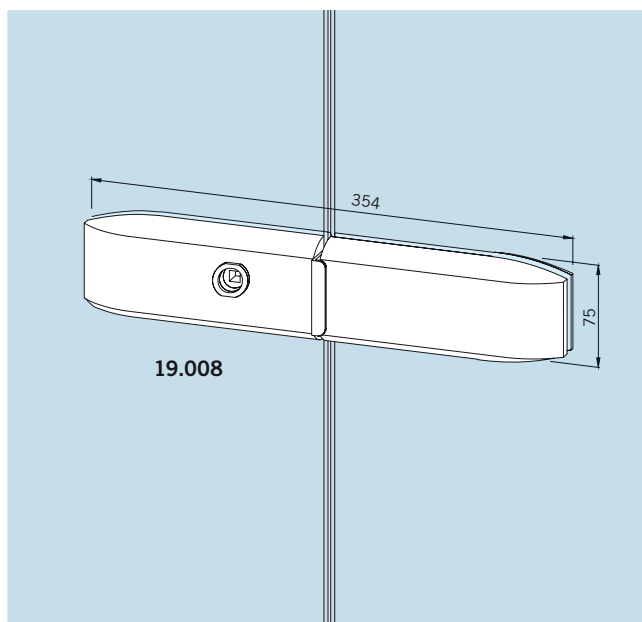
**Art. No. 19.012**

Weight in kg: alumin. 0.690  
brass 0.972

**Lock,**  
lever lock, nightlatch function,  
2 keys supplied

**Art. No. 19.013**

Weight in kg: alumin. 0.718  
brass 1.012



**Locks with follower, without free glass edge, with angle stulp bracket  
for 2 panel system with strike boxes**

Not illustrated:

**Lock,**  
non-locking

**Art. No. 19.015**

Weight in kg: alumin. 0.723  
brass 1.020

**Lock,**  
non-locking, with follower  
forward

**Art. No. 19.008**

Weight in kg: alumin. 0.723  
brass 1.005

Not illustrated:

**Lock,**  
prepared for Europrofile  
cylinder, nightlatch function

**Art. No. 19.016**

Weight in kg: alumin. 0.723  
brass 1.020

Not illustrated:

**Lock,**  
lever lock, nightlatch function,  
2 keys supplied

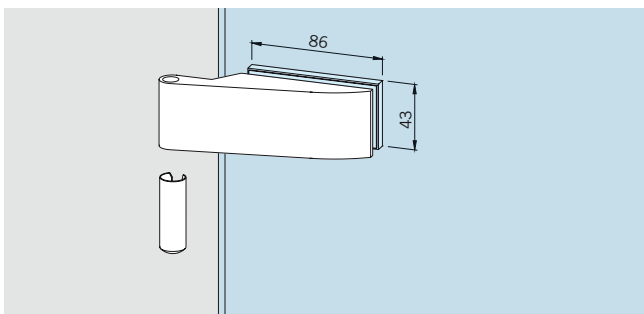
**Art. No. 19.017**

Weight in kg: alumin. 0.763  
brass 1.060

## HINGES

---

Door weight max. 45 kg, door width max. 1000 mm  
rebate depth 24 mm

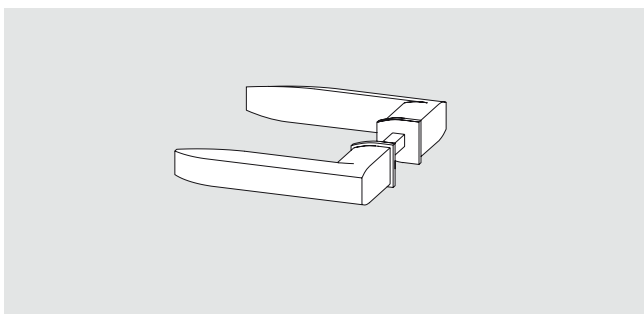


**Hinge with frame pivot,**  
complete with sleeve

**Art. No. 19.005**  
Weight in kg: alumin. 0.342

## SETS OF LEVERS

---

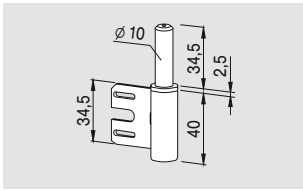


**Set of levers**

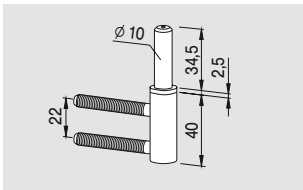
**Art. No. 19.009**  
Weight in kg: alumin. 0.350

**Further sets of levers see pages 29, 34, 43, 51.**

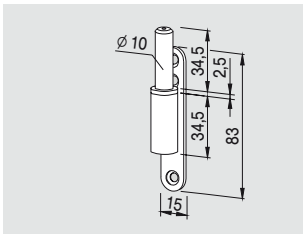
## FRAME PIVOTS



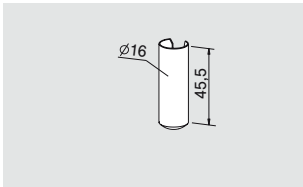
**Frame pivot for steel frames,**  
with extra enhanced pivot pin  
for Studio hinges, zinc plated  
steel, plastic coated pivot pin  
**Art. No. 10.423**  
Weight in kg: 0.078



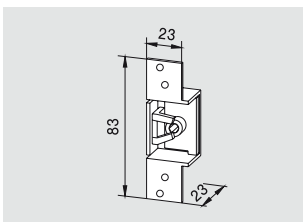
**Frame pivot for wooden frames,**  
with extra enhanced pivot pin  
for Studio hinges, zinc plated  
steel, plastic coated pivot pin  
**Art. No. 10.424**  
Weight in kg: 0.090



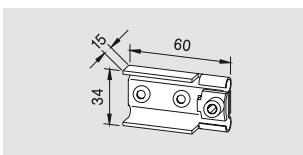
**Screw-on frame pivot,**  
with extra enhanced pivot pin  
for Studio hinges, zinc plated  
steel, plastic coated pivot pin  
**Art. No. 10.407**  
Weight in kg: 0.094



**Push-on sleeve for frame pivots**  
Art. No. 10.400, 10.404,  
10.407  
**Art. No. 10.408**  
Weight in kg: alumin. 0.002  
brass 0.006

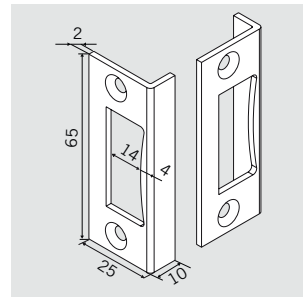


**Frame pocket for steel frame,**  
zinc plated steel  
**Art. No. 10.406**  
Weight in kg: 0.073

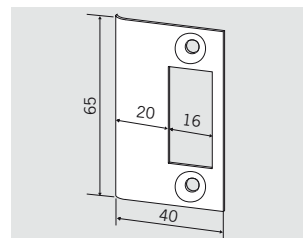


**Frame pocket for wooden frame,**  
zinc plated steel  
**Art. No. 10.405**  
Weight in kg: 0.060

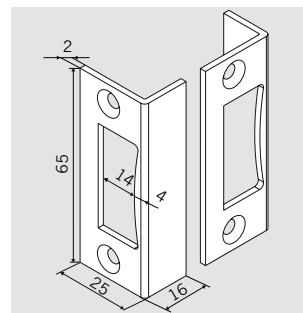
## STRIKE PLATES



**Corner strike plate**  
**Art. No. 10.401**  
Weight in kg: alumin. 0.008

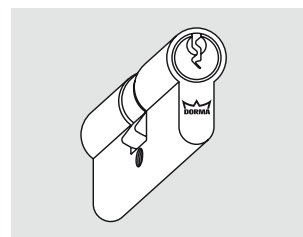


**Strike plate**  
**Art. No. 10.421**  
Weight in kg: s/s 0.019



**Corner strike plate**  
with 16 mm side piece  
**Art. No. 10.411**  
Weight in kg: alumin. 0.008

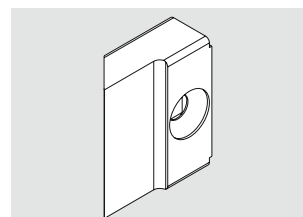
## PROFILE CYLINDER



**Profile cylinder,**  
length 61 mm, differently keyed,  
with DORMA Logo  
**Art. No. 05.001**

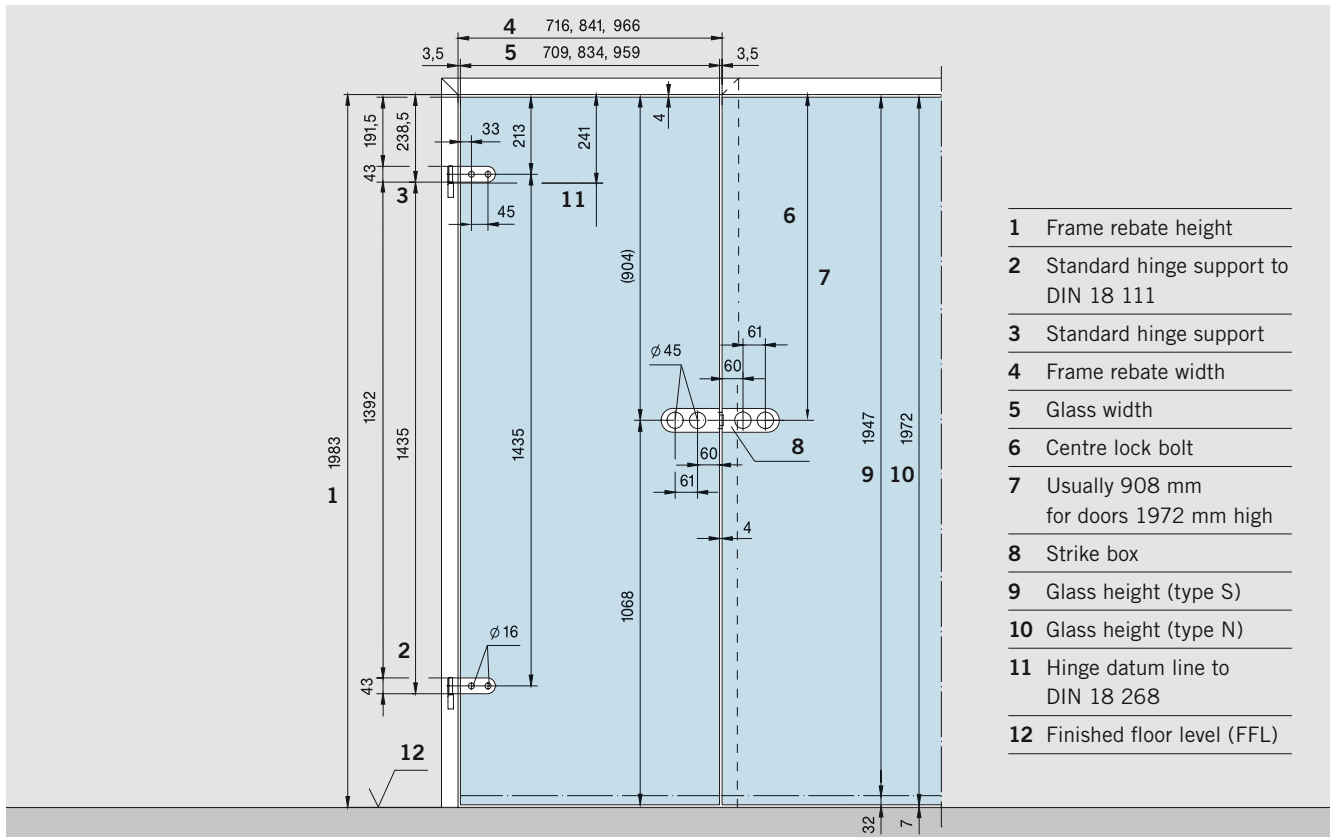
**Profile cylinder,**  
length 61 mm, equally keyed,  
with DORMA Logo  
**Art. No. 05.002**

## SPECIAL LATCH



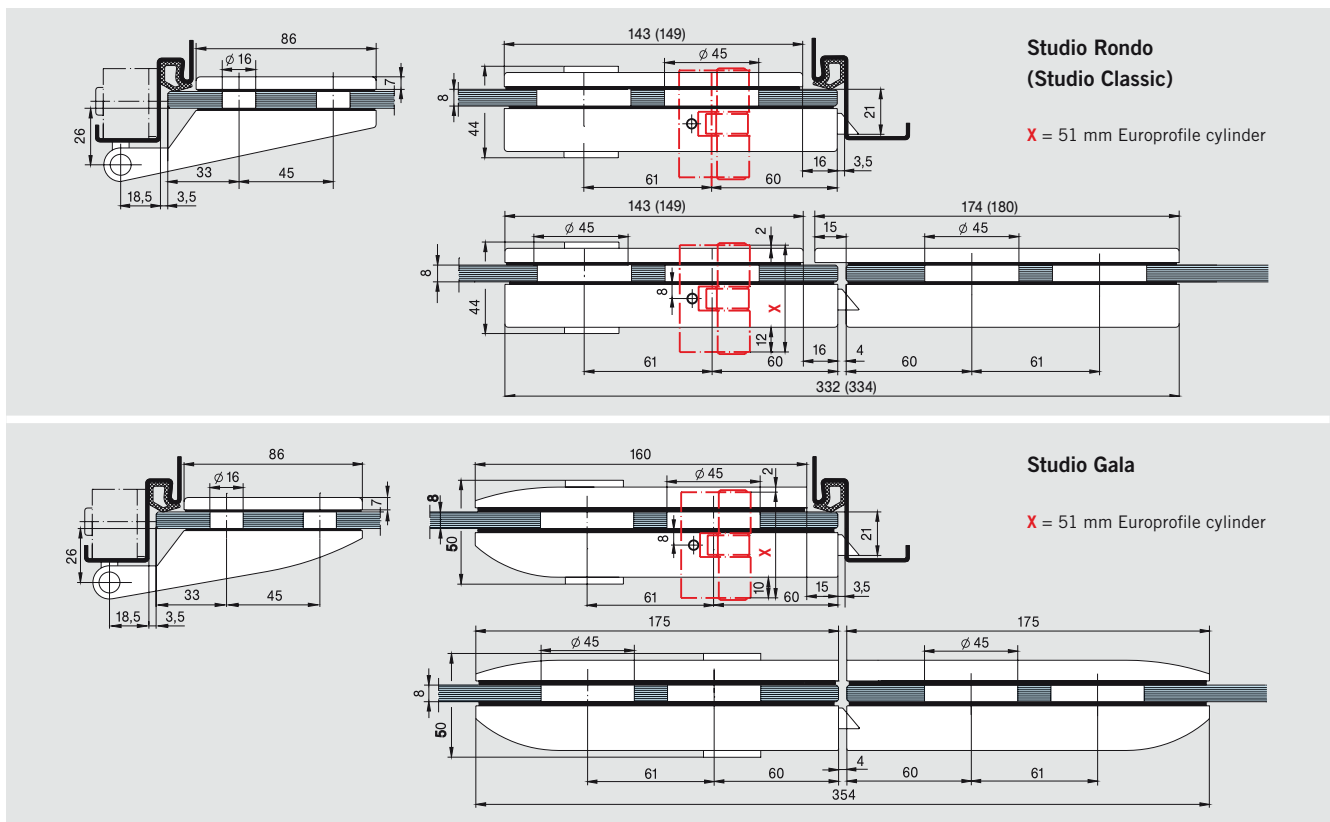
**Single latch for Austrian norm**  
**frames** and for the combination  
of 10 mm glass with a 24 mm  
frame depth, usable for Studio  
Rondo, Classic, Gala and ARCOS  
**Art. No. 10.066**

# CONSTRUCTION DIMENSIONS FOR FRAME PIVOTS (as to page 35)

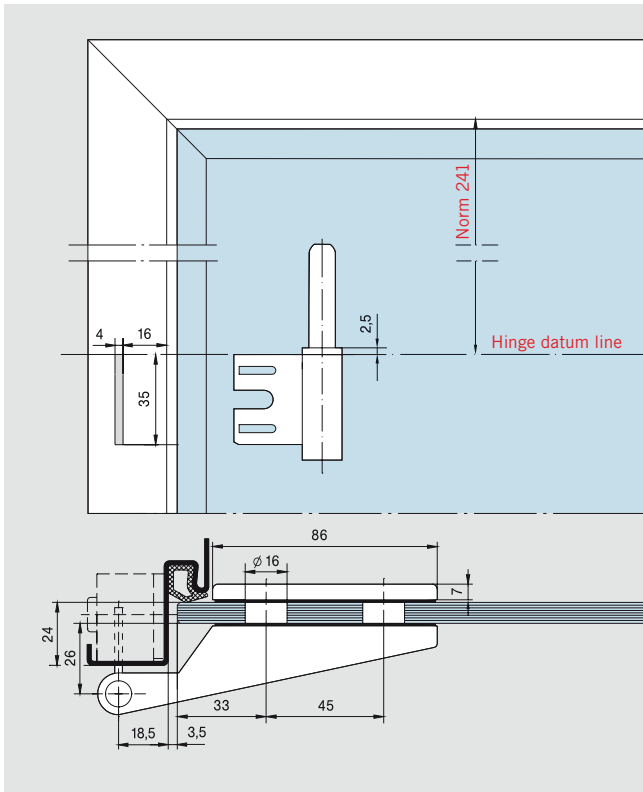


- 1** Frame rebate height
- 2** Standard hinge support to DIN 18 111
- 3** Standard hinge support
- 4** Frame rebate width
- 5** Glass width
- 6** Centre lock bolt
- 7** Usually 908 mm for doors 1972 mm high
- 8** Strike box
- 9** Glass height (type S)
- 10** Glass height (type N)
- 11** Hinge datum line to DIN 18 268
- 12** Finished floor level (FFL)

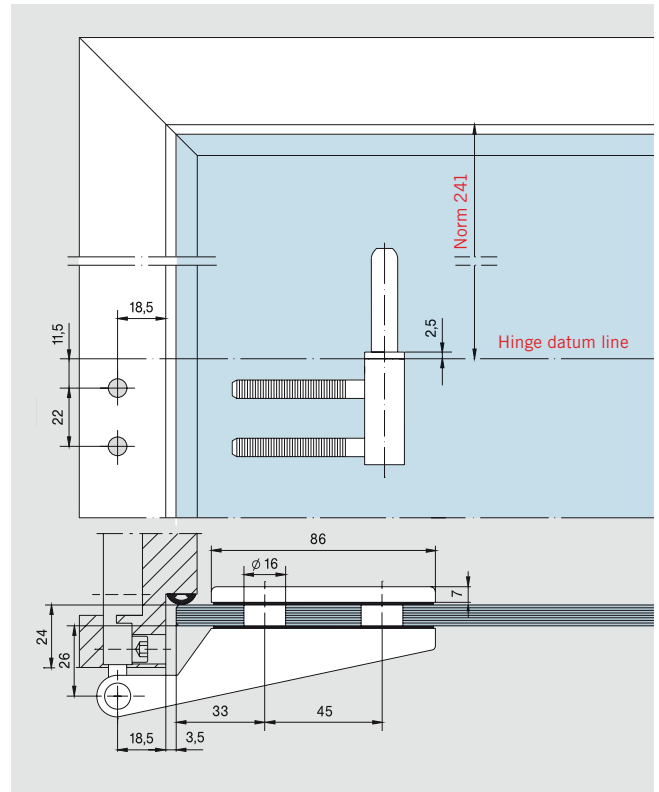
## SECTION STUDIO RONDO/CLASSIC, STUDIO GALA



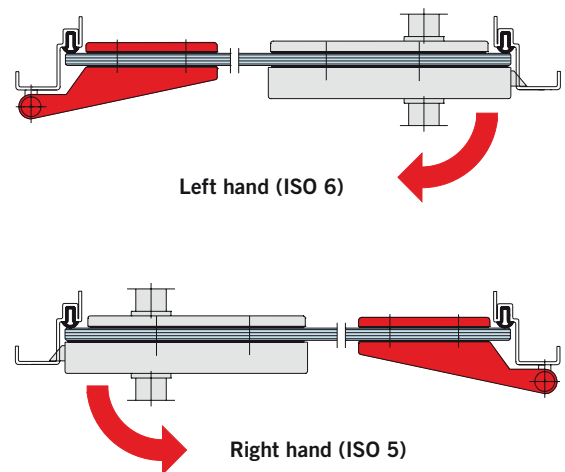
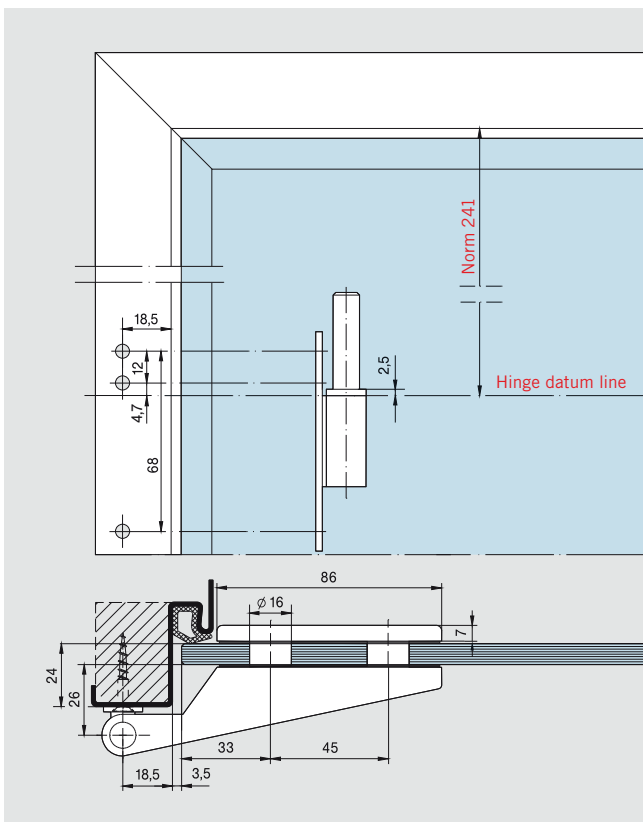
## FRAME PIVOTS FOR STEEL FRAMES



## FRAME PIVOTS FOR WOODEN FRAMES



## SCREW ON FRAME PIVOT



## JUNIOR OFFICE

---

Designed for demanding specifications, the accessories in the Junior Office range will give reliable service in busy environments. The range of locks, levers and hinges is wide enough to offer plenty of scope for design opportunities.

### **Lock Junior Office**

40 – 42

### **Sets of levers**

43

### **Hinges**

43 – 45

### **Strike plate**

### **Profile cylinder**

### **Frame pivots**

54 – 55

### **Applications**

56 – 59

### **Special hinges**

62 – 64

### **Door rails**

65 – 67

### **Door bolts/Accessories**

67 – 68

### **Mounting of door closers**

69 – 70

### **Finishes and colours**

71



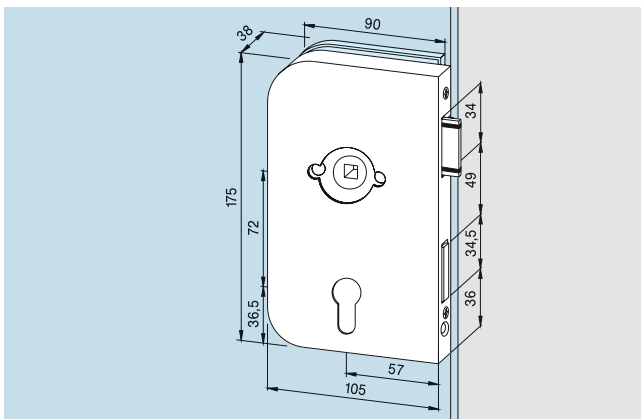
## TECHNICAL FEATURES

- Lock insert with low-noise “whisper” functionality as standard. The whisper latch (study metal latch – partially plastics-sheathed and damped latch motions for noise minimisation) satisfy particularly high expectations, including the requirements of government agencies and public authorities.
- Adjustable lever handle follower  $\pm 1^\circ$ , patent pending, for avoidance of “lever handle sag” (droop). Further on a special self-adjusting clamp follower holds the lever handle perfectly secure.
- The fully closed lock case provides optimum protection for the internal components which themselves are of rugged unit construction.
- Locks comply to the current DIN EN 12209. They are designed for use in public buildings.
- Moreover these locks were tested successfully by a neutral testing institute with 500,000 latch and 100,000 locking bolt operating cycles.
- Special versions of the fitting manufactured in high-grade corrosion-resistant materials are available for wet room applications.

## LOCKS FOR LEVERS WITH ROSES

### Complying to the current DIN EN 12209

Locks supplied as standard for 8 mm glass thickness / 24 mm rebate depth, 10 mm glass thickness / 26 mm rebate depth resp. Hinges page 53 – 55 (also to suit doors with no over-rebate and rebate depth 25 – 40 mm)

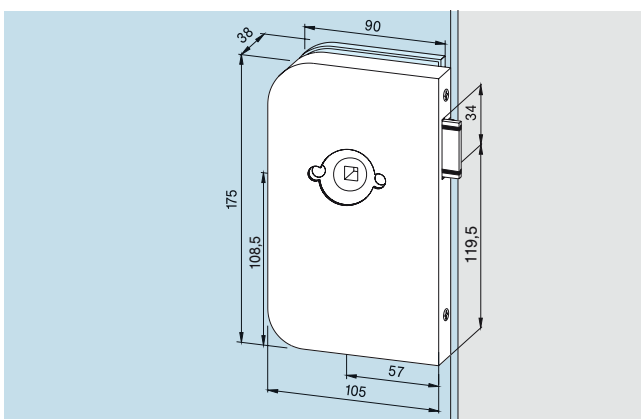


**Lock,**  
prepared for Europrofile cylinder,  
nightlatch function, extended  
colour options, also available in  
brass or stainless steel

**Art. No. 11.200 L** (as illustr.)  
**Art. No. 11.201 R**  
Weight in kg: alumin. 1.214  
brass 1.542  
stainless steel 1.505

**Lock,**  
prepared for Europrofile cylinder,  
nightlatch function, lock corro-  
sion-resistant

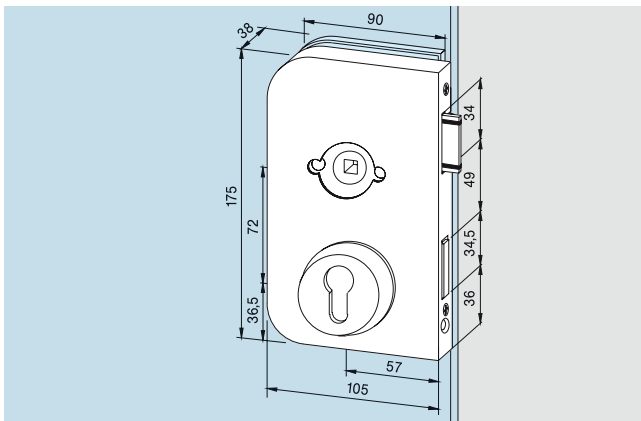
**Art. No. 11.210 L** (as illustr.)  
**Art. No. 11.211 R**  
Weight in kg: alumin. 1.230



**Lock,**  
non-locking, extended colours  
options, also available in  
stainless steel

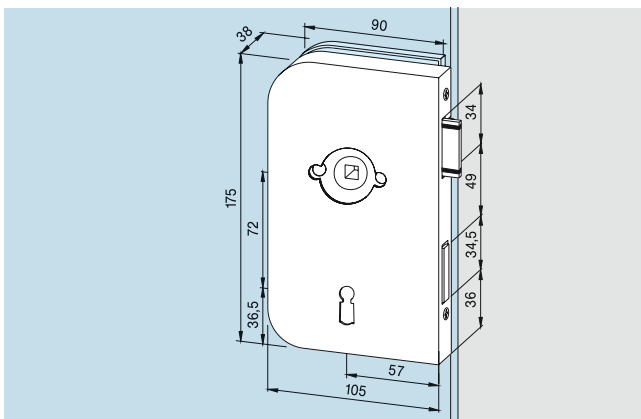
**Art. No. 11.212 L** (as illustr.)  
**Art. No. 11.213 R**  
Weight in kg: alumin. 1.210  
stainless steel 1.368





**Lock,**  
prepared for Europrofile cylinder,  
nightlatch function, cylinder rose  
on lock side, extended colour  
options, also available in brass

**Art. No. 11.242 L** (as illustr.)  
**Art. No. 11.243 R**  
Weight in kg: alumin. 1.200



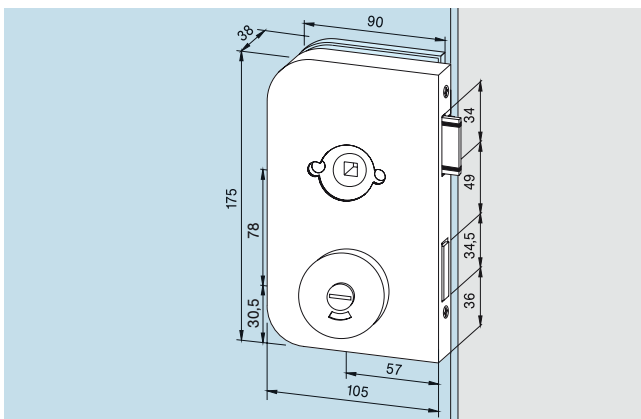
**Lock,**  
lever lock, without nightlatch  
function, 2 keys supplied, also  
available in stainless steel

**Art. No. 11.202 L** (as illustr.)  
**Art. No. 11.203 R**  
Weight in kg: alumin. 1.115  
stainless steel 1.383

Not illustrated:

**Lock,**  
prepared for KABA, nightlatch  
function

**Art. No. 11.240 L**  
**Art. No. 11.241 R**  
Weight in kg: alumin. 1.075

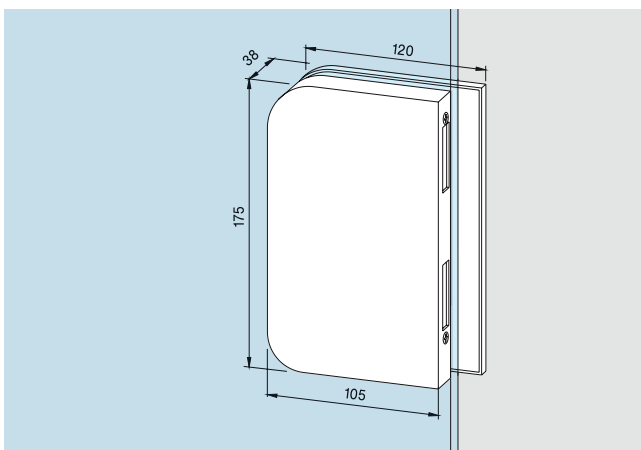


**Lock,**  
bathroom lock function

**Art. No. 11.204 L** (as illustr.)  
**Art. No. 11.205 R**  
Weight in kg: alumin. 1.040

**Lock,**  
bathroom lock function,  
lock corrosion resistant

**Art. No. 11.214 L** (as illustr.)  
**Art. No. 11.215 R**  
Weight in kg: alumin. 1.210



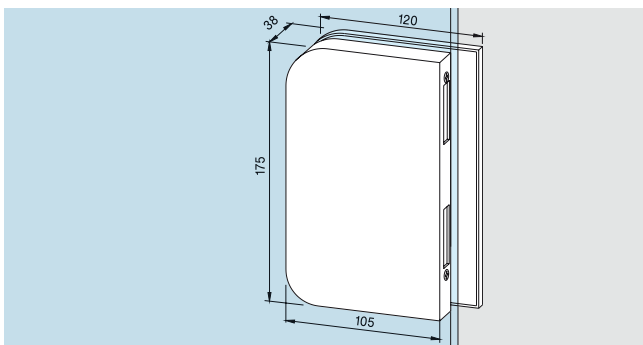
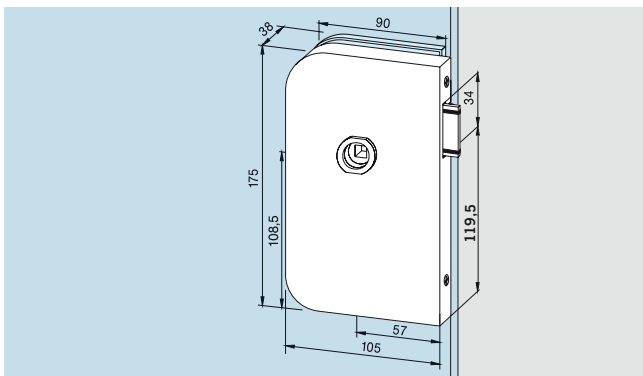
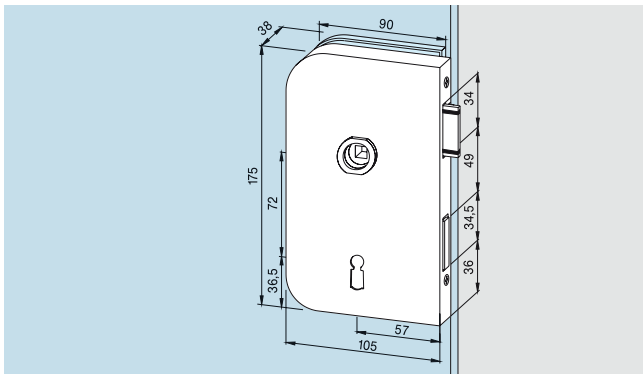
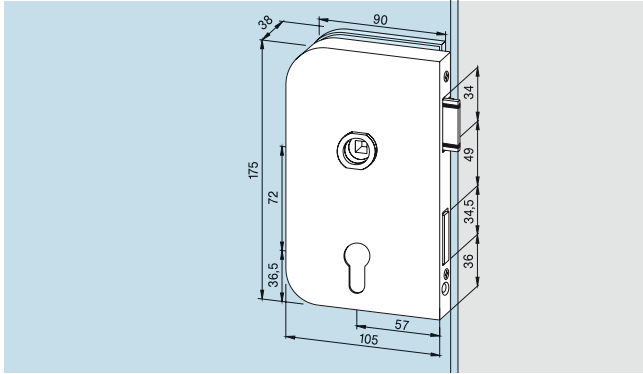
**Strike box,**  
for pairs of doors, extended  
colour options, also available in  
brass

**Art. No. 11.206 L** (as illustr.)  
**Art. No. 11.207 R**  
Weight in kg: alumin. 1.019  
brass 1.420  
stainless steel 1.335

## LOCKS WITH FOLLOWER

### Complying to the current DIN EN 12209

Locks supplied as standard for 8 mm glass thickness / 24 mm rebate depth, 10 mm glass thickness / 26 mm rebate depth resp.



Prepared for all levers without roses with 8 mm square spindles, spindle length for 44 mm lock thickness and 18 mm  $\varnothing$  follower, max. 8 mm long.

Hinges page 53 – 55 (also to suit doors with no over-rebate and rebate depth 25 – 40 mm)

**Lock,**  
prepared for Europrofile cylinder,  
nightlatch function, extended  
colour options, also available in  
brass or stainless steel

**Art. No. 11.260 L** (as illustr.)  
**Art. No. 11.261 R**  
Weight in kg: alumin. 1.165  
brass 1.598  
stainless steel 1.445

**Lock,**  
lever lock, without nightlatch  
function, 2 keys supplied, also  
available in stainless steel

**Art. No. 11.262 L** (as illustr.)  
**Art. No. 11.263 R**  
Weight in kg: alumin. 1.115  
stainless steel 1.383

Not illustrated:

**Lock,**  
prepared for KABA, without  
nightlatch function,  
2 keys supplied, also available  
in stainless steel

**Art. No. 11.266 L**  
**Art. No. 11.267 R**  
Weight in kg: alumin. 1.113  
stainless steel 1.378

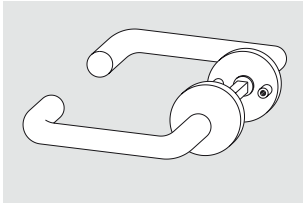
**Lock,**  
non-locking, also available in  
stainless steel

**Art. No. 11.264 L** (as illustr.)  
**Art. No. 11.265 R**  
Weight in kg: alumin. 1.040  
stainless steel 1.290

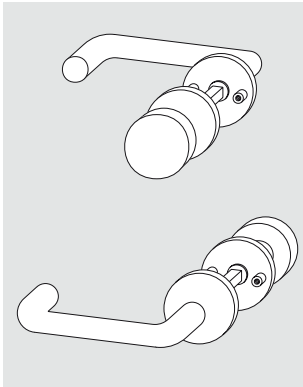
**Strike box,**  
for pairs of doors, extended  
colour options, also available in  
brass

**Art. No. 11.206 L** (as illustr.)  
**Art. No. 11.207 R**  
Weight in kg: alumin. 0.945  
brass 1.488  
stainless steel 1.335

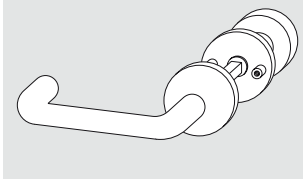
## SETS OF LEVERS



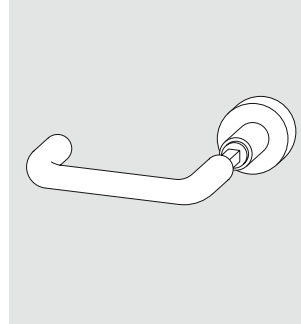
**Set of levers,**  
tubular, with roses  
**Art. No. 10.307**  
Weight in kg: alumin. 0.320



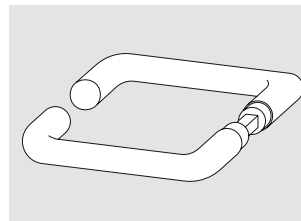
**Lever and knob set,**  
tubular lever with fixed knob,  
with roses  
**Art. No. 10.318**  
Weight in kg: alumin. 0.400



**Lever and knob set,**  
tubular lever with knob,  
with roses  
**Art. No. 10.319**  
Weight in kg: alumin. 0.400



**Lever and knob set,**  
tubular lever with free turning  
knob (turning without function)  
**Art. No. 10.316**  
Weight in kg: alumin. 0.335



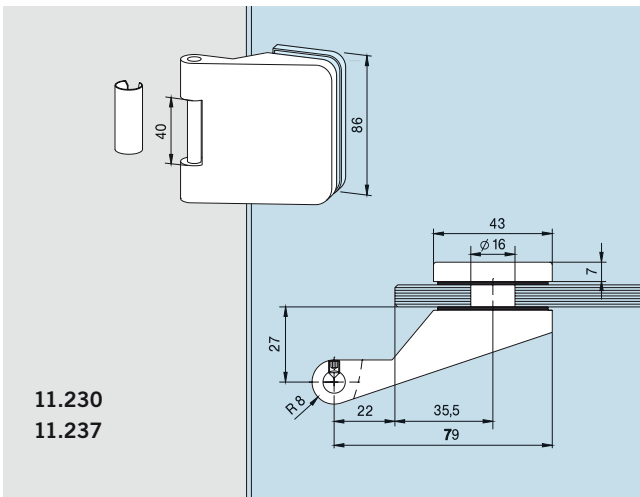
**Lever and knob set,**  
tubular lever with turning knob  
**Art. No. 10.317**  
Weight in kg: alumin. 0.345

**Set of levers, tubular,**  
for follower  
**Art. No. 10.301**  
Weight in kg: alumin. 0.320  
brass 0.450

Further sets of levers see pages 29, 34, 43, 51.

## HINGES FOR /WITH FRAME PIVOTS

For 8 mm glass thickness / 24 mm rebate depth,  
10 mm glass thickness / 26 mm rebate depth resp.,  
max. door width 1000 mm



**11.230**  
**11.237**

**Hinge for frame pivot,**  
complete with sleeve, zinc plated  
steel pin, door weight max. 55 kg

**Art. No. 11.230\***  
Weight in kg: alumin. 0.358  
brass 0.787

**Hinge for frame pivot,**  
complete with sleeve, stainless  
steel pin, to be used in damp  
environments, door weight  
max. 55 kg

**Art. No. 11.237**  
Weight in kg: alumin. 0.360

Not illustrated:  
**Hinge for frame pivot,**  
complete with sleeve, to suit  
rebate depth 25 – 39 mm,  
door weight max. 45 kg,

**Art. No. 11.245**  
Weight in kg: alumin. 0.530

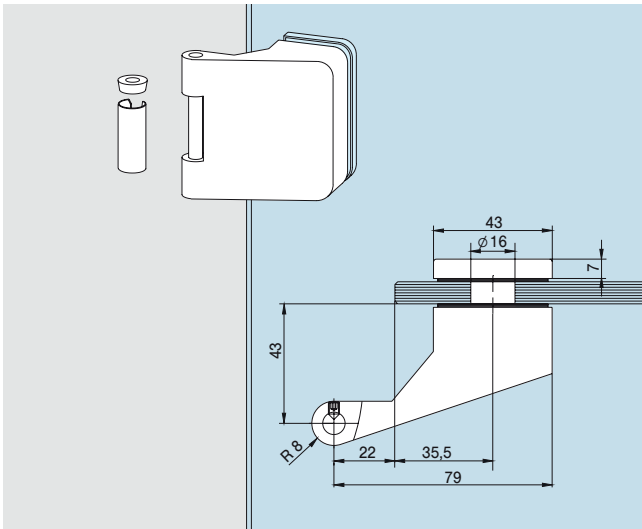
Not illustrated:  
**Hinge for frame pivot,**  
complete with sleeve,  
to suit rebate depth 40 mm,  
door weight max. 45 kg

**Art. No. 11.238**  
Weight in kg: alumin. 1.111

Not illustrated:  
**Hinge for frame pivot,**  
complete with sleeve and ball  
bearing, door weight max.  
60 kg, also available in brass  
or stainless steel

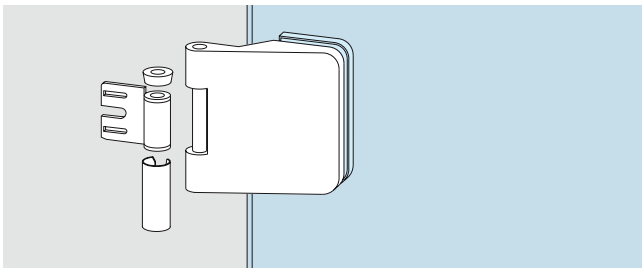
**Art. No. 11.234\*\***  
Weight in kg: alumin. 0.385  
brass 0.792  
stainless steel 0.493

\* Finish satin stainless steel (700), not usable with screw-on frame pivot 11.405 (page 65)  
\*\* Finish satin stainless steel (700), not usable with screw-on frame pivot 11.406 (page 65)



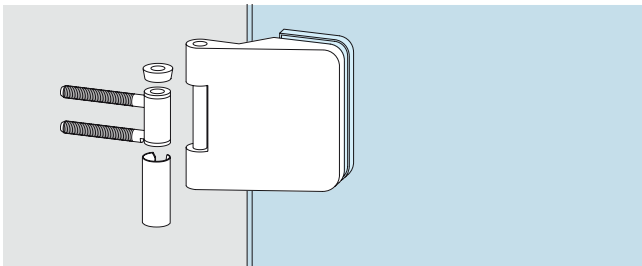
**Hinge for frame pivot,**  
complete with sleeve, to suit  
rebate depth 40 mm with steel  
ball bearing, door weight  
max. 45 kg

**Art. No. 11.244**  
Weight in kg: alumin. 1.100



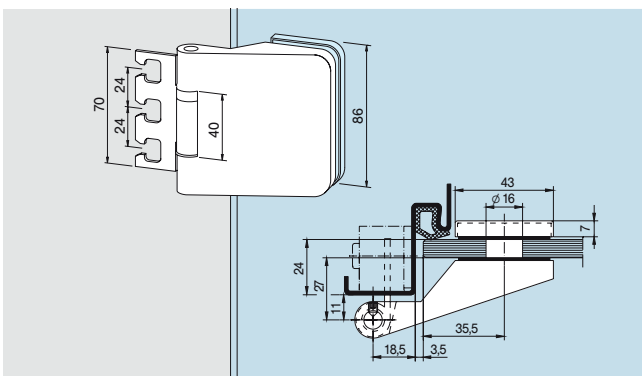
**Hinge with frame pivot  
for steel frames,**  
complete with sleeve, steel ball  
bearing, door weight max.  
60 kg, also available in brass or  
stainless steel

**Art. No. 11.231**  
Weight in kg: alumin. 0.423  
brass 0.830  
stainless steel 0.525



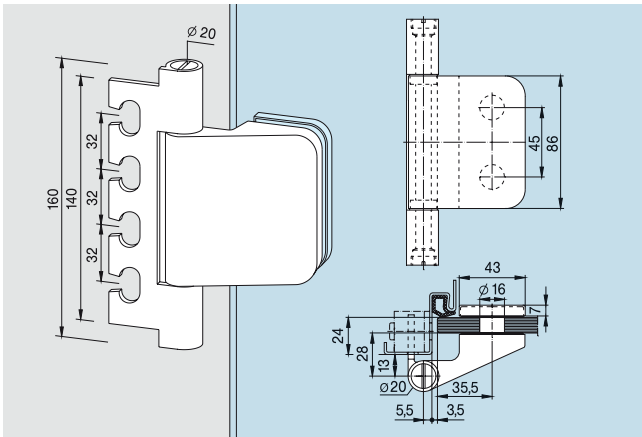
**Hinge with frame pivot  
for wooden frames**  
with sleeve, steel ball bearing,  
door weight max. 60 kg, also  
available in brass or stainless  
steel

**Art. No. 11.232**  
Weight in kg: alumin. 0.407  
brass 0.840  
stainless steel 0.505



**Hinge with frame pivot  
for steel frames**  
with 120 mm type frame  
pocket, complete with sleeve,  
steel ball bearing, door weight  
max. 60 kg, also available in  
brass or stainless steel

**Art. No. 11.247**  
Weight in kg: alumin. 0.435  
brass 0.851  
stainless steel 0.539

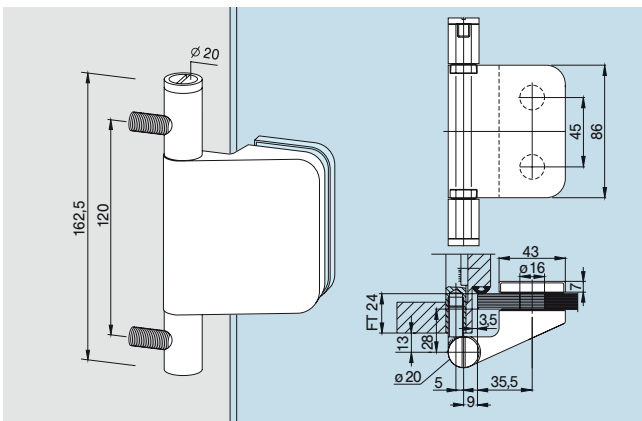


**Hinge for project doors,**  
with 160 mm type frame pocket  
(mating portion VN 7608/160 3D  
or VZK 060-1/3), stainless steel  
pin, plastic slide bearing  
door weight max. 70 kg,  
door width max. 1200 mm

**Art. No. 11.233**  
Weight in kg: alumin. 0.519

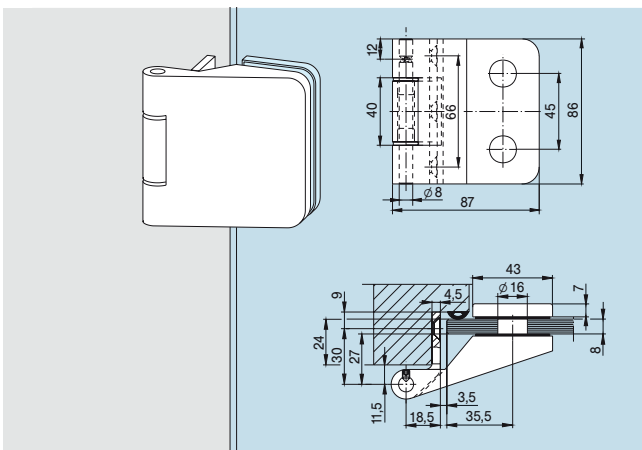
Not illustrated:  
do. for 40 mm rebate depth

**Art. No. 11.340**  
door weight max. 45 kg



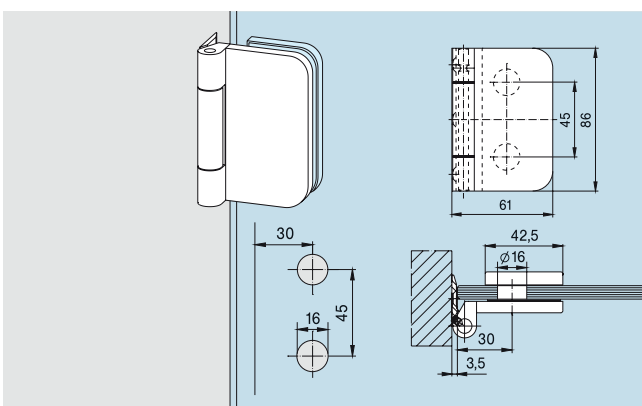
**Hinge for project doors**  
with frame pivot for wooden  
frames, zinc plated frame  
pivots, zinc plated steel pin,  
plastic slide bearing,  
door weight max. 70 kg,  
door width max. 1200 mm

**Art. No. 11.298\***  
Weight in kg: alumin. 0.596



**Hinge with frame pivot  
for wooden frames,**  
hinge flap for mortising into  
frame, zinc plated steel pin,  
plastic bushing,  
door weight max. 55 kg,

door width max. 1000 mm  
**Art. No. 11.239**  
Weight in kg: alumin. 0.425



**Hinge with frame pivot  
for non-rebated frames,**  
hinge flap for screwing onto  
frame, stainless steel pin,  
plastic bushing,  
door weight max. 40 kg,  
door width max. 1000 mm

**Art. No. 12.050**  
Weight in kg: alumin. 0.205

\* Note: Consider separate frame processing

## JUNIOR OFFICE CLASSIC

---

Junior Office Classic convince with timeless classic design. Engineered for high frequented doors, they achieve a large stress capacity. The numerous types fulfill variable requirements.

**Lock Junior Office Classic**  
48 – 50

**Sets of levers**  
51

**Hinges**  
51 – 53

**Strike plate**  
**Profile cylinder**  
**Frame pivots**  
54

**Applications**  
56 – 59

**Special hinges**  
62 – 64

**Door rails**  
65 – 67

**Door bolts / Accessories**  
67 – 68

**Mounting of door closers**  
69 – 70

**Finishes and colours**  
71



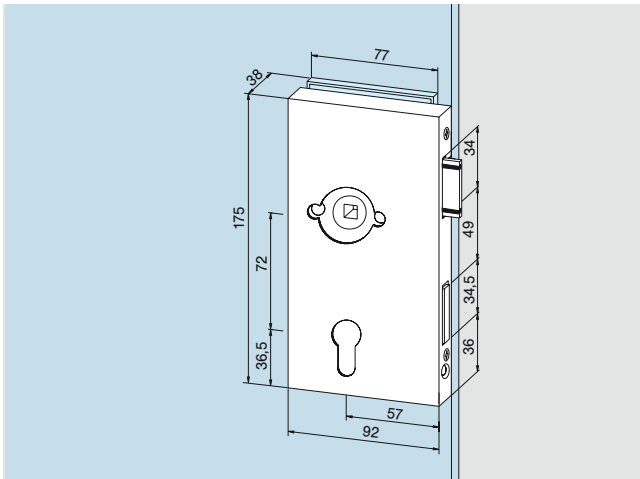
## TECHNICAL FEATURES

- Lock insert with low-noise “whisper” functionality as standard. The whisper latch (study metal latch – partially plastics-sheathed and damped latch motions for noise minimisation) satisfy particularly high expectations, including the requirements of government agencies and public authorities.
- Adjustable lever handle follower  $\pm 1^\circ$ , patent pending, for avoidance of “lever handle sag” (droop). Further on a special self-adjusting clamp follower holds the lever handle perfectly secure.
- The fully closed lock case provides optimum protection for the internal components which themselves are of rugged unit construction.
- Locks comply to the current DIN EN 12209. They are designed for use in public buildings.
- Moreover these locks were tested successfully by a neutral testing institute with 500,000 latch and 100,000 locking bolt operating cycles.
- Special versions of the fitting manufactured in high-grade corrosion-resistant materials are available for wet room applications.

## LOCKS FOR LEVERS WITH ROSES

### Complying to the current DIN EN 12209

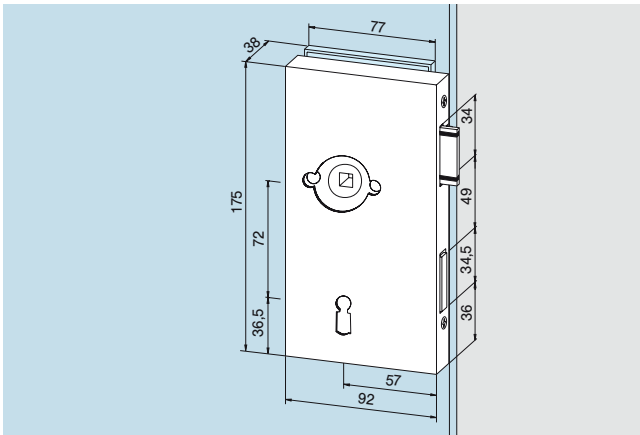
Locks supplied as standard for 8 mm glass thickness / 24 mm rebate depth,  
10 mm glass thickness / 26 mm rebate depth resp. Hinges page 62  
(also to suit doors with no over-rebate and rebate depth 25 – 40 mm)



**Lock,**  
public building type, prepared  
for Europrofile cylinder, night-  
latch function

**Art. No. 11.270 L** (as illustr.)  
**Art. No. 11.271 R**  
Weight in kg: alumin. 1.165



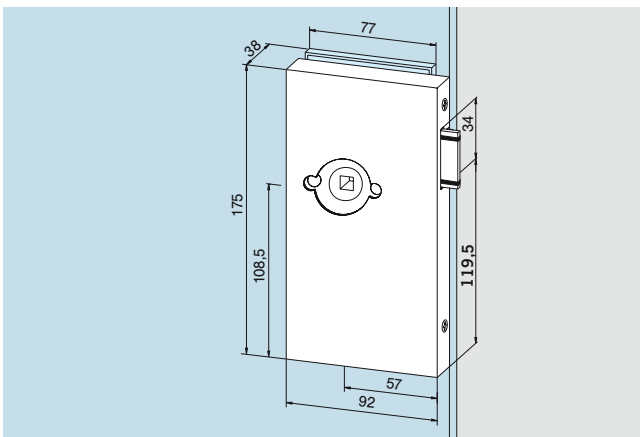


**Lock,**  
locking lever, nightlatch  
function,  
2 keys supplied

**Art. No. 11.272 L** (as illustr.)  
**Art. No. 11.273 R**  
Weight in kg: alumin. 1.115

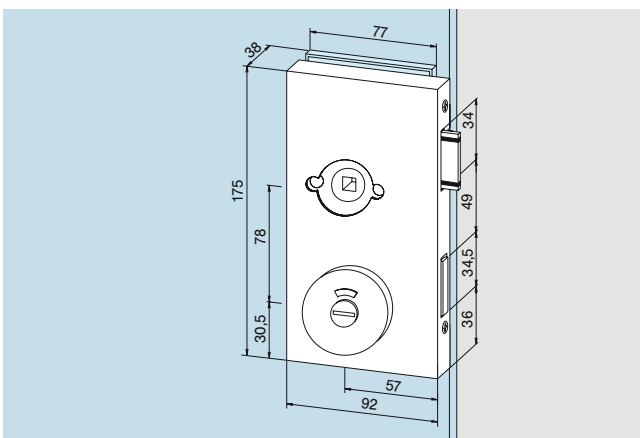
Not illustrated:  
**Lock,**  
prepared for KABA, with  
nightlatch function

**Art. No. 11.278 L**  
**Art. No. 11.279 R**  
Weight in kg: alumin. 1.113



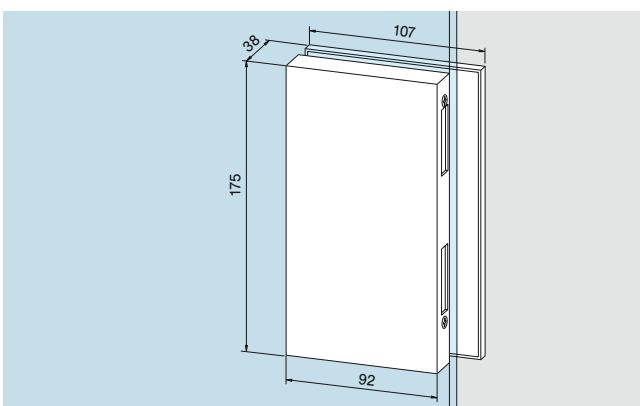
**Lock,**  
non-locking

**Art. No. 11.274 L** (as illustr.)  
**Art. No. 11.275 R**  
Weight in kg: alumin. 1.040



**Lock,**  
bathroom lock function

**Art. No. 11.276 L** (as illustr.)  
**Art. No. 11.277 R**  
Weight in kg: alumin. 1.040



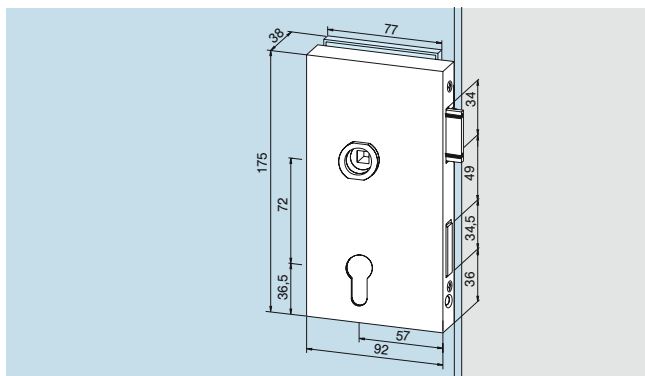
**Strike box,**  
for pairs of doors

**Art. No. 11.286 L** (as illustr.)  
**Art. No. 11.287 R**  
Weight in kg: alumin. 0.945

## LOCKS WITH FOLLOWER

### Complying to the current DIN EN 12209

Locks supplied as standard for 8 mm glass thickness / 24 mm rebate depth, 10 mm glass thickness / 26 mm rebate depth resp.

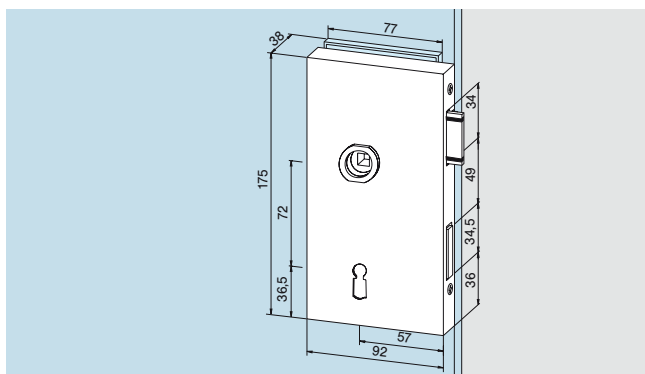


Prepared for all levers without roses with 8 mm square spindles, spindle length for 44 mm lock thickness and 18 mm Ø follower, max. 8 mm long.

Hinges page 62 (also to suit doors with no over-rebate and rebate depth 25 – 40 mm)

**Lock**  
prepared for Europrofile  
cylinder, nightlatch function

**Art. No. 11.280** L (as illustr.)  
**Art. No. 11.281** R  
Weight in kg: alumin. 1.165

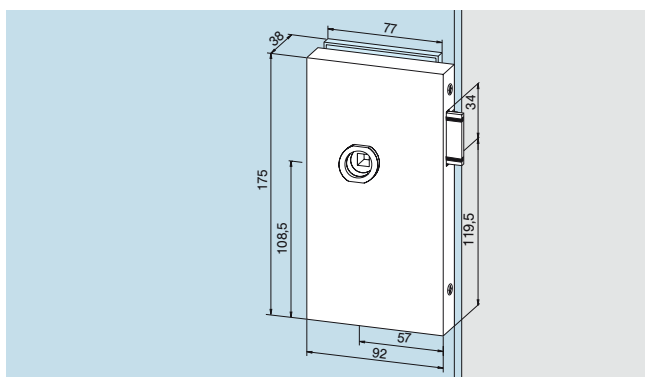


**Lock,**  
lever lock, without nightlatch  
function, 2 keys supplied

**Art. No. 11.282** L (as illustr.)  
**Art. No. 11.283** R  
Weight in kg: alumin. 1.115

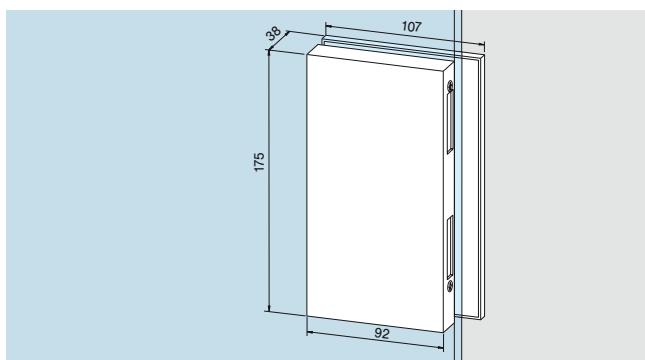
Not illustrated:  
**Lock,**  
prepared for KABA,  
with nightlatch function,  
2 keys supplied

**Art. No. 11.320** L  
**Art. No. 11.321** R  
Weight in kg: alumin. 1.113



**Lock,**  
non-locking

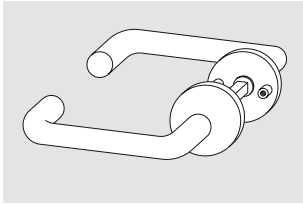
**Art. No. 11.284** L (as illustr.)  
**Art. No. 11.285** R  
Weight in kg: alumin. 1.040



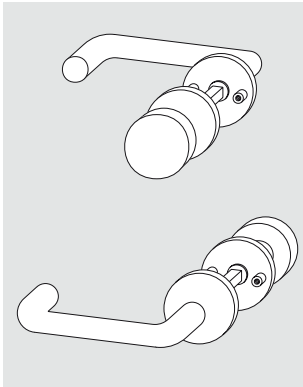
**Strike box,**  
for pairs of doors

**Art. No. 11.286** L (as illustr.)  
**Art. No. 11.287** R  
Weight in kg: alumin. 0.945

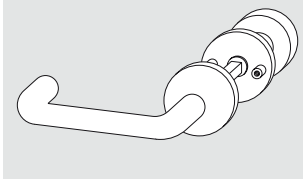
## SETS OF LEVERS



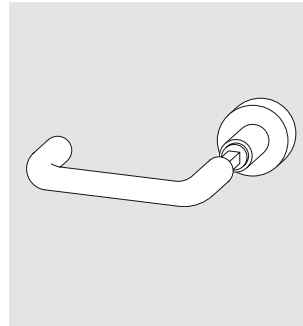
**Set of levers,**  
tubular, with roses  
**Art. No. 10.307**  
Weight in kg: alumin. 0.320



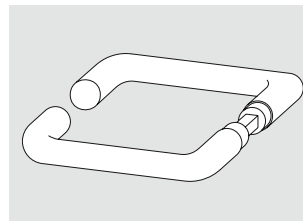
**Lever and knob set,**  
tubular lever with fixed knob,  
with roses  
**Art. No. 10.318**  
Weight in kg: alumin. 0.400



**Lever and knob set,**  
tubular lever with knob,  
with roses  
**Art. No. 10.319**  
Weight in kg: alumin. 0.400



**Lever and knob set,**  
tubular lever with free turning  
knob (turning without function)  
**Art. No. 10.316**  
Weight in kg: alumin. 0.335



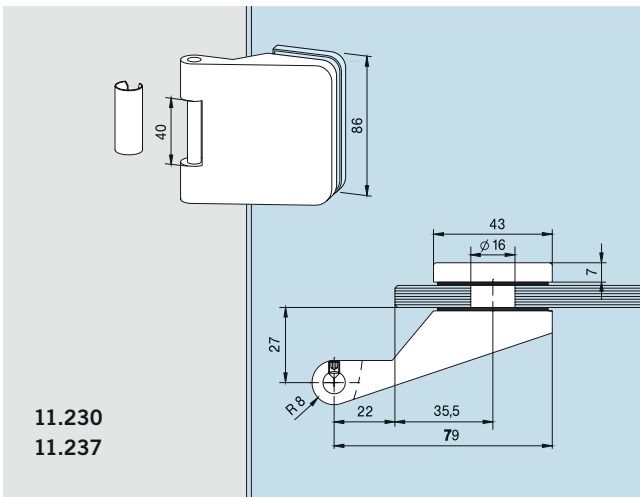
**Lever and knob set,**  
tubular lever with turning knob  
**Art. No. 10.317**  
Weight in kg: alumin. 0.345

**Set of levers, tubular,**  
for follower  
**Art. No. 10.301**  
Weight in kg: alumin. 0.320  
brass 0.450

Further sets of levers see pages 29, 34, 43, 51.

## HINGES FOR /WITH FRAME PIVOTS

For 8 mm glass thickness/24 mm rebate depth,  
10 mm glass thickness/26 mm rebate depth resp.,  
max. door width 1000 mm



**Hinge for frame pivot,**  
complete with sleeve, zinc plated  
steel pin, door weight max. 55 kg

**Art. No. 11.230\***  
Weight in kg: alumin. 0.358  
brass 0.787

**Hinge for frame pivot,**  
complete with sleeve, stainless  
steel pin, to be used in damp  
environments, door weight  
max. 55 kg

**Art. No. 11.237**  
Weight in kg: alumin. 0.360

Not illustrated:  
**Hinge for frame pivot,**  
complete with sleeve, to suit  
rebate depth 25 – 39 mm,  
door weight max. 45 kg,

**Art. No. 11.245**  
Weight in kg: alumin. 0.530

Not illustrated:  
**Hinge for frame pivot,**  
complete with sleeve,  
to suit rebate depth 40 mm,  
door weight max. 45 kg

**Art. No. 11.238**  
Weight in kg: alumin. 1.111

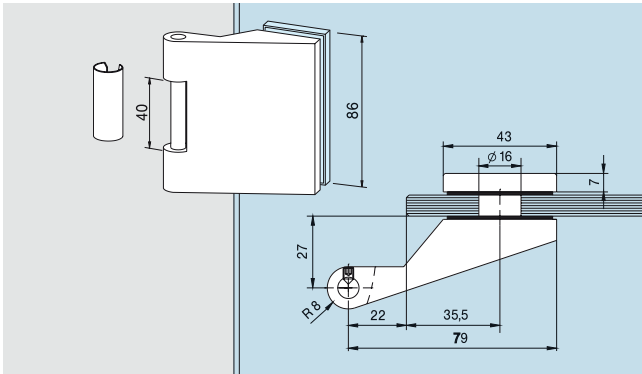
Not illustrated:  
**Hinge for frame pivot,**  
complete with sleeve and ball  
bearing, door weight max.  
60 kg, also available in brass  
or stainless steel

**Art. No. 11.234\*\***  
Weight in kg: alumin. 0.385  
brass 0.792  
stainless steel 0.493

\* Finish satin stainless steel (700), not usable with screw-on frame pivot 11.405 (page 65)  
\*\* Finish satin stainless steel (700), not usable with screw-on frame pivot 11.406 (page 65)

## HINGES FOR /WITH FRAME PIVOTS

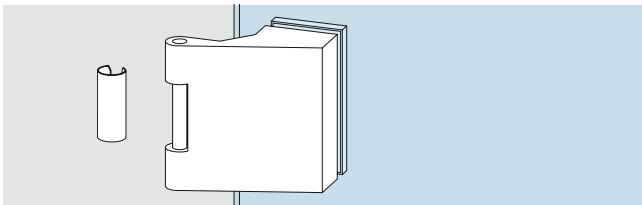
For 8 mm glass thickness / 24 mm rebate depth, 10 mm glass thickness / 26 mm rebate depth resp., max. door width 1000 mm



**Hinge with frame pivot,**  
complete with sleeve,  
zinc plated steel pin,  
door weight max. 55 kg

**Art. No. 11.288**

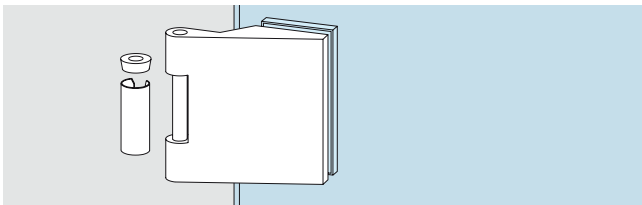
Weight in kg: alumin. 0.358



**Hinge for frame pivot,**  
complete with sleeve,  
to suit rebate depth 40 mm,  
door weight max. 45 kg

**Art. No. 11.295**

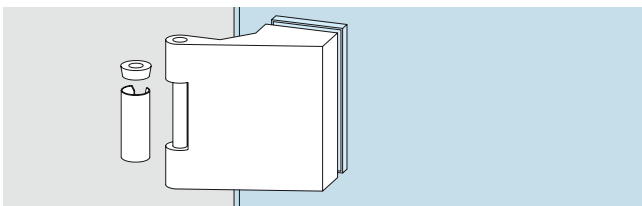
Weight in kg: alumin. 1.111



**Hinge for frame pivot,**  
complete with sleeve and ball  
bearing, door weight max. 60 kg

**Art. No. 11.292**

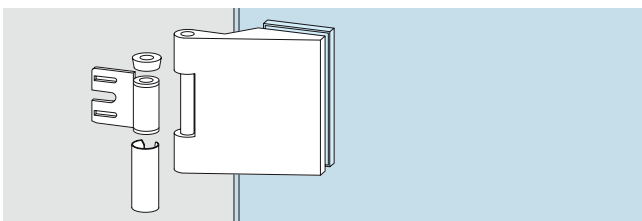
Weight in kg: alumin. 0.385



**Hinge with frame pivot,**  
complete with sleeve,  
to suit rebate depth 40 mm,  
with steel ball bearing,  
door weight max. 45 kg

**Art. No. 11.296**

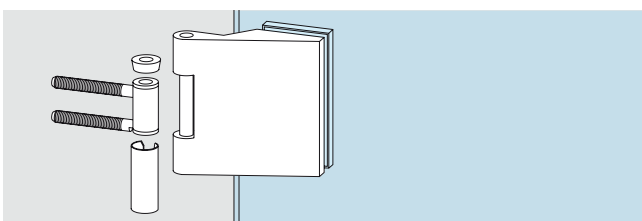
Weight in kg: alumin. 1.100



**Hinge with frame pivot  
for steel frames,**  
complete with sleeve, steel ball  
bearing, door weight max. 60 kg

**Art. No. 11.289**

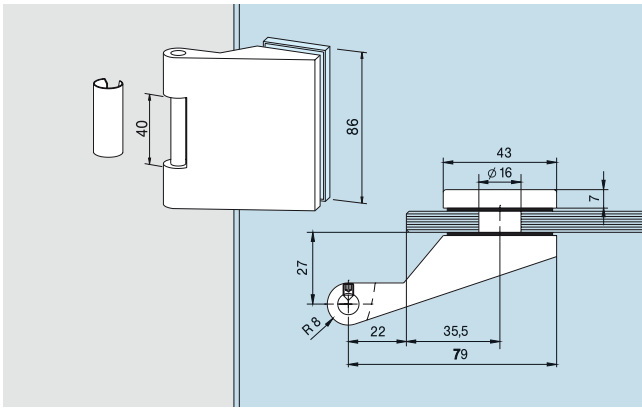
Weight in kg: alumin. 0.417



**Hinge with frame pivot  
for wooden frames,**  
complete with sleeve, steel ball  
bearing, door weight max. 60 kg

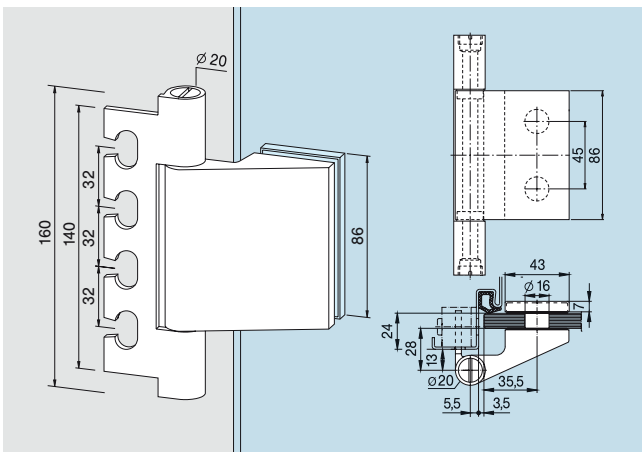
**Art. No. 11.290**

Weight in kg: alumin. 0.407



**Hinge with frame pivot for steel frames**  
 with 120 mm type frame pocket, complete with sleeve, steel ball bearing, door weight max. 60 kg,

**Art. No. 11.293**  
 Weight in kg: alumin. 0.451

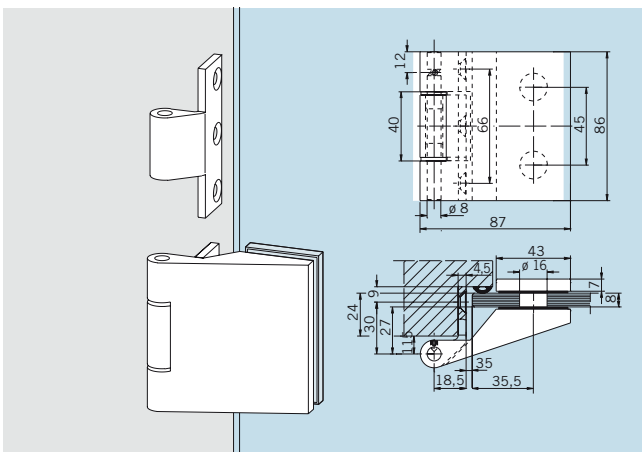


**Hinge for project doors,**  
 with 160 mm type frame pocket (mating portion VN 7608/160 3D or VZK 060-1/3), stainless steel pin, plastic slide bearing, door weight max. 70 kg, door width max. 1200 mm

**Art. No. 11.291**  
 Weight in kg: alumin. 0.519

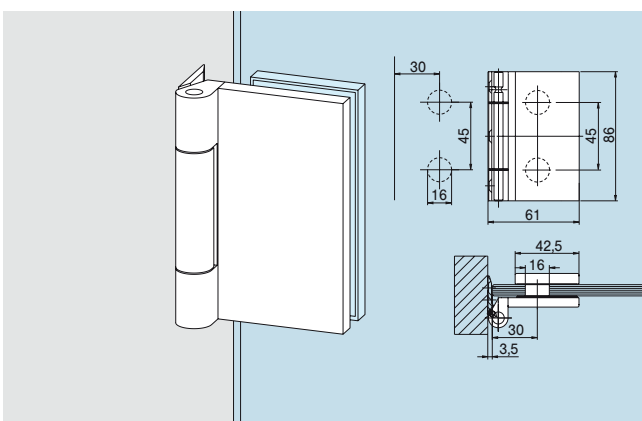
Not illustrated:  
 do. for 40 mm rebate depth, door weight max. 45 kg

**Art. No. 11.341**



**Hinge with frame pivot for wooden frames,**  
 hinge flap for mortising into frame, zinc plated steel pin, plastic bushing, door weight max. 55 kg, door width max. 1000 mm

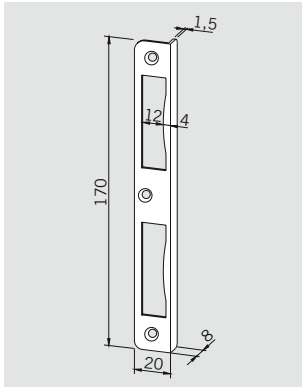
**Art. No. 11.342**  
 Weight in kg: alumin. 0.425



**Hinge with frame pivot for non-rebated frames,**  
 hinge flap for screwing onto frame, stainless steel pin, plastic bushing, door weight max. 40 kg, door width max. 1000 mm

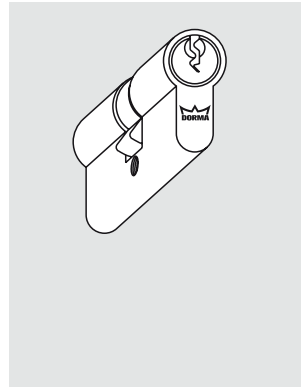
**Art. No. 11.294**  
 Weight in kg: alumin. 0.205

## CORNER STRIKE PLATE



**Corner strike plate**  
**Art. No. 11.313**  
 Weight in kg: alumin. 0.038

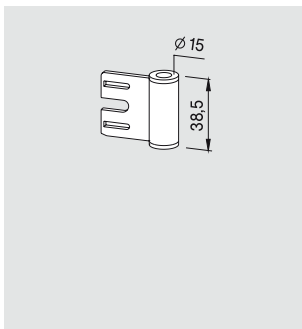
## PROFILE CYLINDER



**Profile cylinder**  
 length 61 mm, differently  
 keyed, with DORMA Logo  
**Art. No. 05.001**

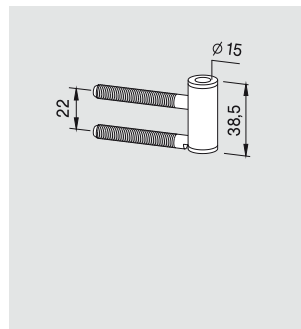
**Profile cylinder**  
 length 61 mm, equally keyed,  
 with DORMA Logo  
**Art. No. 05.002**

## FRAME PIVOTS AND ACCESSORIES

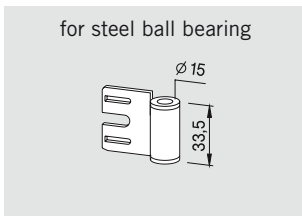


**Frame pivot for steel frames,**  
 zinc plated steel,  
 plastic bushing  
**Art. No. 11.309**  
 Weight in kg: 0.040

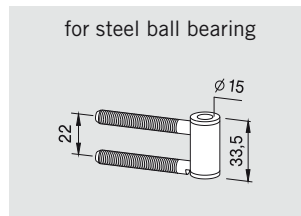
**Frame pivot for steel frames,**  
 stainless steel,  
 plastic bushing  
**Art. No. 11.307**  
 Weight in kg: 0.045



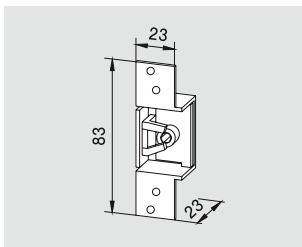
**Frame pivot for wooden frames,**  
 zinc plated steel,  
 plastic bushing  
**Art. No. 11.310**  
 Weight in kg: 0.055



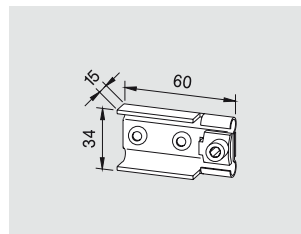
**Frame pivot for steel frames,**  
 zinc plated steel,  
 for steel ball bearing,  
 door weight max. 60 kg  
**Art. No. 11.235**  
 Weight in kg: 0.035



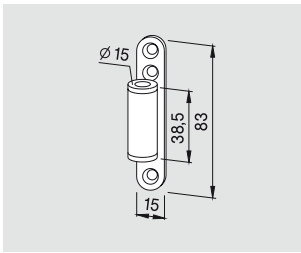
**Frame pivot for wooden frames,**  
 zinc plated steel,  
 for steel ball bearing,  
 door weight max. 60 kg  
**Art. No. 11.236**  
 Weight in kg: 0.050



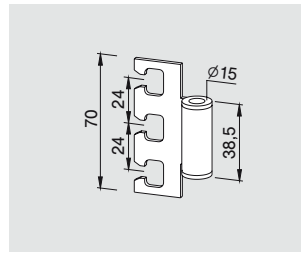
**Frame pocket for steel frame,**  
 zinc plated steel  
**Art. No. 10.406**  
 Weight in kg: 0.073



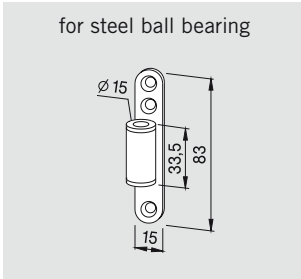
**Frame pocket for wooden frame,**  
 zinc plated steel  
**Art. No. 10.405**  
 Weight in kg: 0.060



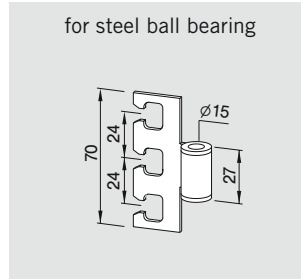
**Screw-on frame pivot,**  
zinc plated steel,  
plastic bushing,  
door weight max. 55 kg  
**Art. No. 11.405\***  
Weight in kg: 0.047



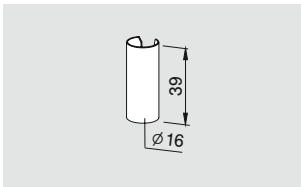
**Frame pivot for 120 mm type  
frame pocket,**  
stainless steel,  
door weight max. 55 kg  
**Art. No. 11.308**  
Weight in kg: 0.071



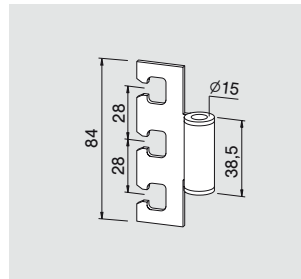
**Screw-on frame pivot,**  
zinc plated steel,  
for steel ball bearing,  
plastic bushing,  
door weight max. 55 kg  
**Art. No. 11.406\*\***  
Weight in kg: 0.046



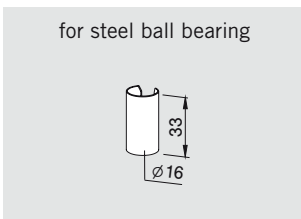
**Frame pivot for 120 mm type  
frame pocket,**  
stainless steel,  
for steel ball bearing,  
door weight max. 60 kg  
**Art. No. 11.248**  
Weight in kg: 0.048



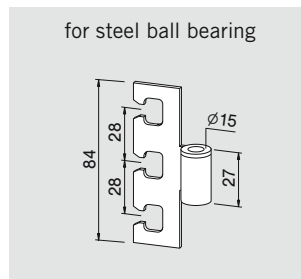
**Push-on sleeve**  
for frame pivots  
Art. No. 11.307, 11.309,  
11.310, 11.405  
**Art. No. 11.311**  
Weight in kg: alumin. 0.002



**Frame pivot for VX-frame pocket,**  
stainless steel, plastic bushing,  
for all VX-mating portions,  
door weight max. 55 kg  
**Art. No. 11.304**  
Weight in kg: 0.060



**Push-on sleeve**  
for frame pivots  
Art. No. 11.235, 11.236,  
for steel ball bearing  
**Art. No. 11.006**  
Weight in kg: alumin. 0.002

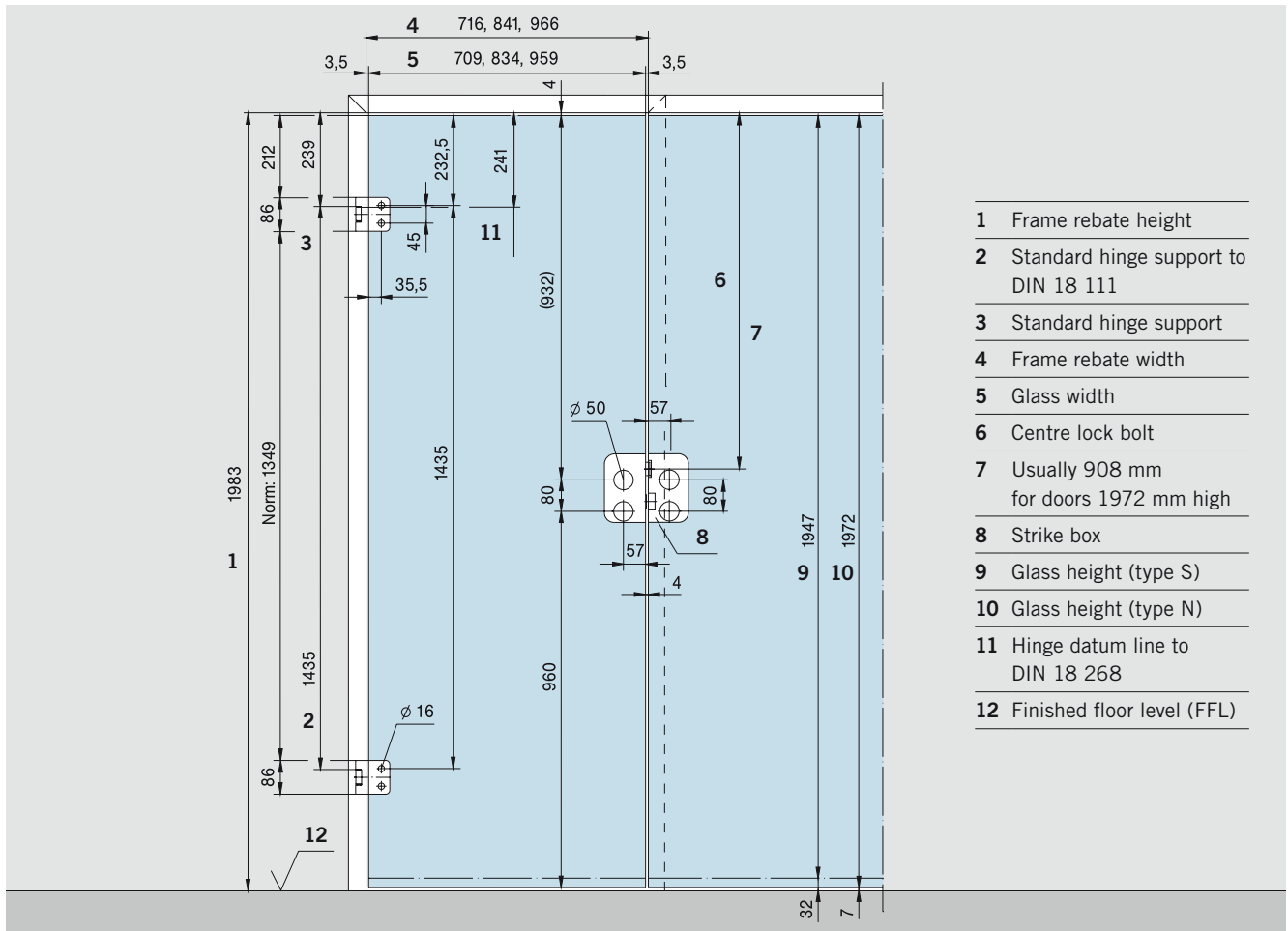


**Frame pivot for VX-frame pocket,**  
stainless steel, for steel ball  
bearing, for all VX-mating  
portions, door weight max.  
60 kg  
**Art. No. 11.305**  
Weight in kg: 0.050

\* not usable with Art. No. 11.230 with  
finish satin stainless steel (700)  
\*\*not usable with Art. No. 11.234 with  
finish satin stainless steel (700)

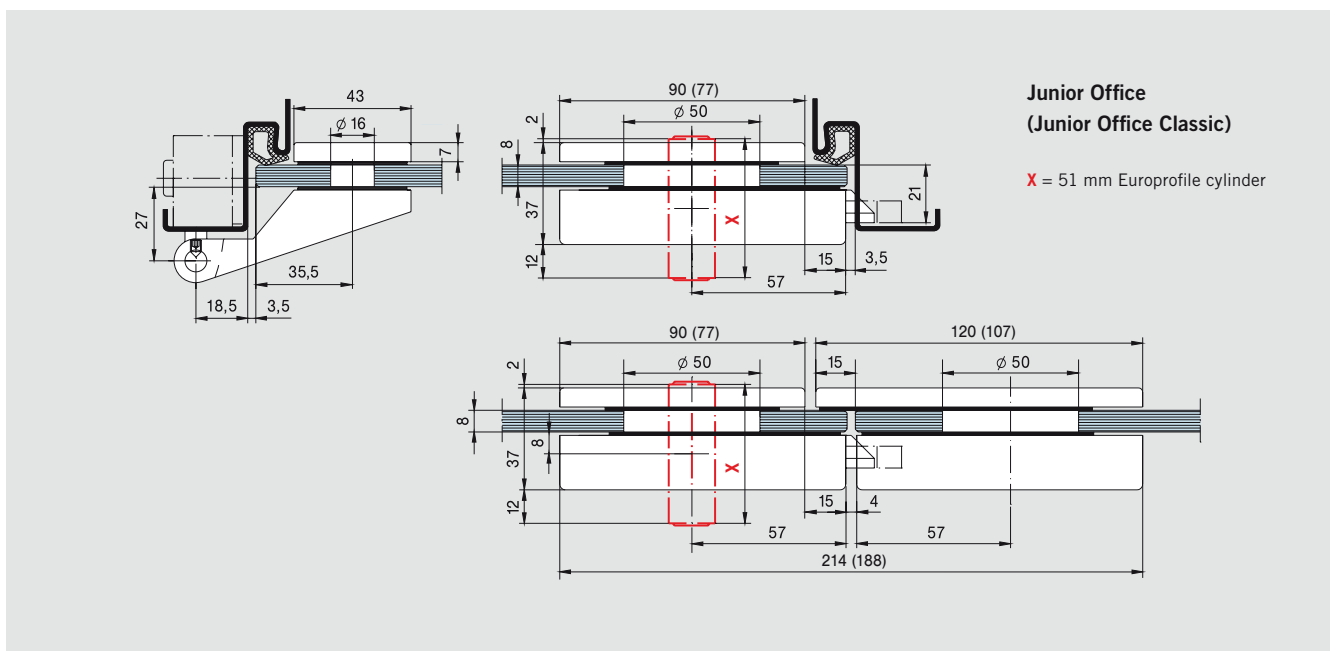
**Further accessories page 60  
et sqq.**

# CONSTRUCTION DIMENSIONS FOR FRAME PIVOTS (as to page 55)



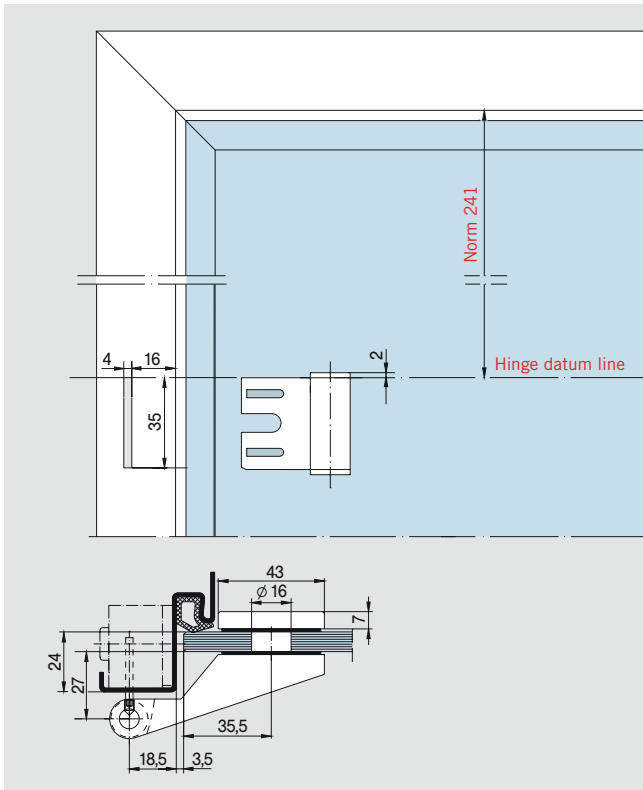
- 1 Frame rebate height
- 2 Standard hinge support to DIN 18 111
- 3 Standard hinge support
- 4 Frame rebate width
- 5 Glass width
- 6 Centre lock bolt
- 7 Usually 908 mm for doors 1972 mm high
- 8 Strike box
- 9 Glass height (type S)
- 10 Glass height (type N)
- 11 Hinge datum line to DIN 18 268
- 12 Finished floor level (FFL)

## SECTION JUNIOR OFFICE/JUNIOR OFFICE CLASSIC

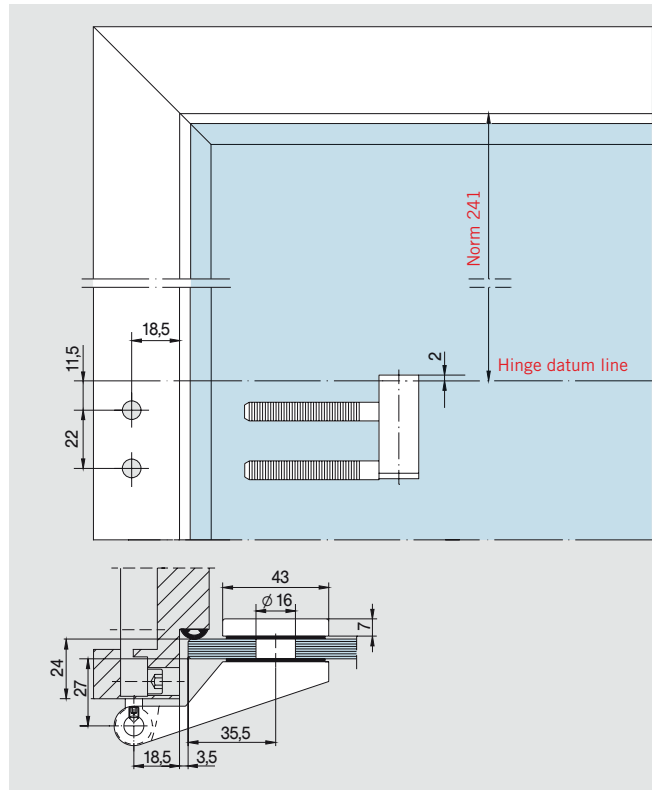




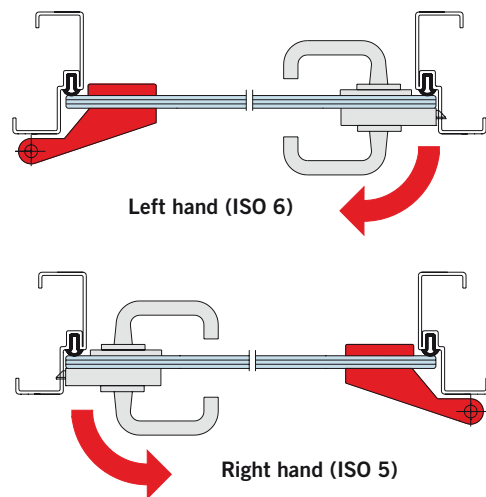
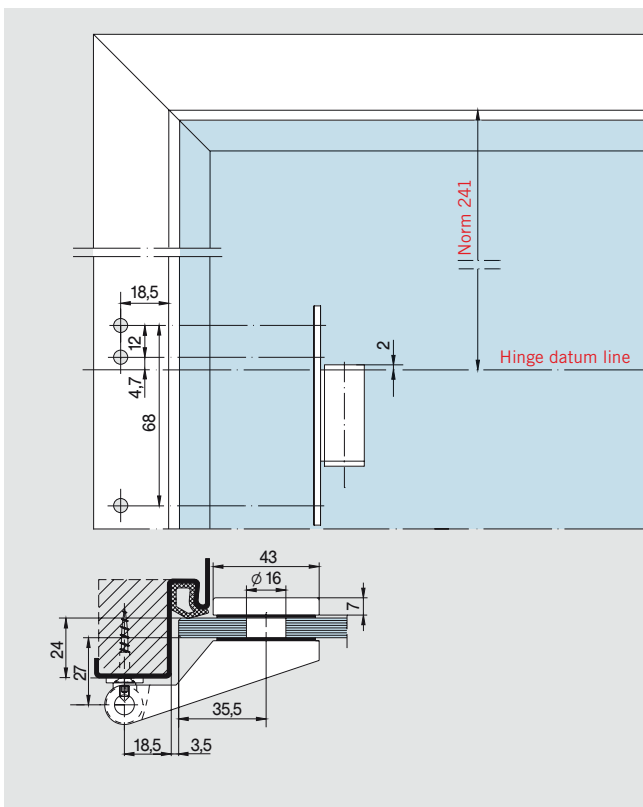
## FRAME PIVOTS FOR STEEL FRAMES



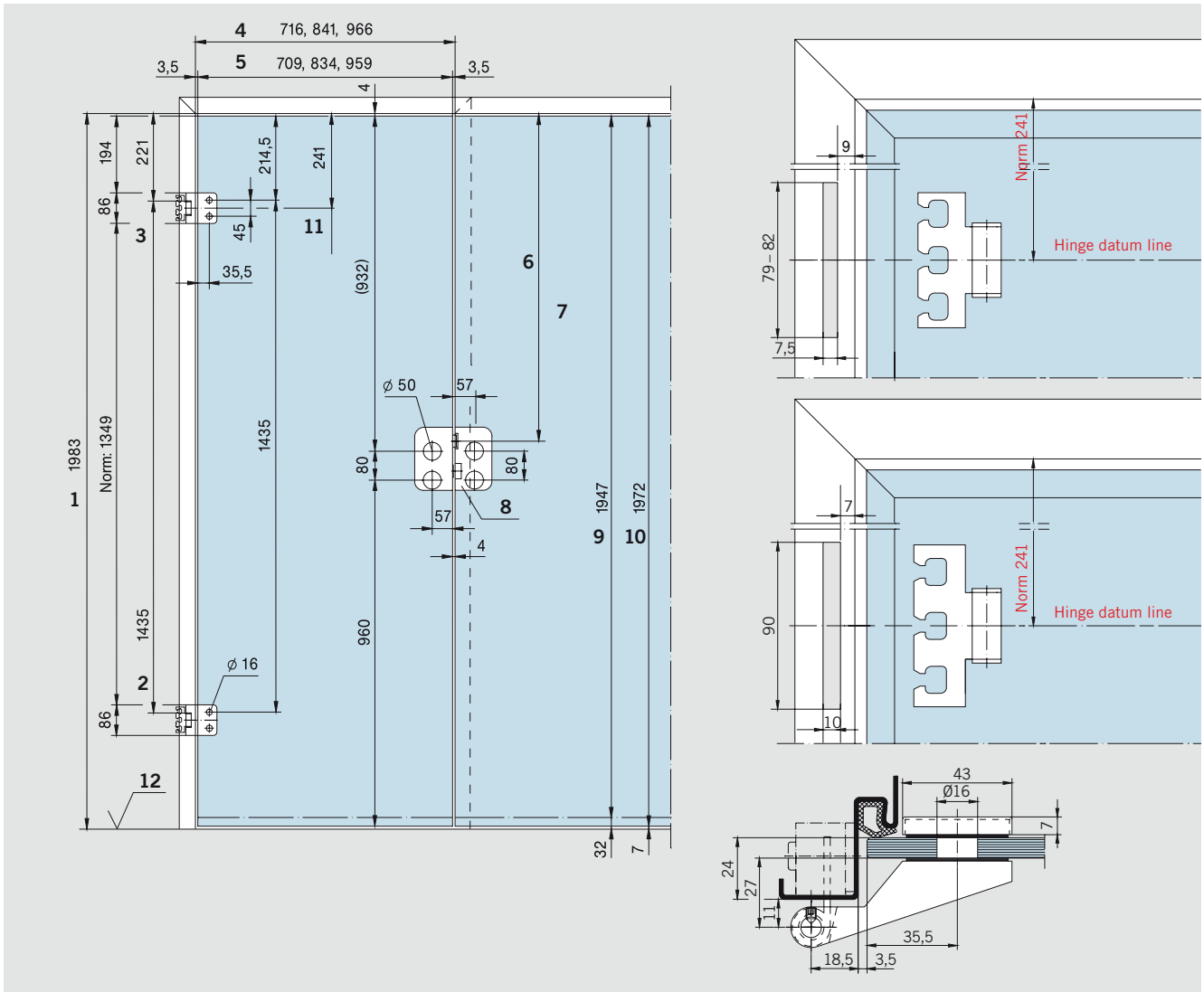
## FRAME PIVOTS FOR WOODEN FRAMES



## SCREW ON FRAME PIVOT

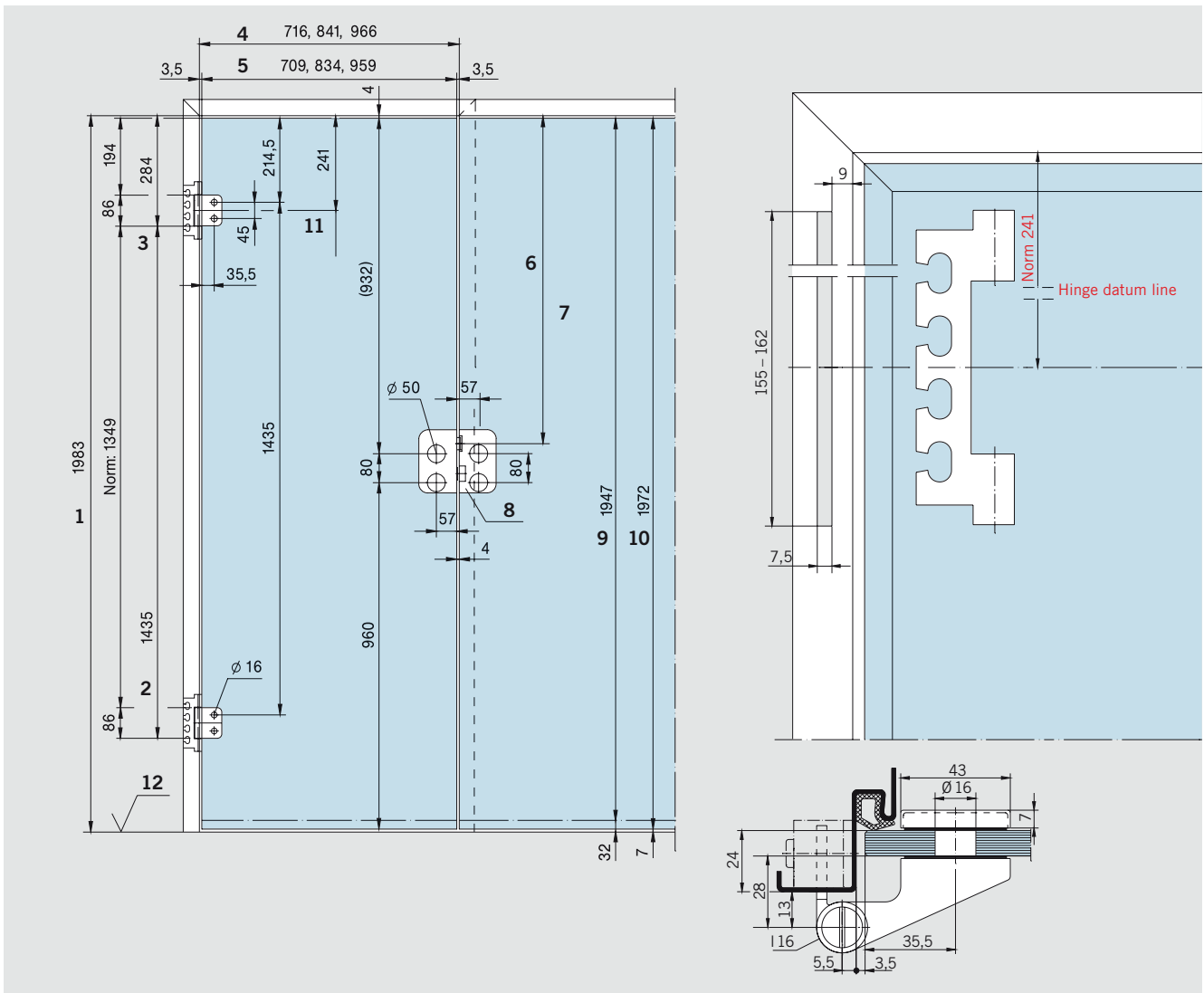


# FRAME PIVOT FOR 120 MM TYPE FRAME POCKET AND VX FRAME POCKET



- |    |                                       |
|----|---------------------------------------|
| 1  | Frame rebate height                   |
| 2  | Standard hinge support to DIN 18 111  |
| 3  | Standard hinge support                |
| 4  | Frame rebate width                    |
| 5  | Glass width                           |
| 6  | Centre lock bolt                      |
| 7  | Usually 908 mm for doors 1972 mm high |
| 8  | Strike box                            |
| 9  | Glass height (type S)                 |
| 10 | Glass height (type N)                 |
| 11 | Hinge datum line to DIN 18 268        |
| 12 | Finished floor level (FFL)            |

# FRAME PIVOT FOR 160 MM TYPE FRAME POCKET



- |    |                                       |
|----|---------------------------------------|
| 1  | Frame rebate height                   |
| 2  | Standard hinge support to DIN 18 111  |
| 3  | Standard hinge support                |
| 4  | Frame rebate width                    |
| 5  | Glass width                           |
| 6  | Centre lock bolt                      |
| 7  | Usually 908 mm for doors 1972 mm high |
| 8  | Strike box                            |
| 9  | Glass height (type S)                 |
| 10 | Glass height (type N)                 |
| 11 | Hinge datum line to DIN 18 268        |
| 12 | Finished floor level (FFL)            |

## SPECIAL HINGES / ACCESSORIES

---

The DORMA stainless steel hinge for internal glass doors stands out for its optical features determined by function. Various special hinges also for door situations independent from rebated frames, as well as door rails and additional accessories complete the range of fittings for internal doors.

**Stainless steel hinge  
for internal glass doors**  
62

**Special hinges**  
62 – 64

**Door rails**  
65 – 67

**Door bolts/Accessories**  
67 – 68

**Mounting of door closers**  
69 – 70

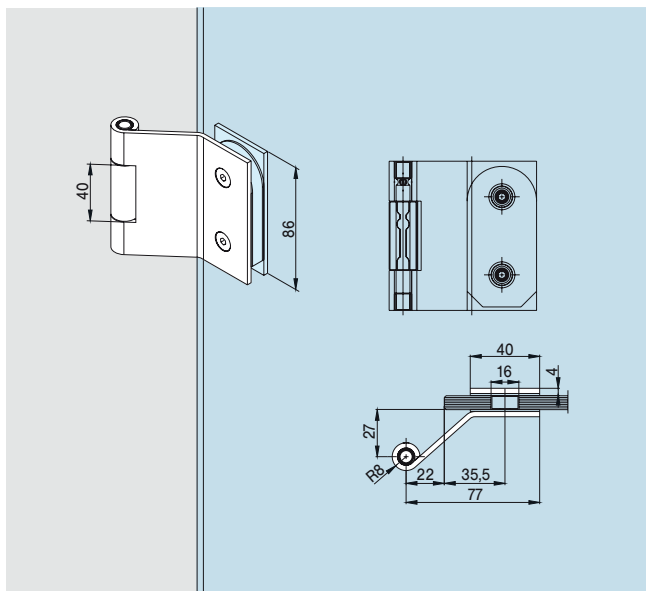
**Finishes and colours**  
71



# STAINLESS STEEL HINGE FOR INTERNAL GLASS DOORS

for 8 mm and 10 mm glass

For 8 mm glass thickness / 24 mm rebate depth,  
 10 mm glass thickness / 26 mm rebate depth resp.,  
 max. door width 1000 mm  
 Hinges meet highest corrosion resistance (EN 1670, class 4)  
 Versions with rounded angles also available on request



**Stainless steel hinge**

**for frame pivot,**  
 with stainless steel sleeve,  
 stainless steel pin,  
 door weight max. 55 kg

**Art. No. 11.500**

Weight in kg: 0.332

Not illustrated:

**Stainless steel hinge**  
**for frame pivot,**  
 for rebate depth 40 mm, with  
 stainless steel sleeve,  
 stainless steel pin, door weight  
 max. 45 kg

**Art. No. 11.502**

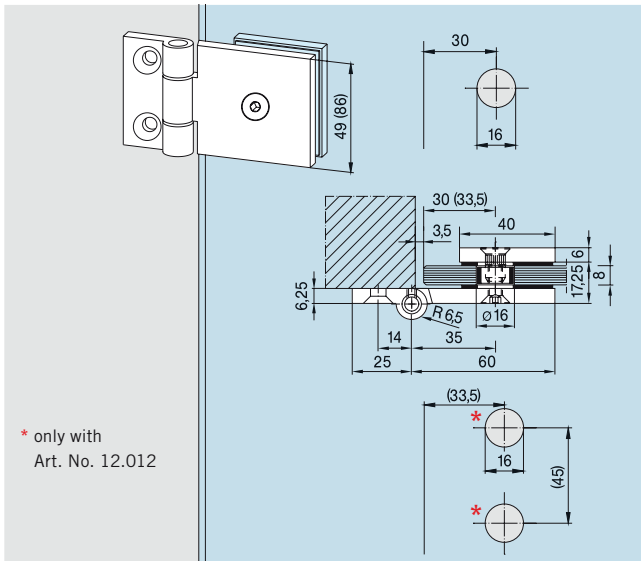
Weight in kg: 0.371

**Please note:**

**Applications / glass preparation like Junior Office and Junior Office Classic (see pages 38 – 59)**

**Frame pivots on pages 54 – 55.**

# HINGES FOR 8 MM GLASS THICKNESS



**Screw-on hinge without covers,**  
49 mm, stainless steel pin,  
plastic bushing,  
door weight max. 30 kg

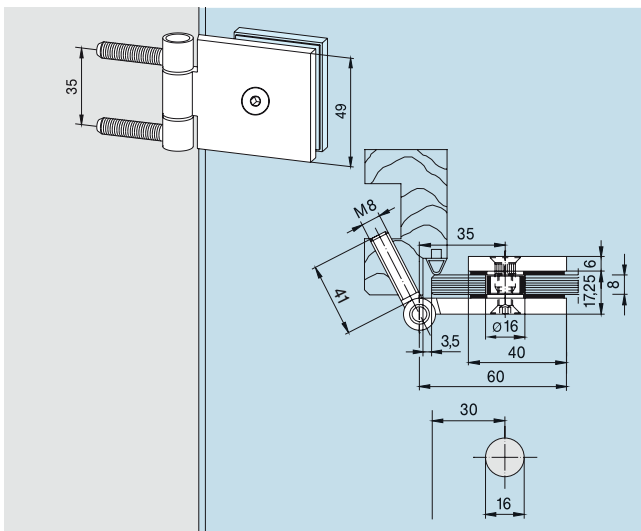
**Art. No. 12.010**  
Weight in kg: alumin. 0.130

Not illustrated:  
**Screw-on hinge with 3 covers,**  
49 mm, stainless steel pin,  
plastic bushing,  
door weight max. 30 kg

**Art. No. 12.011**  
Weight in kg: alumin. 0.152

Not illustrated:  
**Screw-on hinge with cover  
for clamping plate,**  
86 mm, stainless steel pin,  
plastic bushing,  
door weight max. 45 kg

**Art. No. 12.012**  
Weight in kg: alumin. 0.215

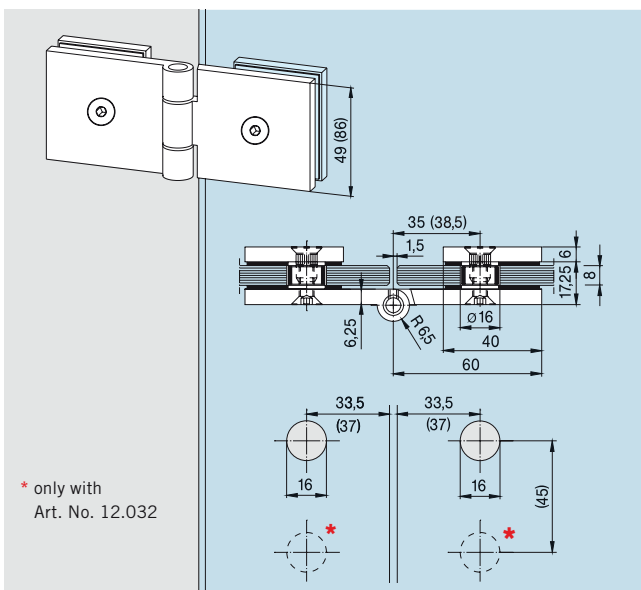


**Screw-in hinge without covers,**  
49 mm, stainless steel pin,  
plastic bushing,  
frame pivot zinc plated steel,  
door weight max. 30 kg

**Art. No. 12.020**  
Weight in kg: alumin. 0.147

Not illustrated:  
**Screw-in hinge with 2 covers,**  
49 mm, stainless steel pin,  
plastic bushing,  
frame pivot zinc plated steel,  
door weight max. 30 kg

**Art. No. 12.021**  
Weight in kg: alumin. 0.174



**Double hinge without covers,**  
49 mm, stainless steel pin,  
plastic bushing,  
door weight max. 30 kg

**Art. No. 12.030**  
Weight in kg: alumin. 0.208

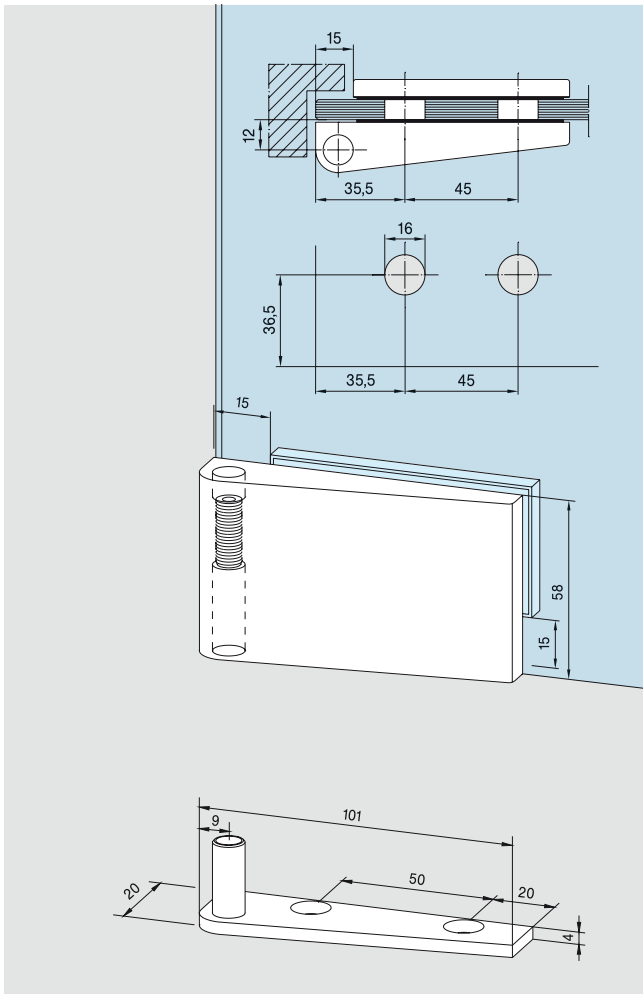
Not illustrated:  
**Double hinge with 4 covers,**  
49 mm, stainless steel pin,  
plastic bushing,  
door weight max. 30 kg

**Art. No. 12.031**  
Weight in kg: alumin. 0.243

Not illustrated:  
**Double hinge with covers  
for clamping plates,**  
86 mm, stainless steel pin,  
plastic bushing,  
door weight max. 45 kg

**Art. No. 12.032**  
Weight in kg: alumin. 0.344

# CORNER HINGES FOR 8 MM AND 10 MM GLASS THICKNESS



**Corner hinges, pairs,**  
with free glass edge (for rebate)  
on top resp. underneath and at  
side, height adjustable,  
extended colour options,  
door weight max. 35 kg

for 8 mm glass thickness

**Art. No. 12.001**

for 10 mm glass thickness

**Art. No. 12.009**

Weight in kg: alumin. 0.588

brass 1.006

**Pair of floor and top pivot**

for corner hinges, brass satin  
chromed, stainless steel pin

**Art. No. 12.016**

Weight in kg: 0.182

**Piece of floor socket/top pivot**

left bottom/top right

**Art. No. 12.014**

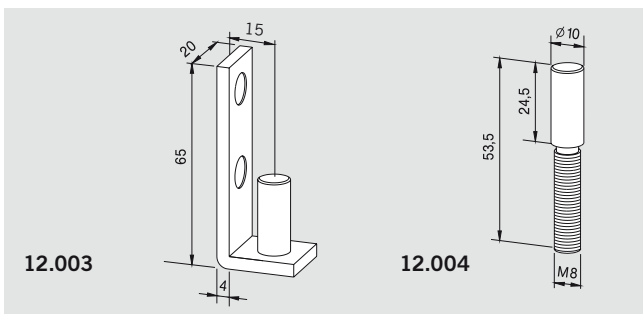
Weight in kg: 0.091

**Piece of floor socket/top pivot**

right bottom/top left

**Art. No. 12.015**

Weight in kg: 0.091



**Frame fixed pivot**

for corner hinges,  
brass satin chromed,  
stainless steel pin

**Art. No. 12.003**

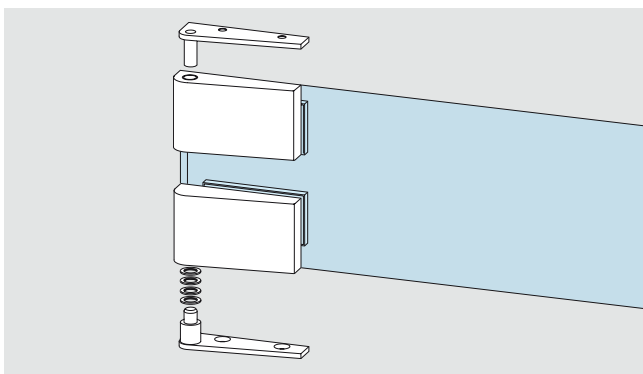
Weight in kg: 0.132

**Screw-in pivot,**

stainless steel

**Art. No. 12.004**

Weight in kg: 0.048



**Set of corner hinges,**

for 8 and 10 mm glass thickness  
with free glass edge (for rebate)  
on top resp. underneath and  
at side (glass preparation like  
Art. No. 12.001)

Consisting of

1 floor pivot,  
1 bottom corner hinge (height  
adjustable),  
1 top pivot,  
1 top corner hinge,

door weight max. 80 kg

door width max. 1100 mm

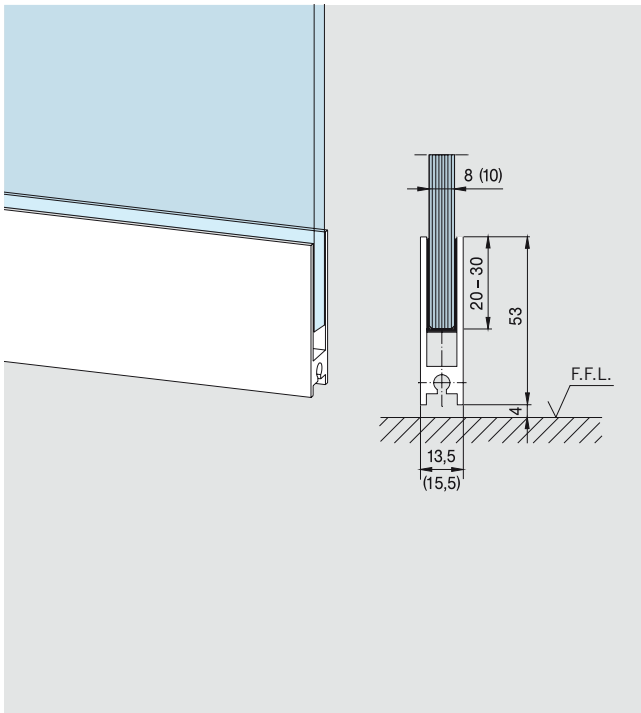
**Art. No. 12.040 L** (as illustr.)

**Art. No. 12.041 R**

Weight in kg: alumin. 0.825



## DOOR RAILS FOR 8 MM AND 10 MM GLASS THICKNESS



**Door rail, push on fit,**  
with pair of plastic end caps

norm length 834 mm

8 mm glass thickness

**Art. No. 12.102**

10 mm glass thickness

**Art. No. 12.122**

norm length 959 mm

8 mm glass thickness

**Art. No. 12.103**

10 mm glass thickness

**Art. No. 12.123**

stock length 1200 mm

8 mm glass thickness

**Art. No. 12.104**

10 mm glass thickness

**Art. No. 12.124**

fixed length 1200 mm

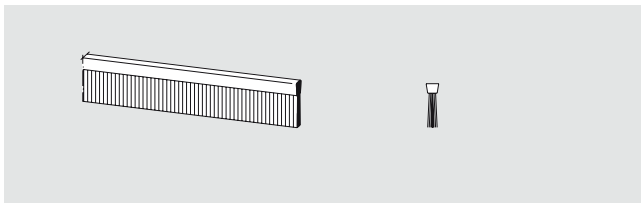
8 mm glass thickness

**Art. No. 12.100**

10 mm glass thickness

**Art. No. 12.120**

Weight in kg/m: alumin. 0.833



**Brush seal**

slides into rail profile,  
with plastic brush,  
5 mm projection,

stock length 2000 mm

**Art. No. 12.110**

fixed length 1200 mm

**Art. No. 12.111**

Weight in kg: 0.140

Not illustrated:

**Plastic end cap,**

black, for 8 mm glass thickness

**Art. No. 12.106**

Weight in kg: 0.001

**Plastic end cap,**

black, for 10 mm glass thickness

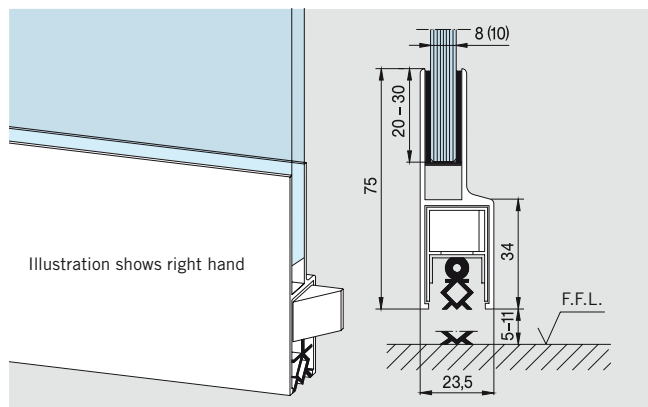
**Art. No. 12.109**

white, for 10 mm glass thickness

**Art. No. 12.108**

Weight in kg: 0.001

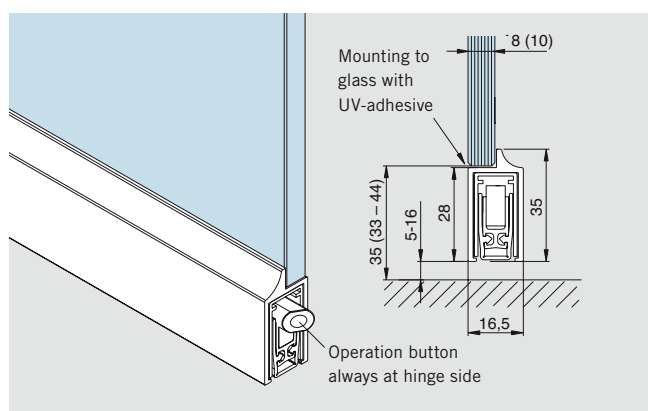
## DOOR RAILS WITH AUTOMATIC SEALS



### Door rail with automatic seal, push on fit

Lengths	Art. No.			
	8 mm glass thickness		10 mm glass thickness	
	Left hand	Right hand	Left hand	Right hand
834 mm	<b>12.202</b>	<b>12.203</b>	<b>12.212</b>	<b>12.213</b>
959 mm	<b>12.204</b>	<b>12.205</b>	<b>12.214</b>	<b>12.215</b>
Fixed length up to 1200 mm	<b>12.200</b>	<b>12.201</b>	<b>12.210</b>	<b>12.211</b>

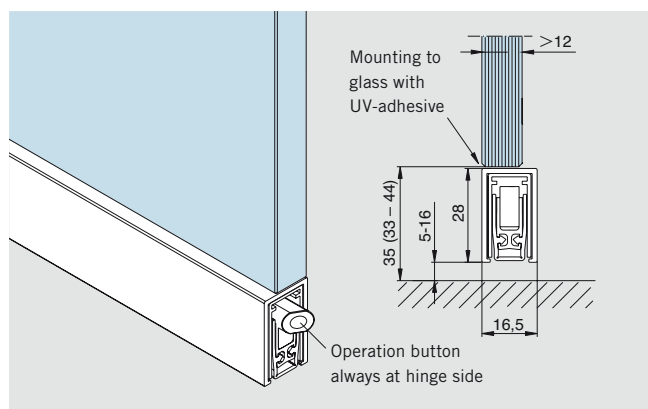
Weight in kg/m: alumin. 1.559



### Automatic Seal Planet KG D 8 / KG D 10

Lengths	Art. No.	
	8 mm glass thickness KG D 8	10 mm glass thickness KG D 10
834 mm	<b>12.230</b>	<b>12.231</b>
959 mm	<b>12.235</b>	<b>12.236</b>
1084 mm	<b>12.245</b>	<b>12.246</b>
1209 mm	<b>12.240</b>	<b>12.241</b>

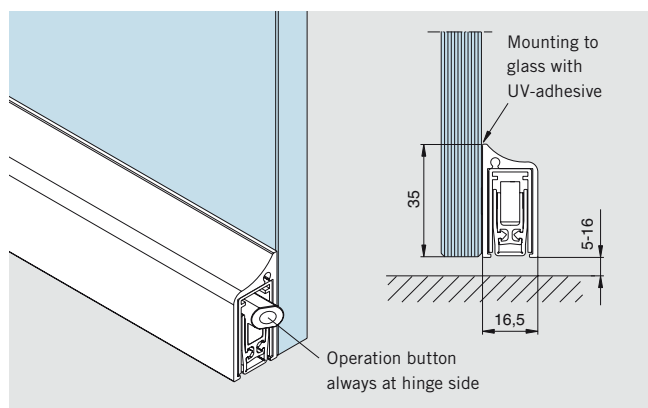
Weight in kg/m: alumin. 0.771



### Automatic Seal Planet KG-U

Lengths	Art. No.
	≥ 12 mm glass thickness KG-U
834 mm	<b>12.233</b>
959 mm	<b>12.238</b>
1084 mm	<b>12.248</b>
1209 mm	<b>12.243</b>

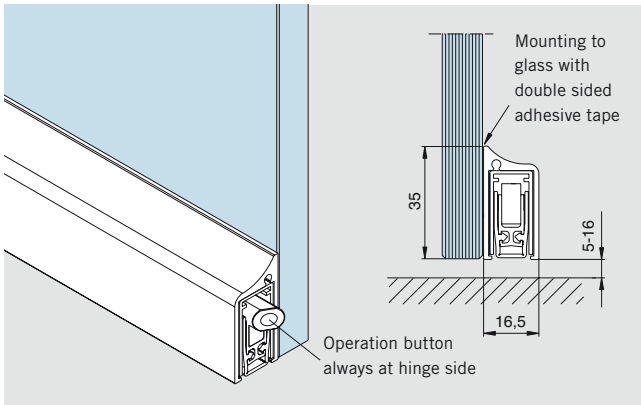
Weight in kg/m: alumin. 0.629



### Automatic Seal Planet KG-S

Lengths	Art. No.
	KG-S
834 mm	<b>12.232</b>
959 mm	<b>12.237</b>
1084 mm	<b>12.247</b>
1209 mm	<b>12.242</b>

Weight in kg/m: alumin. 0.789



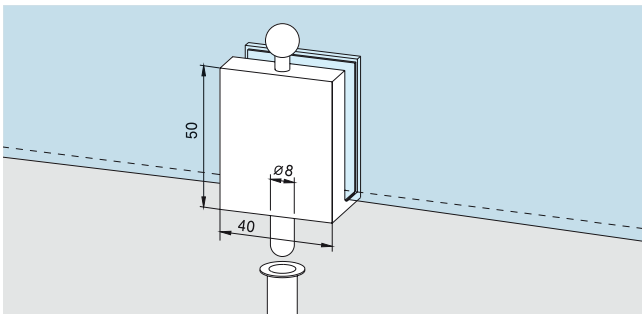
**Automatic Seal Planet**

**Complete set with double sided adhesive tape  
KG-SM**

Lengths	Art. No.
	KG-SM
834 mm	<b>12.234</b>
959 mm	<b>12.239</b>
1084 mm	<b>12.249</b>

Weight in kg/m: alumin. 0.789

## DOOR BOLTS

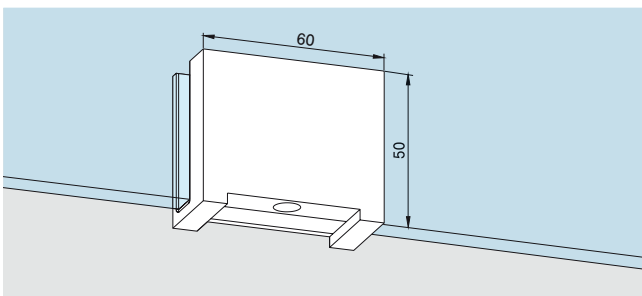


**Slide over door bolt,**  
for 8 mm glass thickness,  
with floor socket

**Art. No. 12.301**  
Weight in kg: alumin. 0.121

**Slide over door bolt,**  
for 10 mm glass thickness,  
with floor socket

**Art. No. 12.302**  
Weight in kg: alumin. 0.113



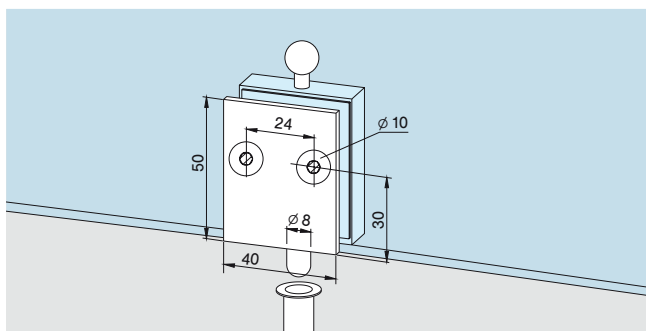
**Slide over strike box,**  
for 8 mm glass thickness,  
to slide over door bolt  
Art. No. 12.301

**Art. No. 12.314**  
Weight in kg: alumin. 0.130

**Slide over strike box,**  
for 10 mm glass thickness,  
to slide over door bolt  
Art. No. 12.302

**Art. No. 12.317**  
Weight in kg: alumin. 0.130

## DOOR BOLTS



**Door bolt,**  
on glass preparation,

for 8 mm glass thickness

**Art. No. 12.312**

for 10 mm glass thickness

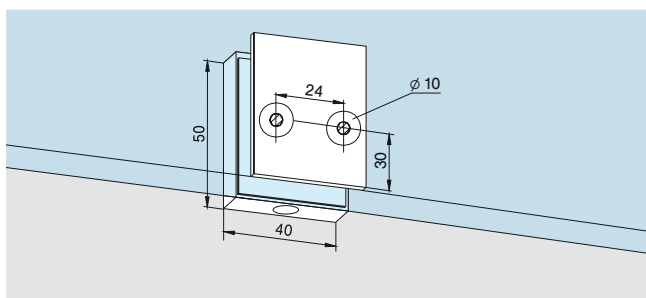
**Art. No. 12.315**

Weight in kg: alumin. 0.121

**Door belt,**  
on glass preparation, with  
free glass edge for  
8 + 10 mm glass thickness

**Art. No. 12.318**

Weight in kg: alumin. 0.099



**Strike box,**  
on glass preparation,  
for 8 mm glass thickness,  
to door bolt Art. No. 12.312

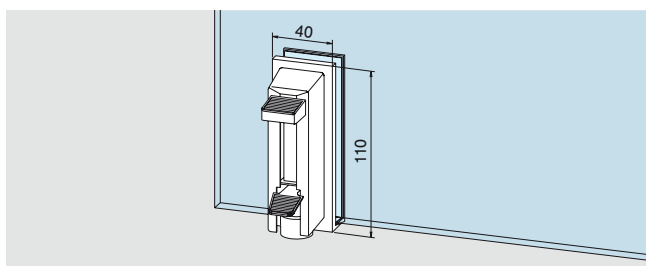
**Art. No. 12.313**

Weight in kg: alumin. 0.087

**Strike box,**  
on glass preparation,  
for 10 mm glass thickness,  
to door bolt Art. No. 12.315

**Art. No. 12.316**

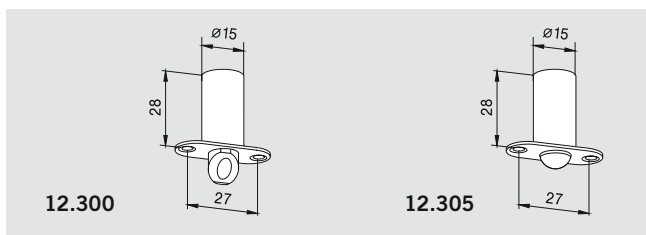
Weight in kg: alumin. 0.087



**Slide over telescopic door bolt,**  
for 8, 10 and 12 mm glass  
thickness, similar anodised  
lacquer

**Art. No. 12.320**

Weight in kg: alumin. 0.365



**Door catch,**  
plastic

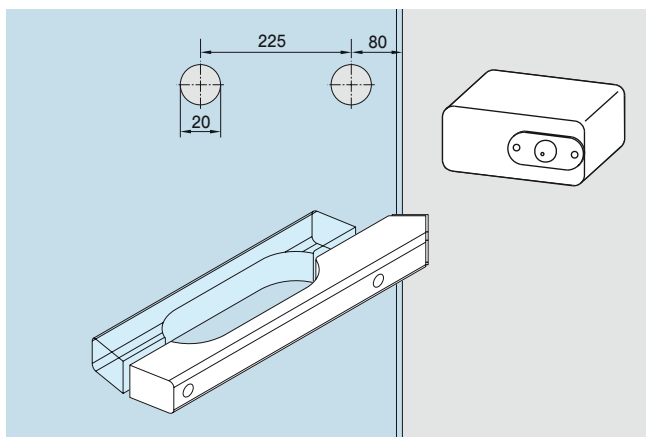
**Art. No. 12.300**

Weight in kg: 0.007

**Door catch,**  
plastic with round bolt

**Art. No. 12.305**

Weight in kg: 0.007



**Wooden snapper block**  
for sauna

**Art. No. 13.006**

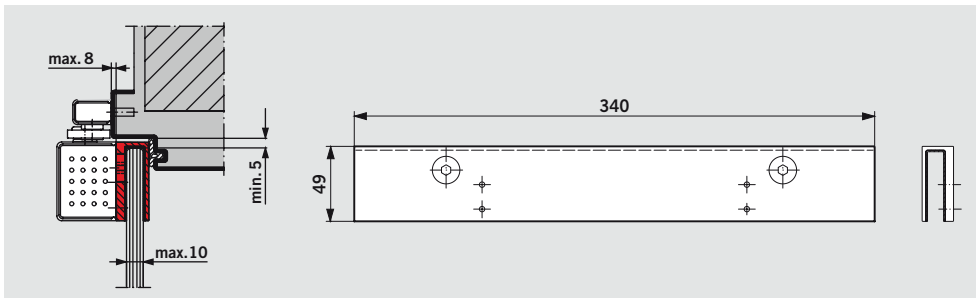
Weight in kg: 0.045

**Wooden handle**  
for sauna

**Art. No. 13.005**

Weight in kg: 0.267

## SADDLE PLATE FOR TS 97

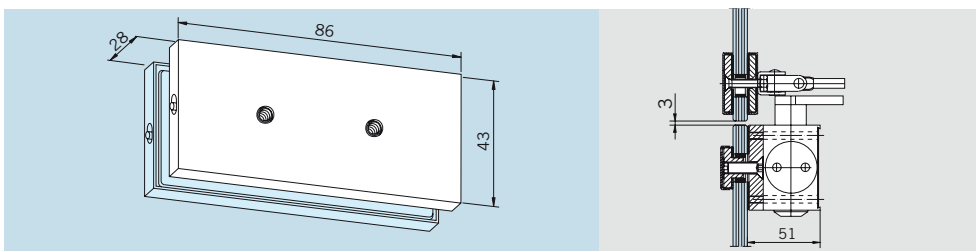


### Saddle plate for TS 97

No glass recess machining or drilling required.

The DORMA TS 97 with this special glass fixing bracket should be used with ARCOS Studio and ARCOS Office/Junior Office hinges.

## ACCESSORIES FOR DOOR CLOSER TS 73 V

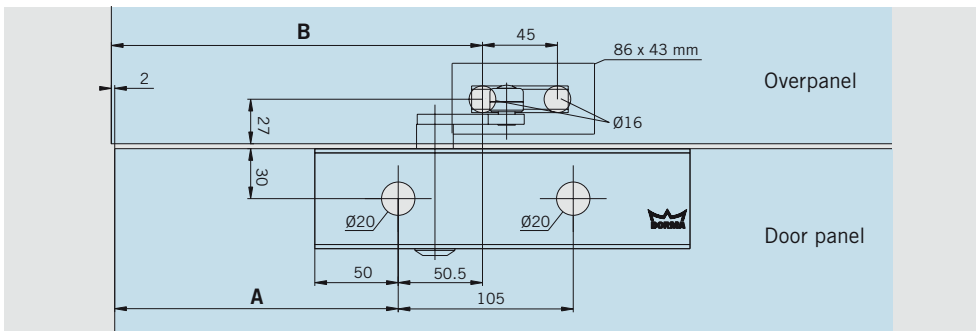


### Fixing plate

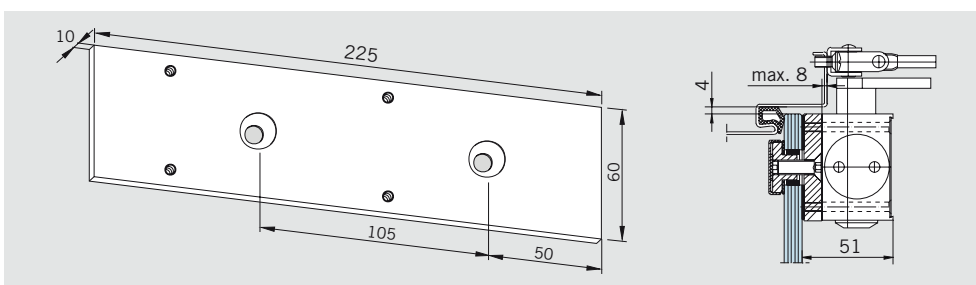
for DORMA TS 73 V, closer arm for overpanel

**Art. No. 12.330**

Weight in kg: alumin. 0.132



Pivot point fitting	A	B
EA (AT)	195	248
Universal/EP	245	298
Studio/Junior	170	223
ARCOS Universal	262	315

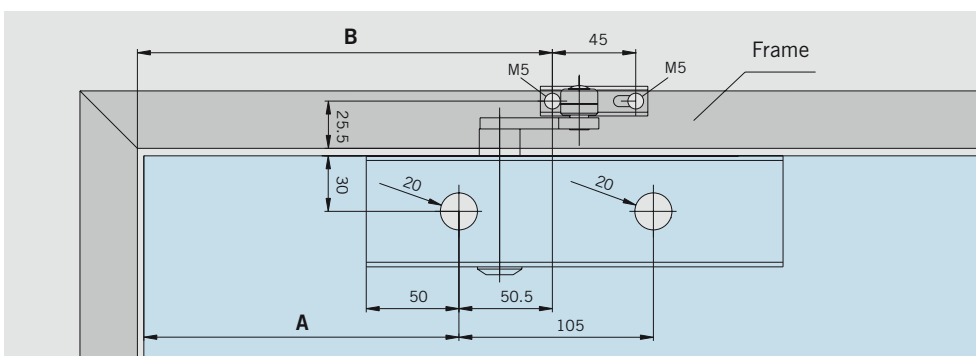


### Fixing plate

225 mm, for DORMA TS 73 V

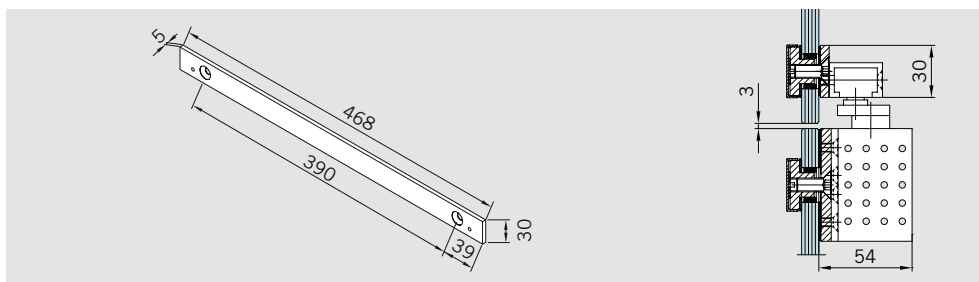
**Art. No. 12.335**

Weight in kg: alumin. 0.289



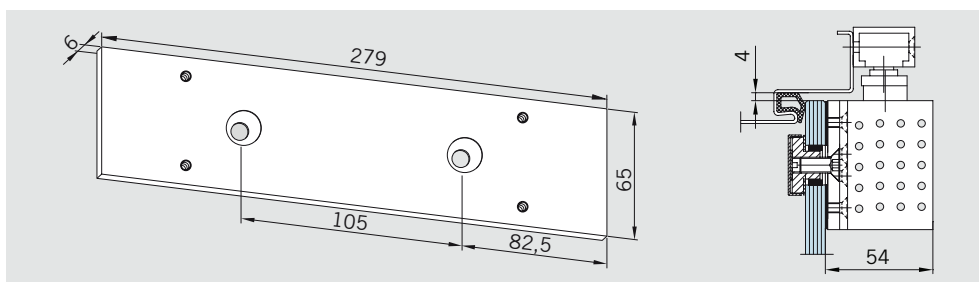
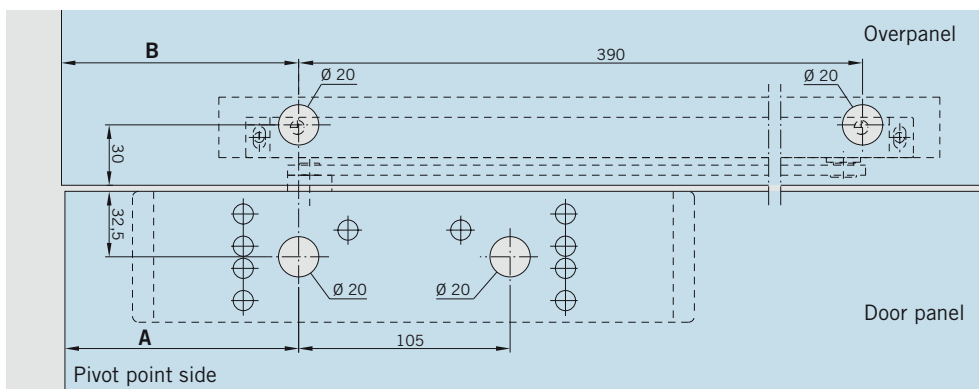
Pivot point fitting	A	B
EA (AT)	195	248
Universal/EP	245	298
Studio/Junior	170	223
ARCOS Universal	262	315

# ACCESSORIES FOR DOOR CLOSER TS 92



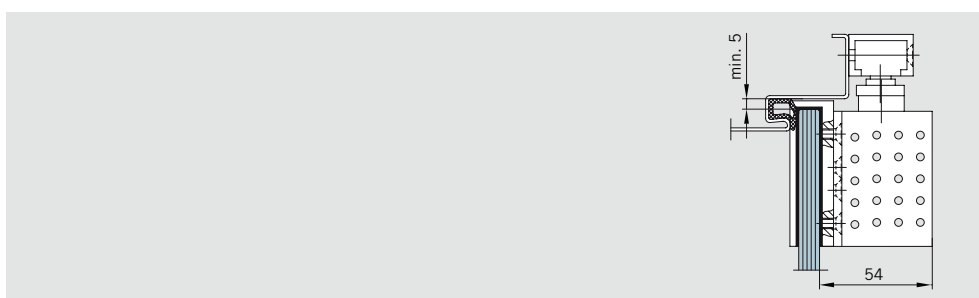
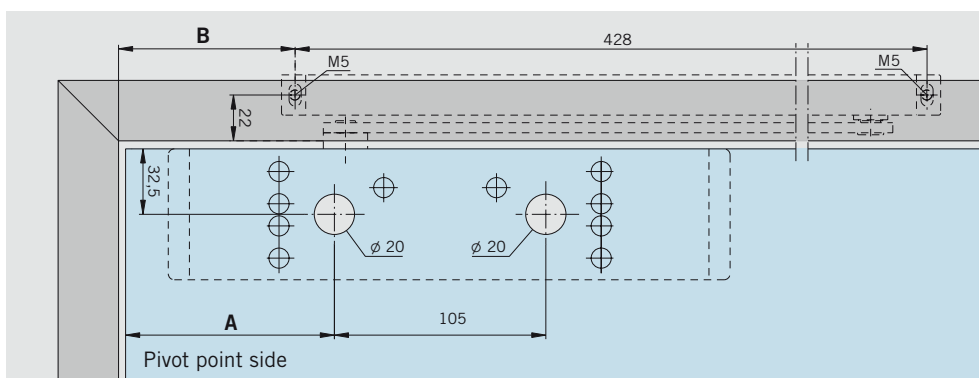
**Fixing plate**  
for DORMA TS 92,  
slide channel for overpanel  
**Art. No. 12.332**  
Weight in kg: alumin. 0.265

Pivot point fitting	A	B
EA (AT)/EP	200	202
Universal	250	252
Studio/Junior	148	150
ARCOS Universal	265	267



**Fixing plate**  
279 mm,  
for DORMA TS 92  
**Art. No. 12.334**  
Weight in kg: alumin. 0.290

Pivot point fitting	A	B
EA (AT)/EP	200	182
Universal	250	232
Studio/Junior	148	132
ARCOS Universal	265	247



**Saddle plate**  
and door closer TS 92 are  
available at DORMA, Ennepetal,  
or at special suppliers for  
building hardware.



## FINISHES AND COLOURS

All the common patterns and types are available ex-stock (factory) with the following finishes and colours.

Specials and glass assemblies in bespoke colour anodising and powder coating will be prepared promptly.

Standard finishes and colours	MEDIO	Studio Rondo	Studio Classic	Studio Gala	Junior Office Classic	Junior Office
Aluminium, silver anodised, EV1, CO (101)		●	●	●	●	●
Aluminium, silver EV2 (102)		●				
Aluminium, silver gleaming (103)				●		
Aluminium, brass anodised (105)		●	●			●
Aluminium, similar stainless steel (107)	●	●	●	●	●	●
Aluminium, dark bronze anodised, DB14, MC1003, C34 (108)		●				
Aluminium, silver EV1 Deco (114)	●					
Aluminium, bespoke colour anodising (199)	●	●	●	●	●	●
Aluminium, white powder coated, RAL 9016 (300)		●	●	●	●	●
Bespoke powder coating (399)	●	●	●	●	●	●
Brass, polished chrome (501)		●		●		●
Brass, polished varnished (502)		●		●		●
Satin stainless steel (700)						●

### General care instructions

The surface finishes of the fittings are not maintenance-free and should be cleaned according to their material and design.

- For metallic surfaces (anodised finishes, stainless steel) please use appropriate cleaning agents without abrasive additives only.
- For varnished surfaces please use appropriate solvent-free cleaning agents only.
- Brass surfaces (without surface protection) have to be treated with an appropriate maintenance agent on occasion, to avoid tarnishing.

The printed colours indicating the surface finishes are not 100% true, but do provide a useful guide.

Statements made with regard to the nature or use of the products are for the purposes of descriptions. Assent with regard to the existence of particular properties or particular uses always requires special written agreement.

Subject to change without notice.





## PLANNING TOOL



For planning of intelligent glass solutions we offer you several planning tools which allow you to create secure and professional solutions for any kinds of glass doors and toughend glass assemblies.

Your benefits:

- Easy to operate
- Professional and error-free preparation of offers
- Rapid response to incoming requests for quotations
- Highly reduced planning costs for time and money savings

The planning tools DGES and MANET COMPACT enable you to prepare designs and cost calculations quickly, reliably and professionally. The software provides you with all necessary documentation such as dimensioned technical drawings, glass sizes and preparation measures.

- DGES Fittings (for internal doors and toughend glass assemblies),
- DGES HSW (for horizontal sliding walls),
- MANET COMPACT planning tool (for MANET pivoting and sliding doors)

## SAFETY-RELATED INFORMATION

Important safety-related information for the mounting and use of DORMA glass fittings. (Follow these instructions in addition to the mounting and operating instructions in order to avoid damage of product and damage to person or property.)

Important: All users have to be informed about relevant points mentioned in these safety-related information and the mounting and operating instructions!

### General information

1. DORMA recommends using TSG-H (heat soaked toughened safety glass) to DIN EN 12150-1.
2. DORMA glass fittings are not suitable for application in rooms where chemicals (e. g. chlorine) are used such as indoor swimming pools, saunas or salt-water pools.
3. Never move sliding panels faster than walking speed and always stop the door manually before it reaches end position.
4. Do not shut swing doors with excessive force. Install door stop to prevent door from opening too far.

### Mounting

1. Only properly qualified and specially trained staff is authorised to mount DORMA glass fittings.
2. Never use glass with conchoidal fractures and/or damaged edges.
3. Due to crushing hazards – among others in the area of the secondary closing edge – and possible injury caused by breakage of glass during mounting, corresponding protective clothing (especially gloves and protective goggles) is required.
4. Clean clamping area with fat solvent (standard commercial cleaning agent) before mounting the glass fitting.
5. Never use clamping shoes on structured glass surfaces (except on satined glass) or glass of heavily varying thickness unless with a corresponding levelling layer.
6. Never use clamping shoes on self-cleaning coatings.
7. When adjusting glass elements, always stick to the required clearance for the respective fitting. Adjust clearance so that the glass does not touch hard components such as glass, metal or concrete.
8. Make sure not to use excessive force when installing the glass (avoid local stress resulting from very tight screws).

### Maintenance

Check fittings at regular intervals for proper positioning and smooth running and door for correct adjustment. Especially highly-frequented door systems require inspection by properly qualified staff (specialised companies or installation firms). Immediately replace damaged glass elements (no glass flaking and/or conchoidal fractures)!

# NOTES

---

# NOTES

—



DORMA GmbH+Co. KG  
DORMA Platz 1  
58256 ENNEPETAL  
GERMANY  
Phone +49 2333 793-0  
Fax +49 2333 793-4950  
[www.dorma.com](http://www.dorma.com)

DORMA-Glas GmbH  
Max-Planck-Straße 33-45  
32107 BAD SALZUFLEN  
GERMANY  
Phone +49 5222 924-100  
Fax +49 5222 924-3100  
[www.dorma.com](http://www.dorma.com)