



Technical manual
for ordering
and installation

DORMA

MANET

Single-point fixings
for interior applications

Product description
4 – 5



MANET CONCEPT

6 – 37



MANET COMPACT Sets

38 – 49



MANET AMBIENT

50 – 65



Installation tools/ Accessories

66 – 70

MANET CONCEPT

Today's approach to office design tends to be generously appointed, open-plan layouts. One of the basic underlying principles in this regard is that, in order to be effective in business, you need a clear view of everything that is happening. Consequently, flexible glass partitions and doors are becoming the preferred solution for internal spatial division. Thanks to the flexible modularity of the system, DORMA MANET offers architects and specifiers a free hand in creative almost bespoke design with space, vision and light as a foundation. The basic component is the single-point fixing which is countersunk into the glass and provides for a perfectly flush finish in all applications. In addition to the countersunk version, however, the system now also offers a new

alternative, i.e. whereby the single-point fixing is clamped to the glass surface. When using these mounting elements, glazing systems of 8 mm thickness as well as the usual 10 and 12 mm thicknesses are available as standard applications for sliding doors. Other glass thicknesses may also be available, and the installation of timber doors is likewise possible. Design modifications enable the free combination of various roller carrier and track rail types. Further details can be found in the relevant introductory pages. Adjustable angle connectors provide for reliable attachment to existing structural components or glass-to-glass combinations, with integrated pivoting and sliding door elements complementing the system.



MANET COMPACT Sets

Just as visually effective are the MANET COMPACT standardised sets from the DORMA MANET family. These facilitate single, fast planning of the more popular system types with 8, 10 or 12 mm glass for doors and 10 and 12 mm glass for overpanels and sidelights. The MANET COMPACT sliding door sets will be delivered with roller carrier in CLASSIC design.

Optional accessories are available for increased design variety within the individual sets.

The system components come with numerous adjustment possibilities in order to ensure problem-free installation of the sliding, double action or single action doors. Wall abutment profiles/connectors (for attaching the overpanel and sidelight screens to the existing structure) may need to be provided.



MANET AMBIENT

The remarkable MANET AMBIENT range of hardware breathes new life into furniture creations. Sliding, pivoting, retention – this system transforms the functional into the stylish, affording the designer almost unlimited scope for creativity. Exacting in terms of its concept and engineering excellence, this hardware system is quite unique in a number of ways - not least because the stainless steel fittings are not concealed, serving instead to accentuate exceptional furniture design. The MANET AMBIENT system approach is also reflected in the minimal number of basic components incorporated in the overall range.

At the heart of the system is the rod - the connecting element that also functions as a support, track rail or pivot. Shelf supports and single-point fixings (flush-mounted in the glass) are further components in this kit system with its unique fitting methods, application range and modularity. MANET AMBIENT is the ideal aesthetic partner not only to glass surfaces but also to fine wood carcass furniture - in offices, foyers, kitchens, living rooms and bedrooms. Hardly surprising, then, that this industrial-quality product range is encountered not only in the project hardware sphere but also, increasingly, in private homes as well.



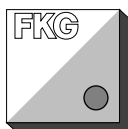
Sliding
Pivoting
Retention

All the elements including the pull handles are available in an elegant stainless steel finish (AISI 303). In applications involving corrosive atmospheres, many fittings are also available in stainless steel AISI 316L.



Awarded with the design prize red dot 2002

Needless to say, all DORMA systems are protected by proprietary rights worldwide. We will be glad to provide you with information concerning relevant patents, e.g. PCT/EP03/04299, PCT/EP01/04255 etc. on application.



Fachverband
Konstruktiver Glasbau e.V.





Content

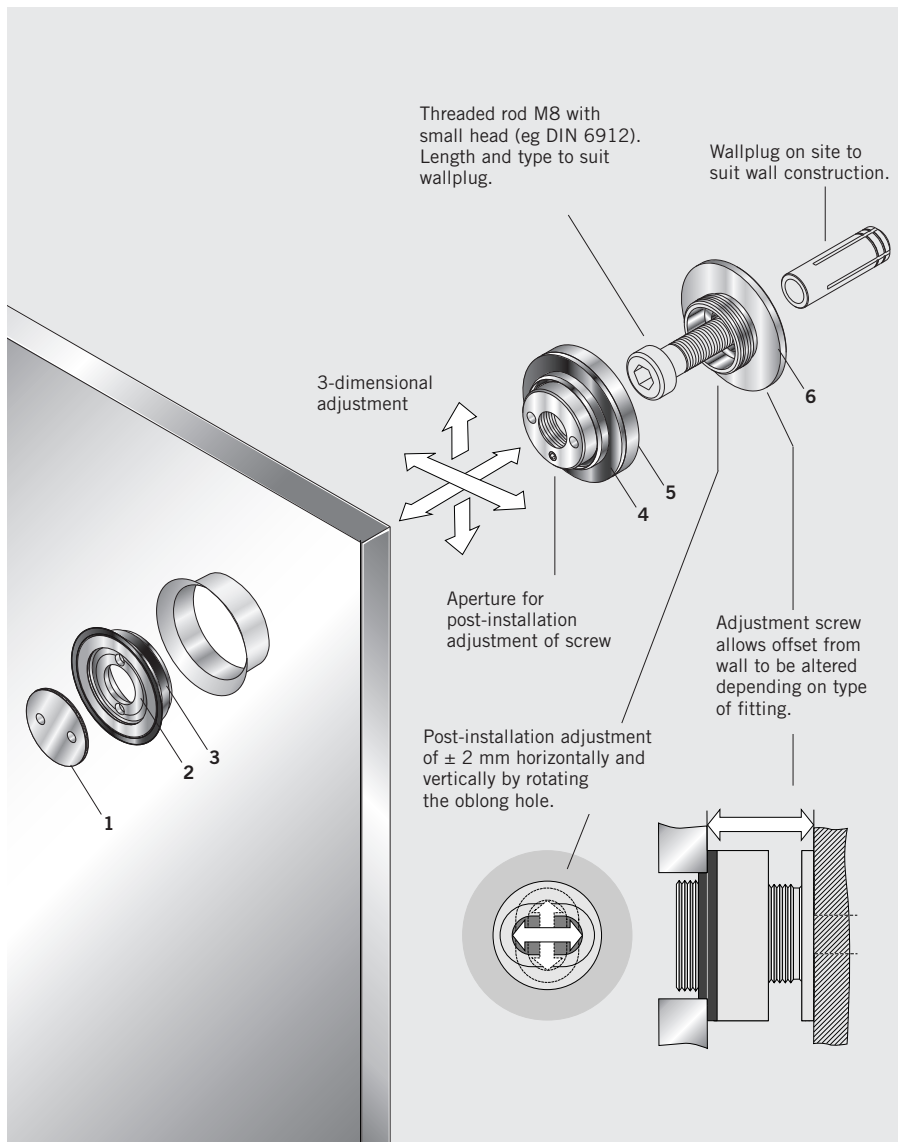
Single-point fixing	8
Connection system	10
Pivoting door system	14
Sliding door system	22
Pull handles/door knobs	34

Single-point fixing series S32/35

The basic component within the MANET system is the single-point fixing. Rather than cylindrical bore in the glass, this has a tapered countersunk bore for a perfect seated fit to the glass. These give a flush finish of the single-point fixing in all applications.

The three-dimensional adjustability incorporated within the fitting ensures ideal compensation for structural and drilling tolerances.

Constraint-free transmission of all the forces acting on the glass to the substructure is also ensured.

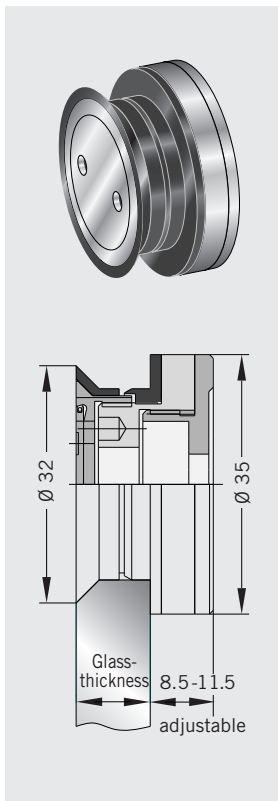


- Components**
- 1 Clip-on cover
 - 2 Pin internal thread
 - 3 Conical sleeve
 - 4 Gasket
 - 5 Fixing
 - 6 Adjustment screw

Installation and adjustment

- Transfer the drilling points from the installation drawing to the wall.
- Drill anchor holes for wall plugs.
- Undo adjustment fastener and secure to the wall.
- Only lightly tighten fastener so that it can still be moved.
- Mount the fixing and washer and fit the glass.
- Undo the adjustment fastener and then secure in final position.
- Align single-point fixings and secure with grub screw.
- Fit tapered nut and clamping ring and tighten with special wrench (tightening torque 15 Nm).
- Clip on covers.

Type and ordering information



**Single-point fixing,
Glass/Wall
Glass/Wall offset
adjustable 8.5 - 11.5 mm**

Complete fitting

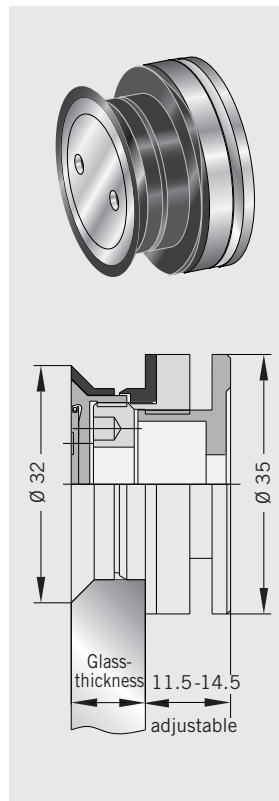
Glass thickness 10 mm:
Art. No. 8.29.200.700.99

Glass thickness 12 mm:
Art. No. 8.29.210.700.99

Glass thickness 13.5 mm:
Art. No. 8.29.240.700.99

Glass thickness 15 mm:
Art. No. 8.29.244.700.99

Glass thickness 17.5 mm:
Art. No. 8.29.248.700.99



**Single-point fixing,
Glass/Wall
Glass/Wall offset
adjustable 11.5 - 14.5 mm**

Complete fitting

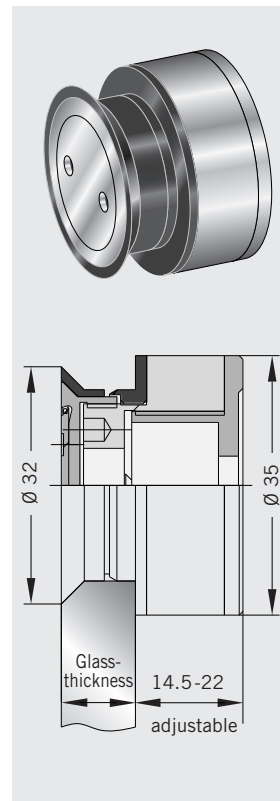
Glass thickness 10 mm:
Art. No. 8.29.201.700.99

Glass thickness 12 mm:
Art. No. 8.29.211.700.99

Glass thickness 13.5 mm:
Art. No. 8.29.241.700.99

Glass thickness 15 mm:
Art. No. 8.29.245.700.99

Glass thickness 17.5 mm:
Art. No. 8.29.249.700.99



**Single-point fixing,
Glass/Wall
Glass/Wall offset
adjustable 14.5 - 22 mm**

Complete fitting

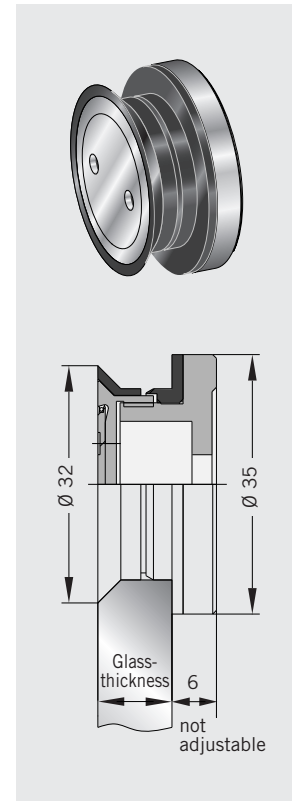
Glass thickness 10 mm:
Art. No. 8.29.202.700.99

Glass thickness 12 mm:
Art. No. 8.29.212.700.99

Glass thickness 13.5 mm:
Art. No. 8.29.242.700.99

Glass thickness 15 mm:
Art. No. 8.29.246.700.99

Glass thickness 17.5 mm:
Art. No. 8.29.250.700.99



**Single-point fixing,
Glass/Wall
Glass/Wall offset 6 mm
not adjustable**

Complete fitting

Glass thickness 10 mm:
Art. No. 8.29.205.700.99

Glass thickness 12 mm:
Art. No. 8.29.215.700.99

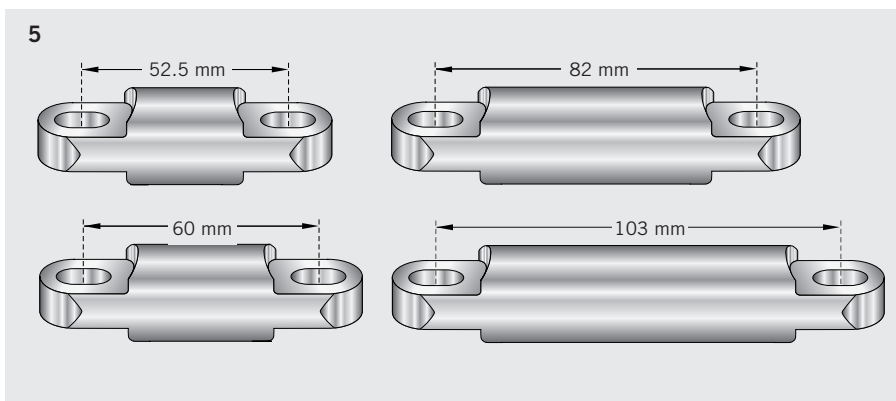
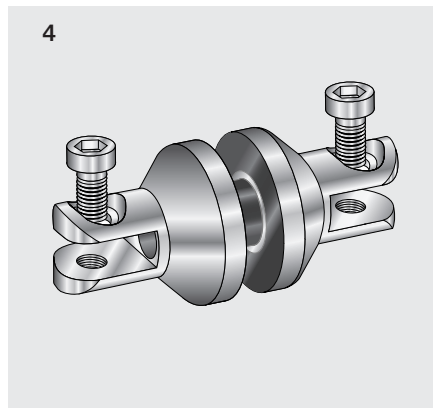
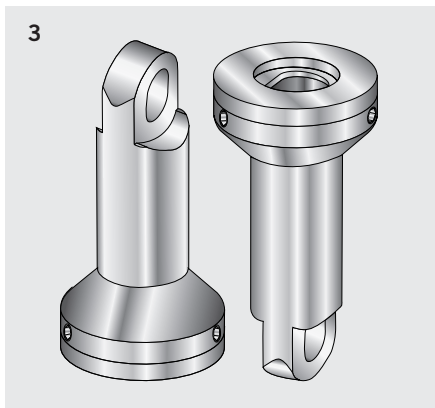
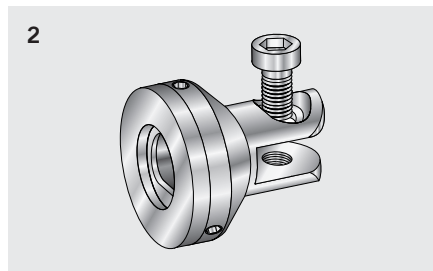
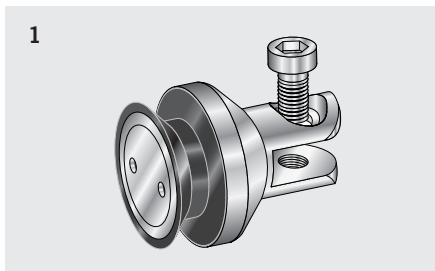
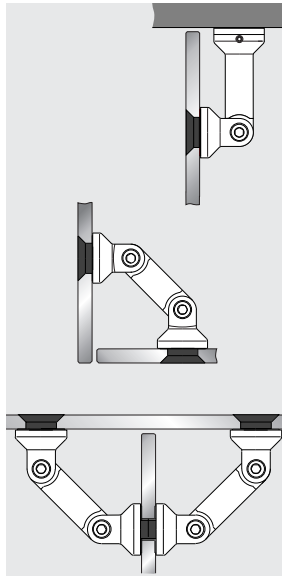
Glass thickness 13.5 mm:
Art. No. 8.29.243.700.99

Glass thickness 15 mm:
Art. No. 8.29.247.700.99

Glass thickness 17.5 mm:
Art. No. 8.29.251.700.99

Connection system

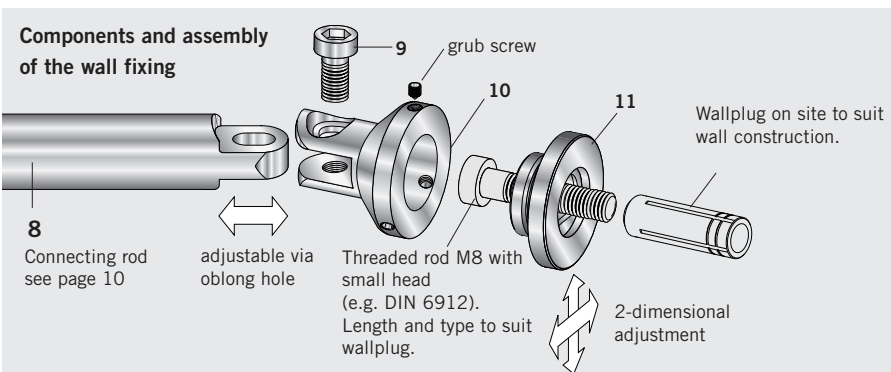
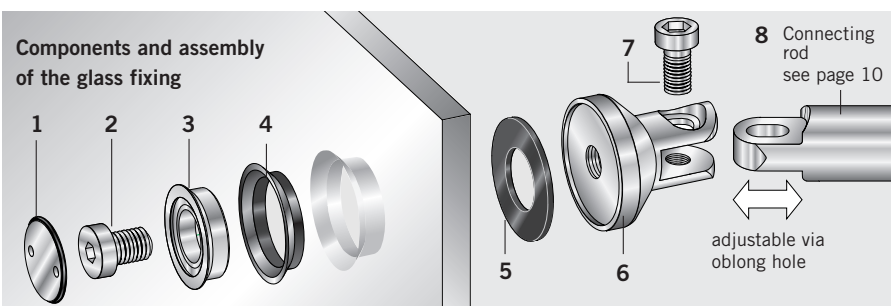
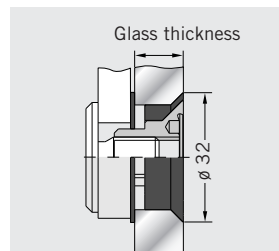
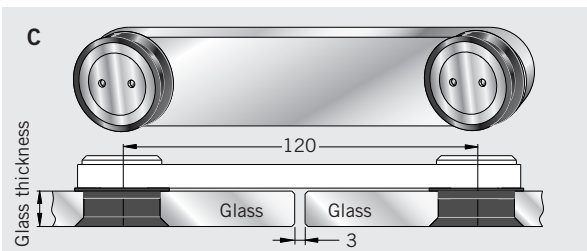
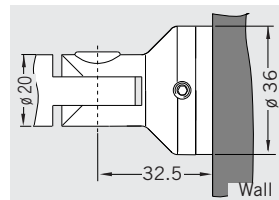
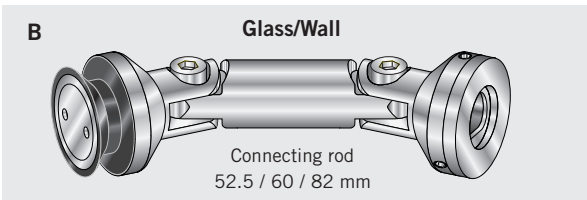
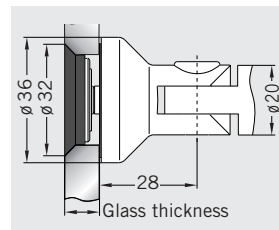
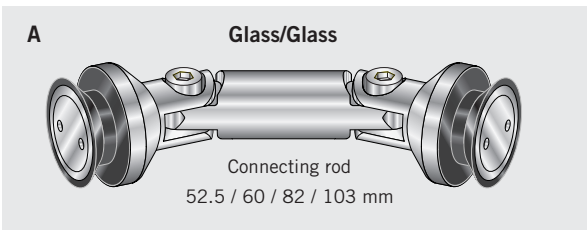
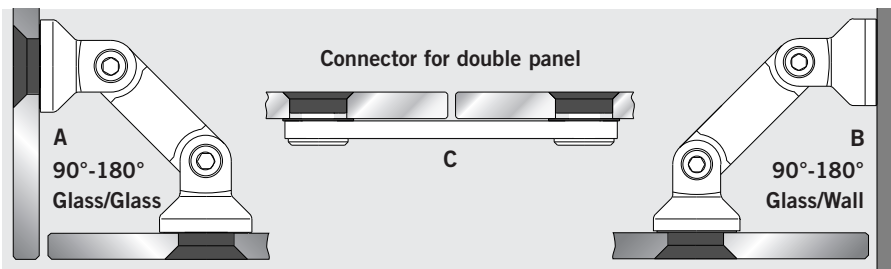
The system approach is very much in evidence in the case of the interconnecting components. Elements such as clamping and angle connectors of various designs and also interconnecting fasteners of various lengths can be combined in order to attach glass of different thicknesses at any required angle to the floor, to ceilings, to walls and to plinth supports. Single-point fixings flush with the glass are also used for this interconnection and glass-to-glass system. Tolerances are compensated by slotted holes in the interconnecting fasteners.



Ordering information

- 1**
Pivoting glass clamp
Glass thickness 8-12 mm
Art. No. 8.29.160.700.99
Glass thickn. 13.5-17.5 mm
Art. No. 8.29.162.700.99
Glass thickn. 17.5-21.5 mm
Art. No. 8.29.163.700.99
- 2**
Pivoting wall fixing
Art. No. 8.21.141.700.99
- 3**
Column
Ceiling/floor fixing
Art. No. 8.21.146.700.99
- 4**
Clamping connector
Glass thickness 8-12 mm
Art. No. 8.29.149.700.99
- 5**
Connecting rod
Length 52.5 mm
Art. No. 8.21.301.002.40
Length 60 mm
Art. No. 8.21.301.004.40
Length 82 mm
Art. No. 8.21.301.003.40
Length 103 mm
Art. No. 8.21.301.005.40

Connection system



Ordering information

A Complete fitting glass/glass
 8-12 mm glass thickness
 With connecting rod
 52.5 mm
 Art. No. 8.29.120.700.99
 With connecting rod
 60 mm
 Art. No. 8.29.122.700.99
 With connecting rod
 82 mm
 Art. No. 8.29.125.700.99
 With connecting rod
 103 mm
 Art. No. 8.29.130.700.99

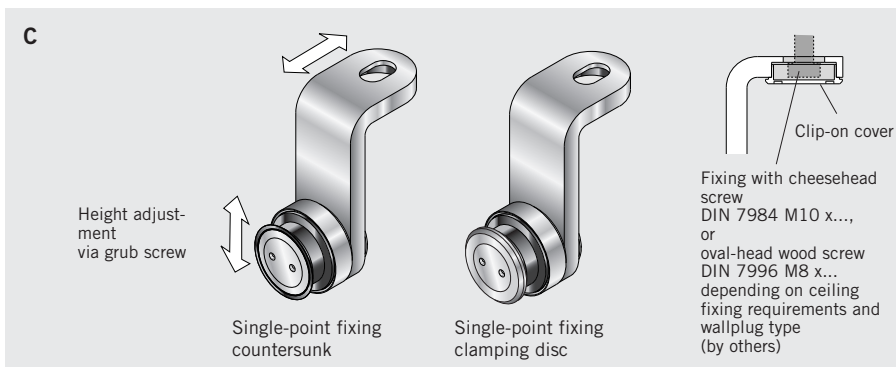
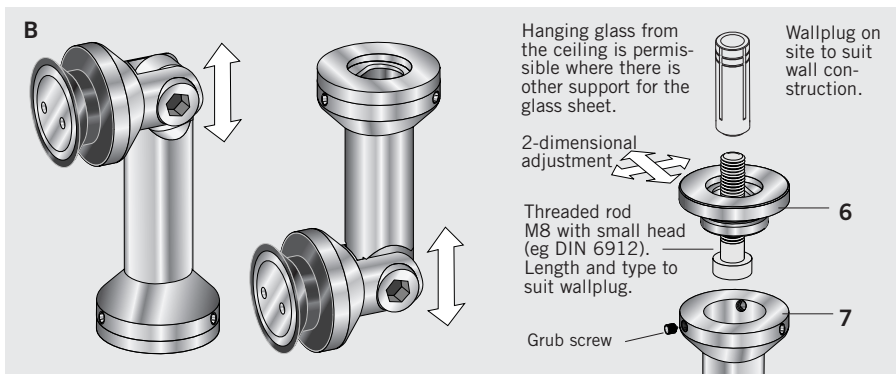
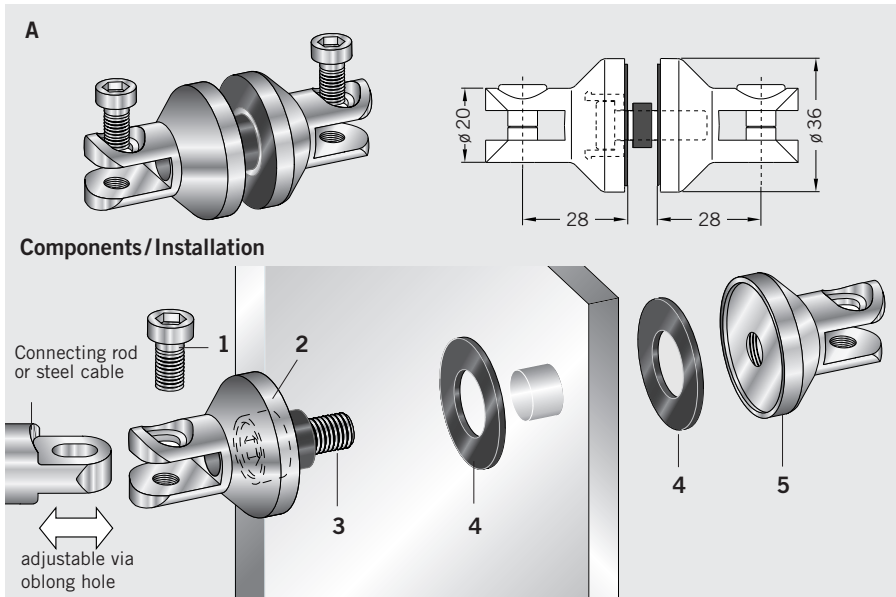
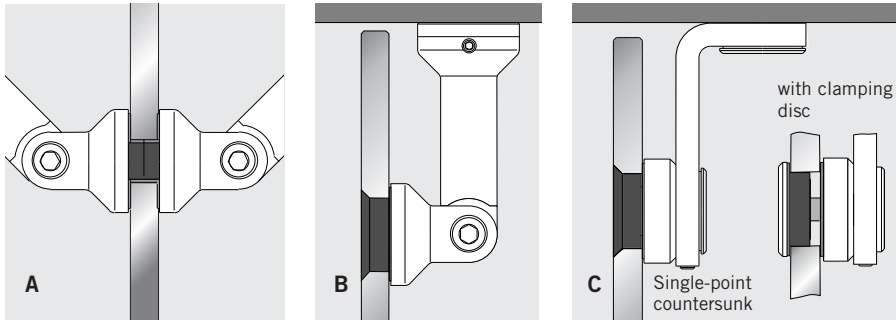
B Complete fitting glass/wall
 8-12 mm glass thickness
 With connecting rod
 52.5 mm
 Art. No. 8.29.139.700.99
 With connecting rod
 60 mm
 Art. No. 8.29.140.700.99
 With connecting rod
 82 mm
 Art. No. 8.29.142.700.99

C Complete fitting Connector
 for glass thickness
 8-12 mm
 AISI 303
 Art. No. 8.29.148.700.99
 AISI 316L
 Art. No. 8.29.368.700.99

Components

- 1 Clip-on cover
- 2 Connecting bolt
- 3 Conical collar
- 4 Conical sleeve
- 5 Gasket
- 6 Pivoting clamp
- 7 Connecting bolt
- 8 Connecting rod to suit length
- 9 Connecting bolt
- 10 Pivoting clamp
- 11 Fixing plate

Connection system



Ordering information

A
Clamping connector
 Complete fitting
 Glass thickness 8-12 mm
 Art. No. 8.29.149.700.99

B
Corner connector 90°
 Glass/ceiling, Glass/floor connection
 Complete fitting
 Glass thickness 8-12 mm (only supporting function)
 Art. No. 8.29.145.700.99

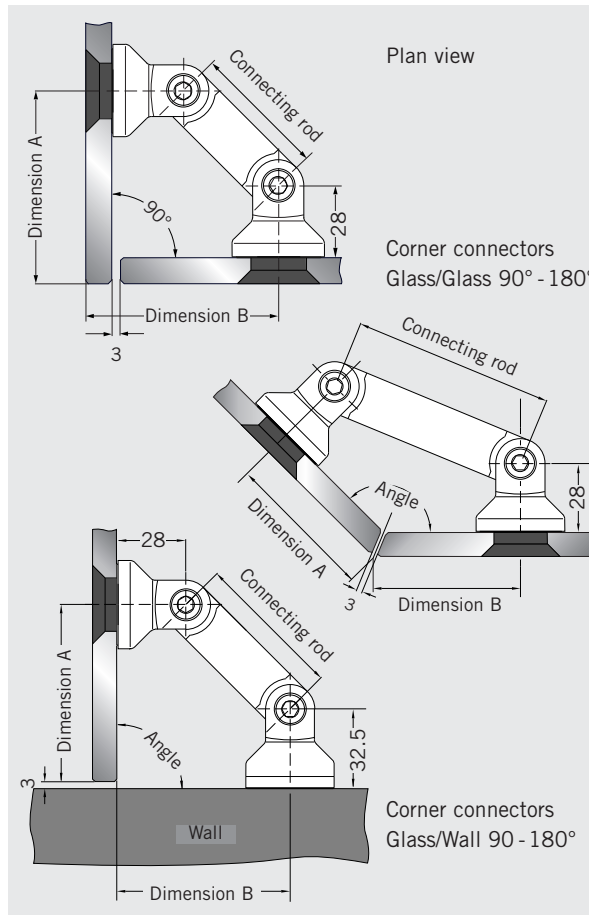
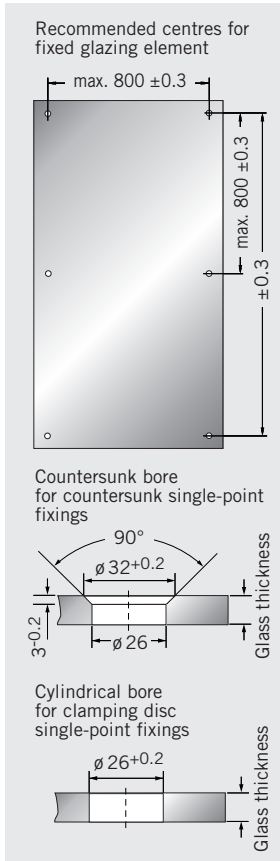
C
Ceiling fixing
 (bearing function)
 Complete fitting
 Glass thickness 8-12 mm countersunk
 Art. No. 8.29.337.700.99
 clamping disc
 Art. No. 8.29.338.700.99

Components

- 1 Connecting bolt
- 2 Pivoting clamp
- 3 Connecting bolt
- 4 Gasket
- 5 Pivoting clamp
- 6 Fixing plate
- 7 Column

Glass preparation for single-point fixings and corner connections

For ESG and VSG out of ESG.



Dimensions in mm

Corner connectors
Glass/Glass

Angle	Length of Connecting rod			
	52.5	60	82	103
90°	75	80	96	
95°	70	75	90	
100°	66	71	85	
105°	62	67	81	
110°	59	63	77	
115°	55	60	73	
120°	52	56	69	
125°	49	54	66	
130°	47	51	63	
135°	44	48	60	
180°				50

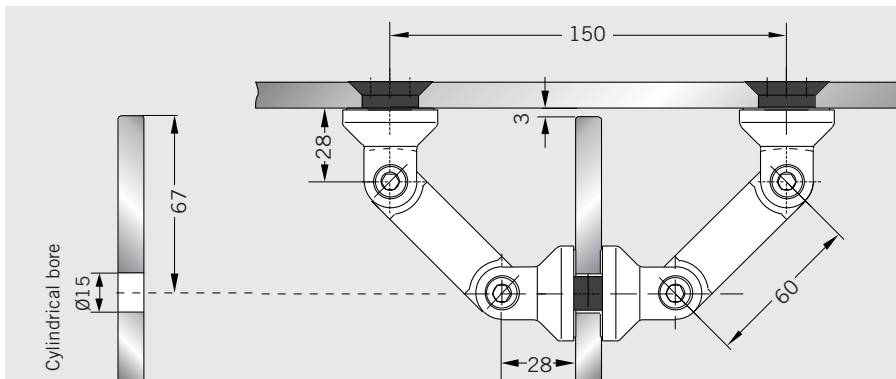
Dimensions for 10 mm glass thickness (consider variants for other glass thicknesses).

Glass/Wall

Angle	Length of Connecting rod		
	52.5	60	82
90°	67/65	72/70	87.5/86

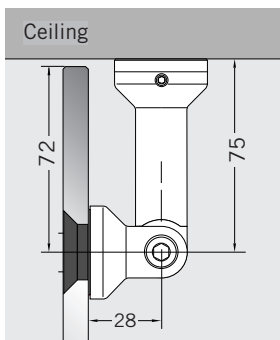
Dimensions for 10 mm glass thickness (consider variants for other glass thicknesses).

Clamping connector

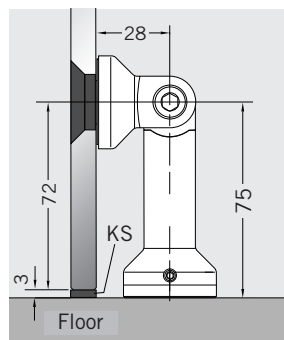


Ensure compliance with minimum glass/bore clearances as per glass manufacturer recommendations

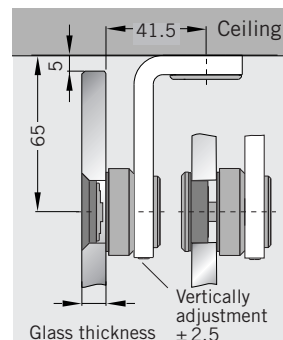
Corner connector glass/ceiling



Corner connector glass/floor



Ceiling fixing (bearing)



Glass preparation with a tolerance of max. ± 0.3 mm is recommended.

Pivoting door system

MANET pivoting doors can be installed in both glass partitions and masonry openings. They come as both single and double-action swing doors with a maximum weight of 100 kg and a maximum leaf width of 1200 mm.

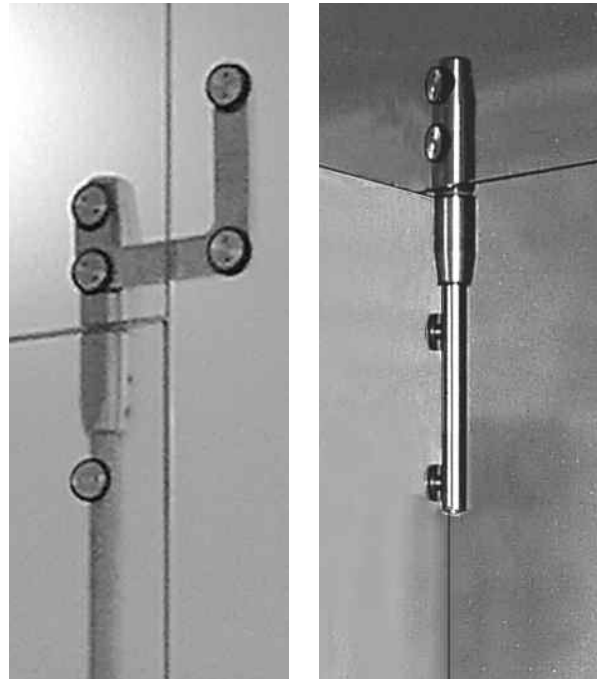
All the single-point fixings are designed for clip-on covers for easier installation. Other components include the bottom pivot bearing, top pivot fittings with bearing spigot or eccentric bushing and also overpanel/sidelight connectors.

As a result, there are almost unlimited possibilities for integrating frameless swing doors both in masonry openings – with or without overpanels and

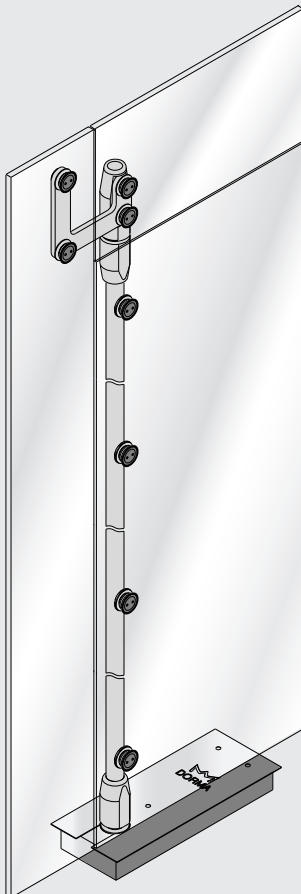
sidelights – and in glass partition constructions retained by single-point fixings.

The pivoting door system has undergone a number of improvements. Whether with a full-length pivot rod or a pair of shorter pivot rods, the top bearing socket is now located in the fitting on the door leaf. This means that connection to the ceiling, lintel or transom can now be provided in the form of the standard PT25 top pivot spigot from the DORMA range.

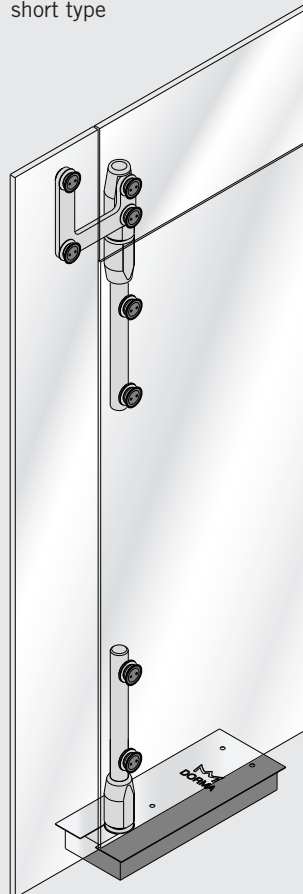
The door assemblies can be equipped with floor springs such as the DORMA BTS 75V, and corner locks are naturally also available.



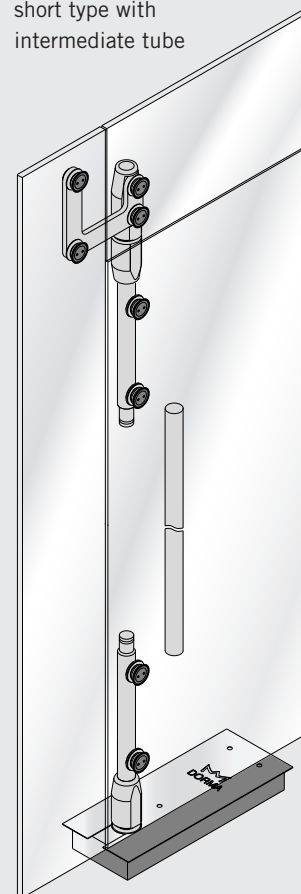
Pivot bearing with full-length pivot rod



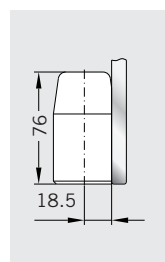
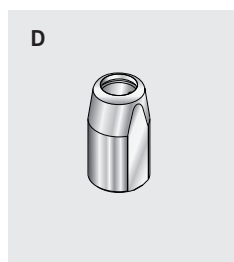
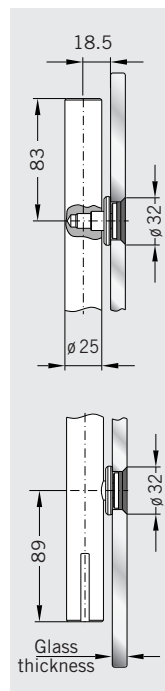
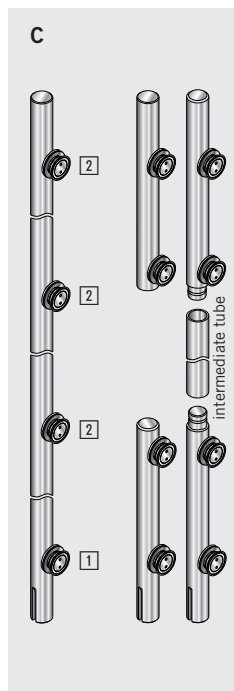
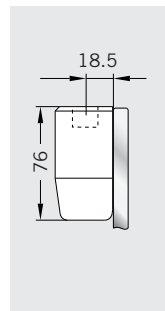
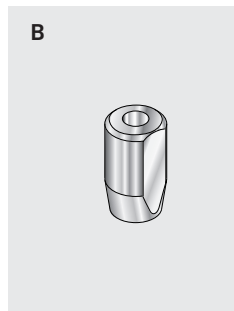
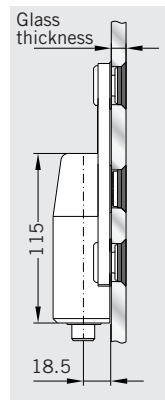
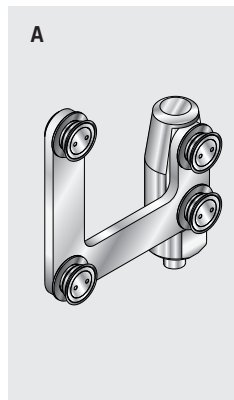
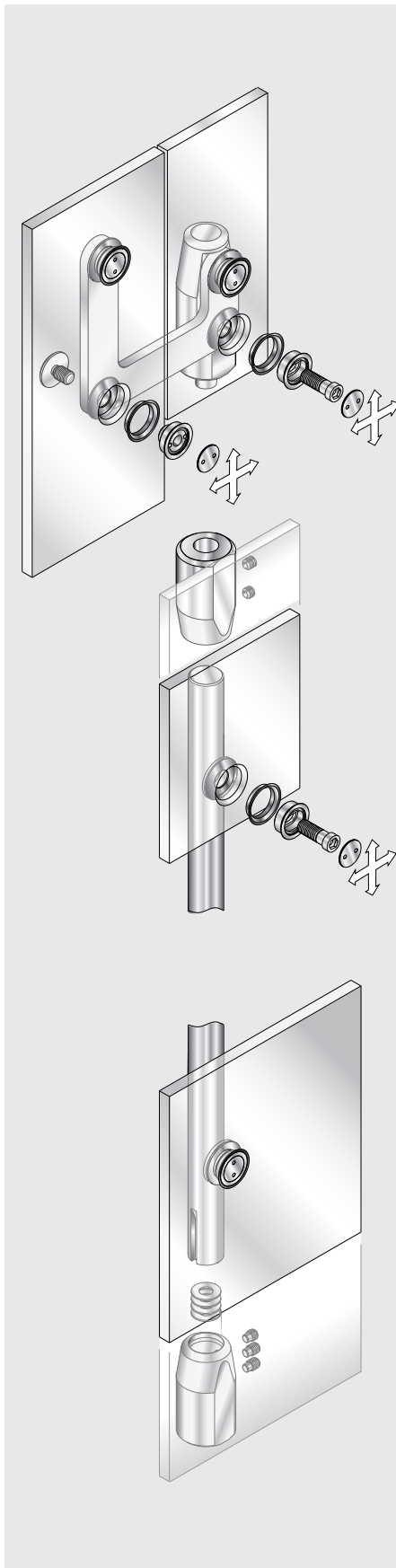
Pivot bearing with pivot rod pair short type



Pivot bearing with pivot rod pair short type with intermediate tube



Components for pivoting door system



Ordering information

**A Overpanel/
sidelight connector**
complete fitting
for 10/12 mm glass
Art. No. 8.29.330.700.99
AISI 316L
Art. No. 8.29.362.700.99

**B Pivot fitting
for overpanel**
Art. No. 8.21.310.700.99
AISI 316L
Art. No. 8.21.350.700.99

**C Pivot rod,
drilled, fixed length**
Art. No. 8.21.300.700.99
AISI 316L
Art. No. 8.21.340.700.99

**Single-point fixing,
countersunk, fixed [1]**
for 10/12 mm glass
Art. No. 8.29.460.700.99
AISI 316L
Art. No. 8.29.461.700.99
for 13.5 - 15.5 mm glass
Art. No. 8.29.450.700.99

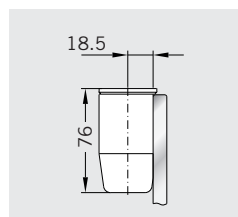
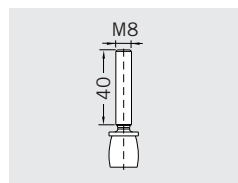
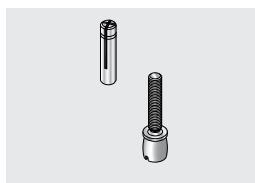
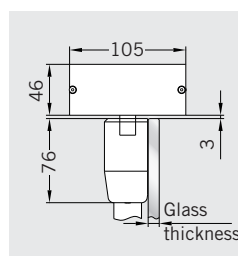
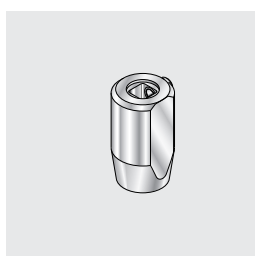
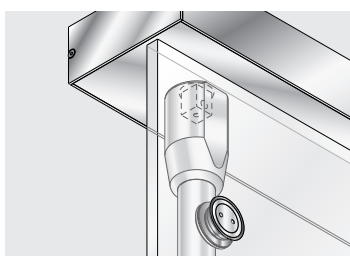
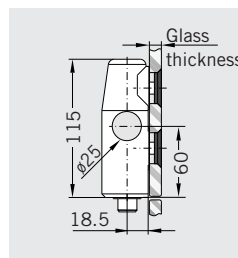
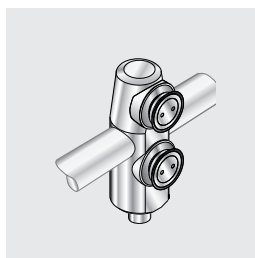
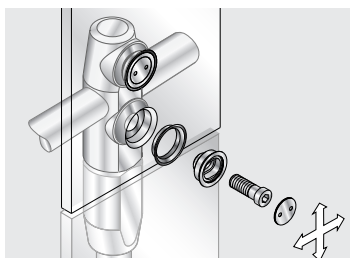
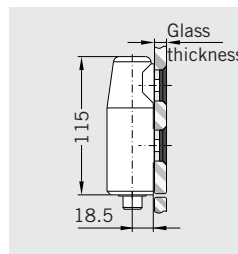
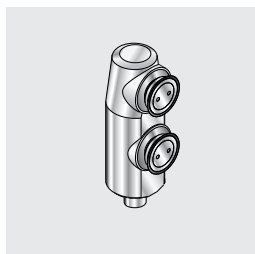
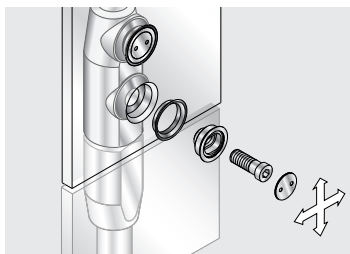
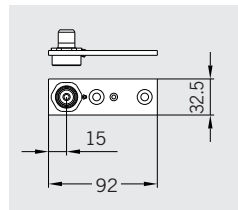
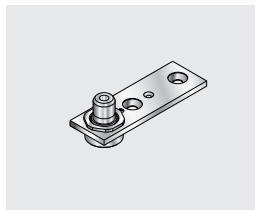
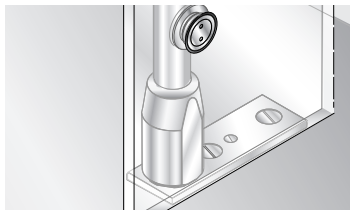
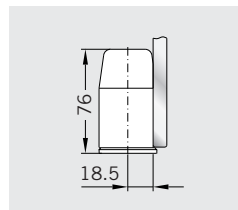
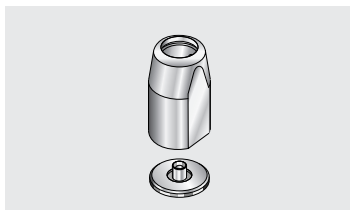
**Single-point fixing,
countersunk, centring [2]**
for 10/12 mm glass
Art. No. 8.29.462.700.99
AISI 316L
Art. No. 8.29.463.700.99
for 13.5 - 15.5 mm glass
Art. No. 8.29.455.700.99

**Pivot rod set,
short type
top/bottom,
incl. 4 single-point fixings**
Art. No. 8.29.302.700.99
AISI 316L
Art. No. 8.29.342.700.99
ditto for intermediate tube
Art. No. 8.29.303.700.99
AISI 316L
Art. No. 8.29.343.700.99

Intermediate tube
fixed length up to 2 m
Art. No. 8.21.305.700.99
AISI 316L
Art. No. 8.21.345.700.99
Stock length 1.923 mm
Art. No. 8.21.304.700.99
AISI 316L
Art. No. 8.21.344.700.99

**D Pivot bearing for
DORMA BTS/floor pivot**
Art. No. 8.21.311.700.99
AISI 316L
Art. No. 8.21.351.700.99

Components for pivoting door system



Ordering information

Pivot bearing for wet rooms
Art. No. 8.21.540.700.99

Floor pivot
Art. No. 8.01.106.700.99

Pivot bearing location for overpanel
for 8 - 12 mm glass,
Art. No. 8.29.333.700.99
AISI 316L
Art. No. 8.29.353.700.99

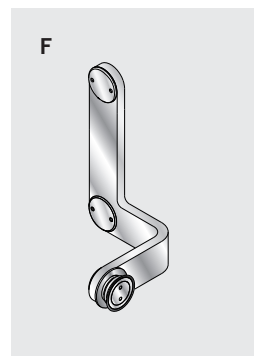
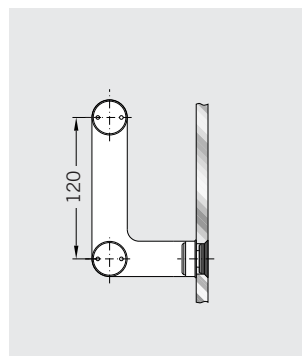
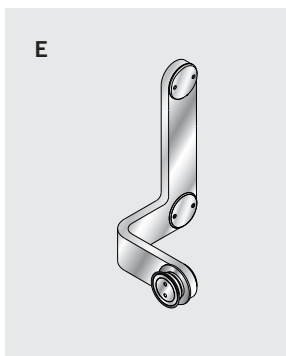
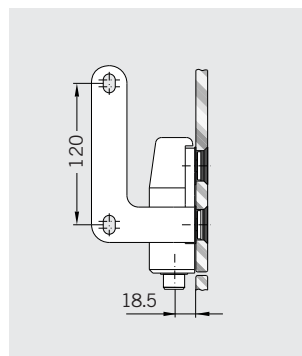
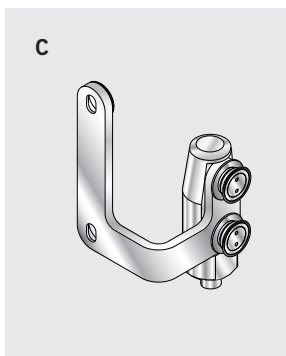
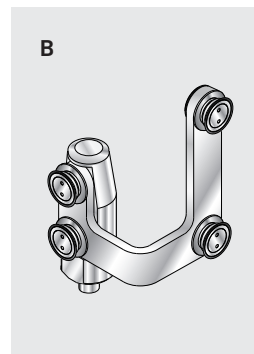
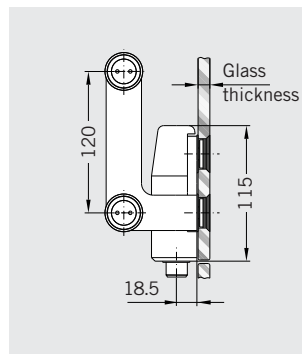
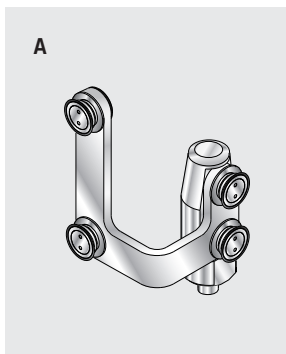
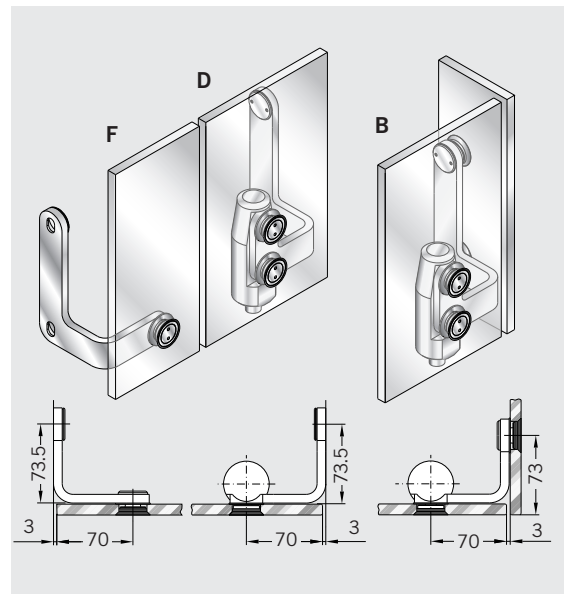
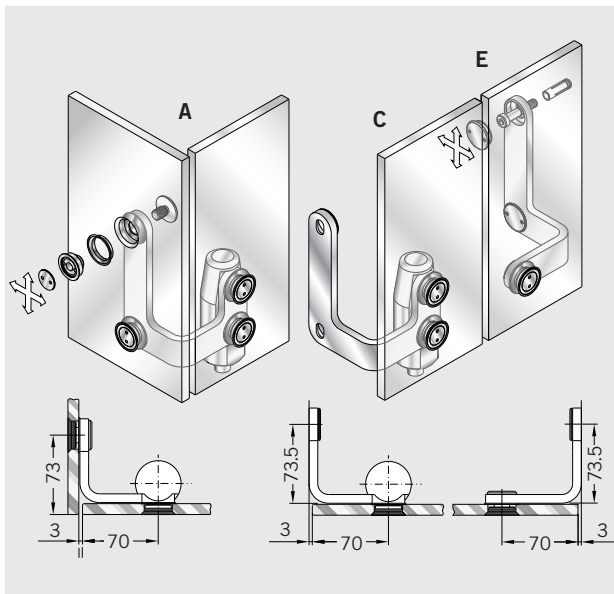
Pivot bearing fitting for overpanel with cylindrical bore for rod
for 8 - 12 mm glass,
Art. No. 8.29.354.700.99

Pivot bearing for RTS
Art. No. 8.21.314.700.99

PT 25 top pivot
for ceiling connection,
15 mm Ø, with plug
Art. No. 8.01.115.000.99

Pivot bearing for installation to ceiling adjustable
for 8 - 12 mm glass,
AISI 316L
Art. No. 8.21.318.700.99

Components for pivoting door system



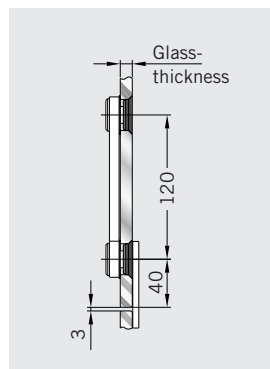
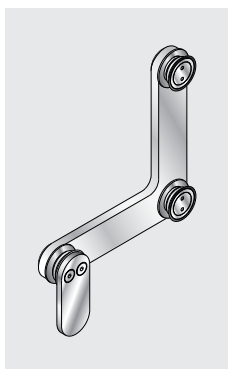
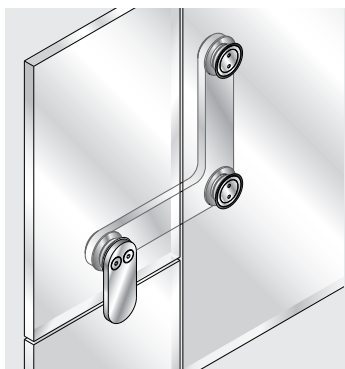
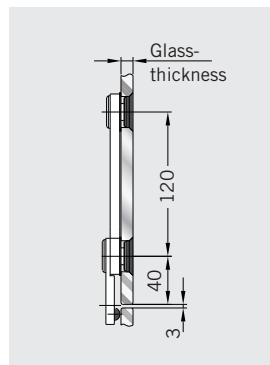
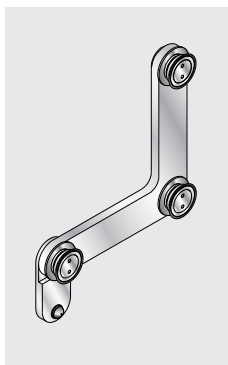
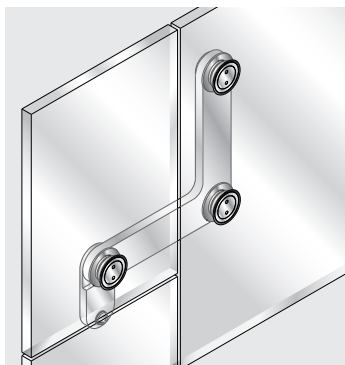
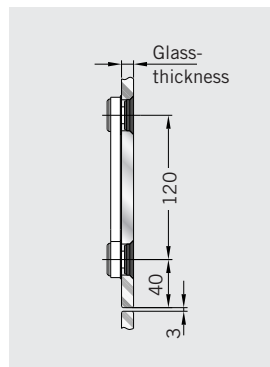
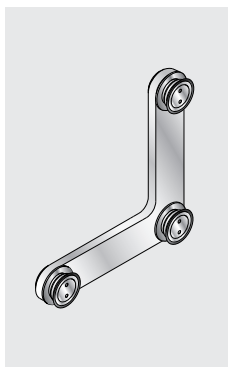
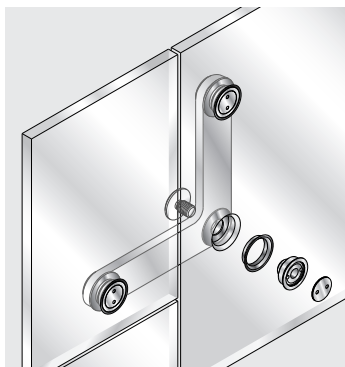
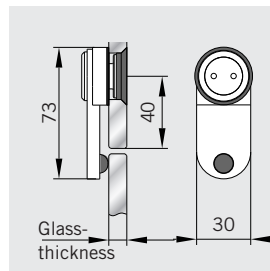
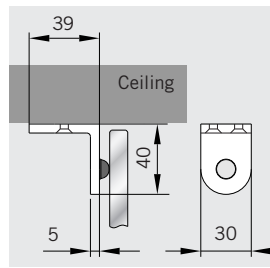
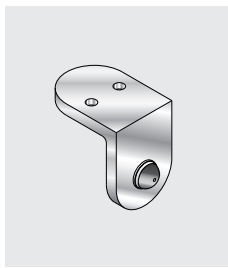
Ordering information

Overpanel/sidelight connector for glass fixing 90° offset, with pivot bearing location, complete fitting for 10 and 12 mm glass,
A right hand
 Art. No. 8.29.331.700.99
B left hand
 Art. No. 8.29.332.700.99

Overpanel/sidelight connector for wall fixing 90° offset, with pivot bearing location, complete fitting for 10 and 12 mm glass,
C right hand
 Art. No. 8.29.328.700.99
D left hand
 Art. No. 8.29.329.700.99

Overpanel/sidelight connector for wall fixing 90° offset, complete fitting for 10 and 12 mm glass,
E right hand
 Art. No. 8.29.326.700.99
F left hand
 Art. No. 8.29.327.700.99

Components for pivoting door system



Ordering information

Stop for pivoting door
with ceiling mounting
Art. No. 8.21.334.700.99

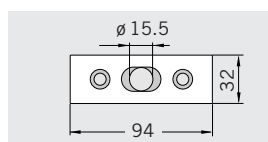
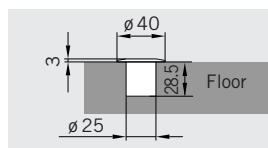
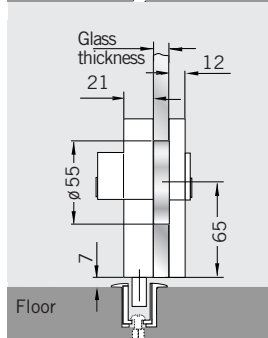
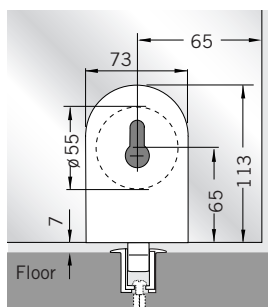
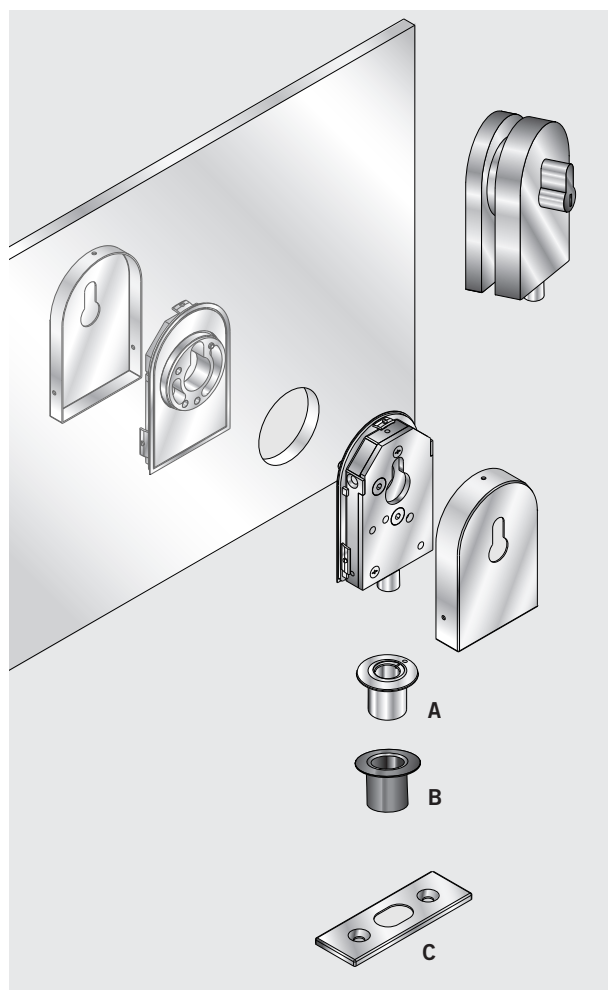
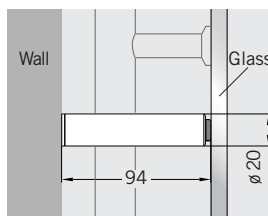
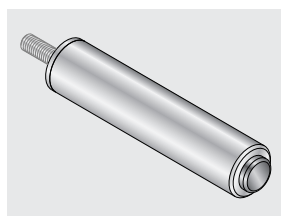
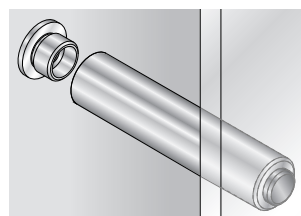
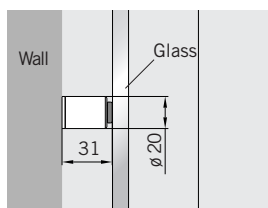
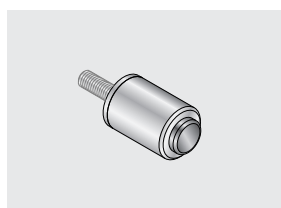
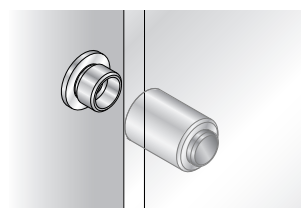
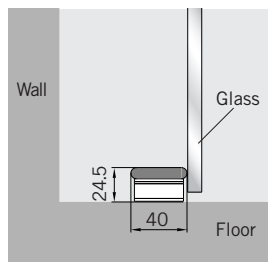
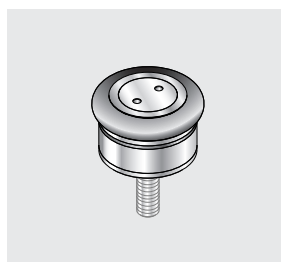
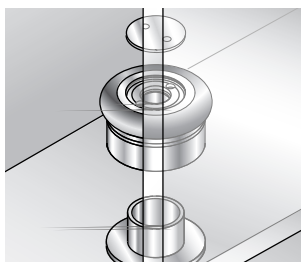
Stop at overpanel
(inside/outside)
for 10 and 12 mm glass,
Art. No. 8.29.335.700.99

Overpanel-sidelight connection
for 10 and 12 mm glass,
Art. No. 8.29.320.700.99
AISI 316L
Art. No. 8.29.360.700.99

Overpanel-sidelight connection
with stop inside
for 10 and 12 mm glass,
Art. No. 8.29.322.700.99

Overpanel-sidelight connection
with stop outside
for 10 mm glass,
Art. No. 8.29.324.700.99
for 12 mm glass,
Art. No. 8.29.325.700.99

Components for pivoting door system



Ordering information

Stop for pivoting door
floor mounting
Art. No. 8.29.950.700.99

Stop for pivoting door
wall mounting, short
Art. No. 8.29.951.700.99

Stop for pivoting door
wall mounting, long
Art. No. 8.29.952.700.99

Corner lock
for 8 - 12 mm glass,
Art. No. 8.21.448.700.99

Corner lock
with profile cylinder rose on
inside for 8 - 12 mm glass,
Art. No. 8.21.449.700.99

Profile cylinder
for corner lock
Art. No. 8.14.206.000.99

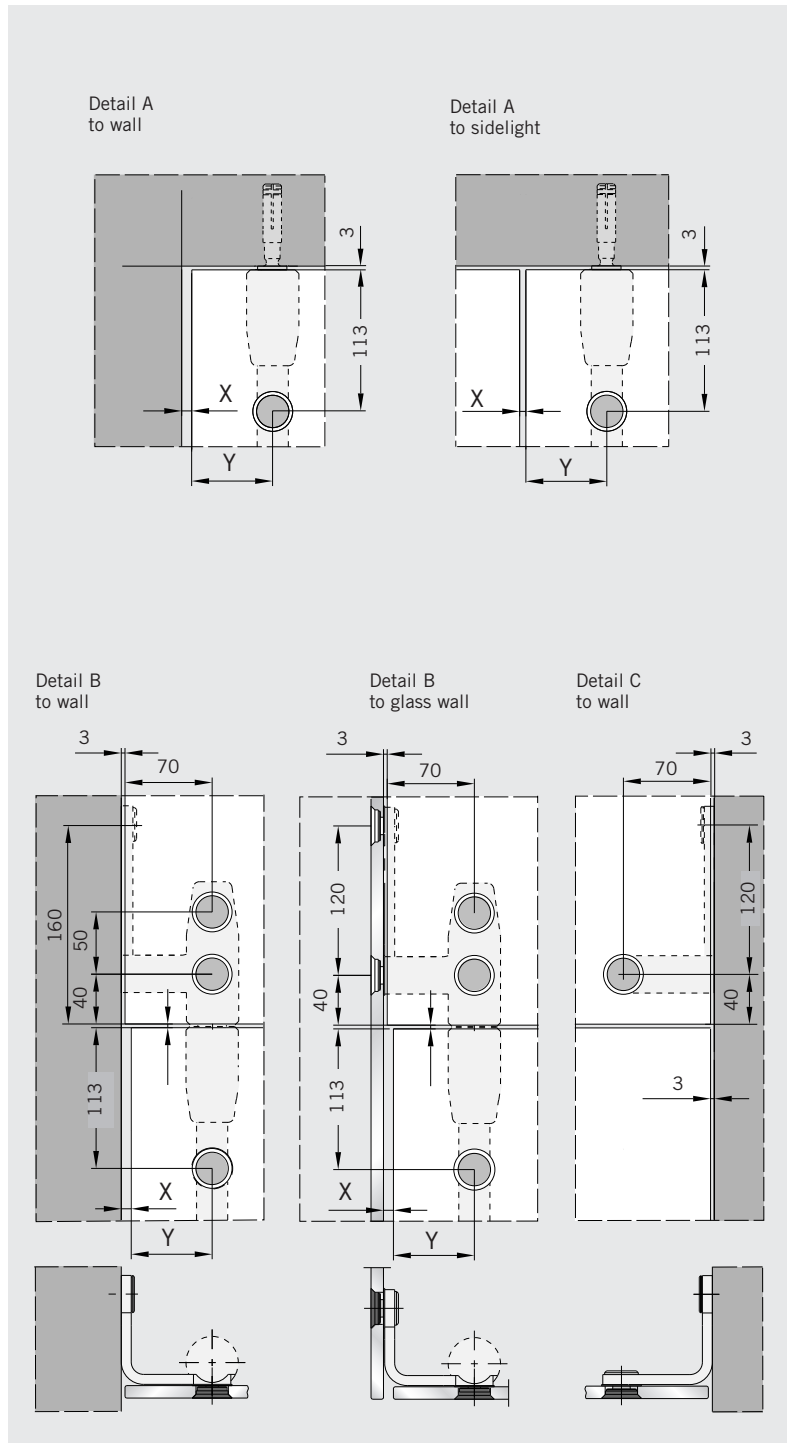
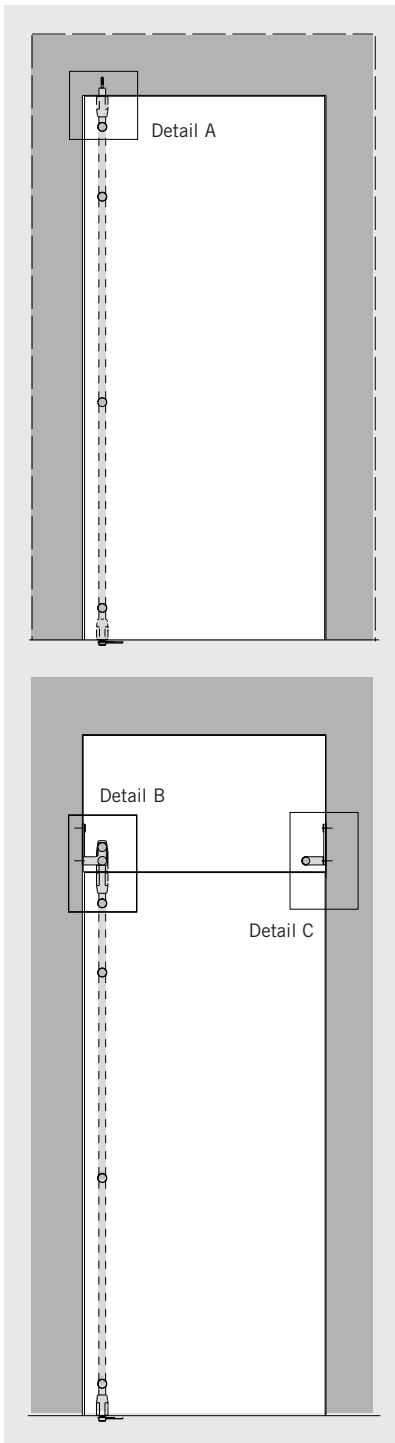
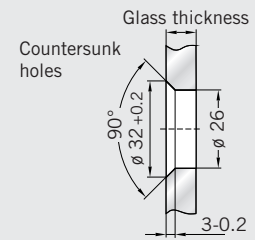
A Eccentric bushing
Art. No. 8.05.194.000.99
B Bushing, plastics
Art. No. 8.00.110.133.32

C Strike plate
Art. No. 8.05.190.000.99

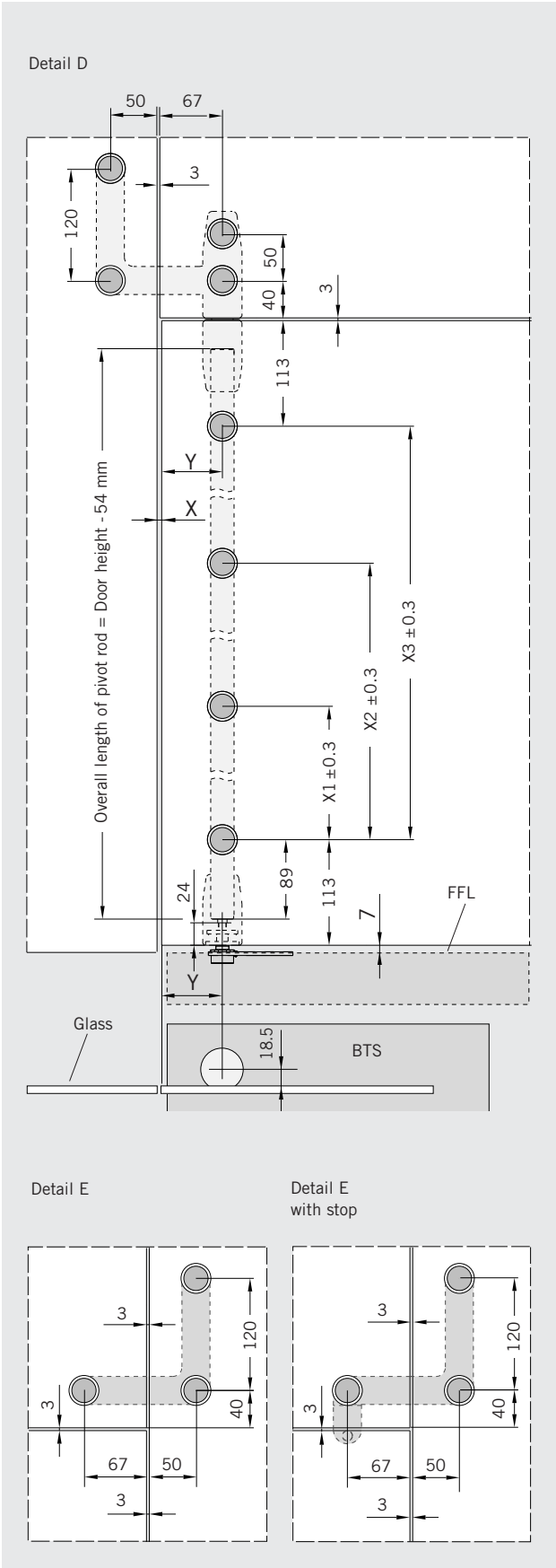
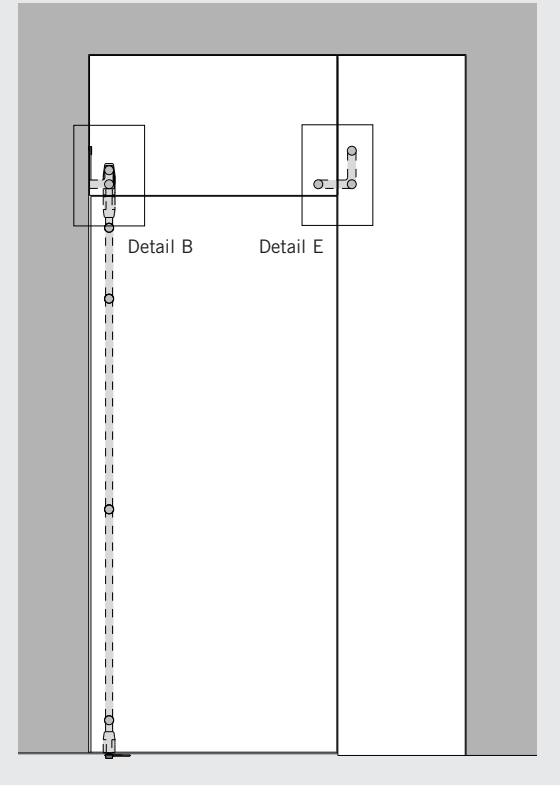
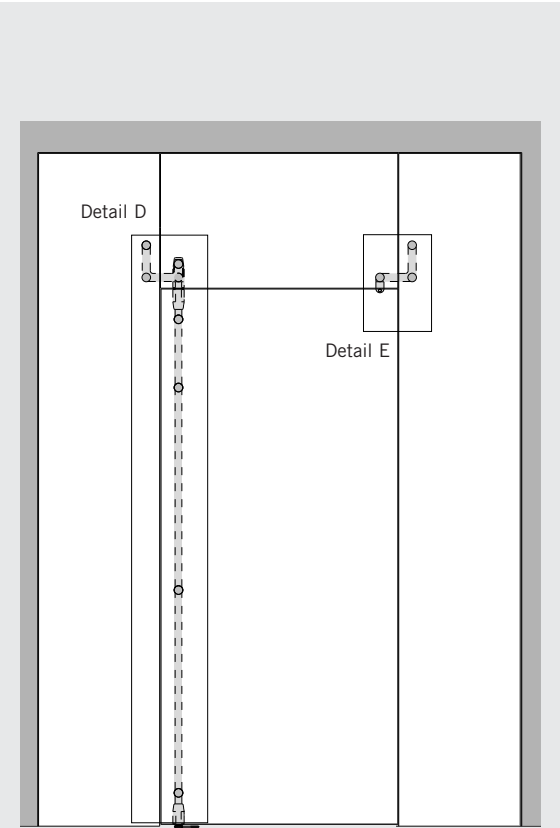
Components for pivoting door system

The gap and distance dimensions recommended by DORMA are indicated in the adjacent table.

Glass thickness mm	Connection	X Gap	Y
10/12	Sidelight	5	65
	Wall	8	
13.5 - 15.5	Sidelight	8	62
	Wall	11	



Glass preparation for pivoting door system



Sliding door system



Roller carrier TREND



Roller carrier CLASSIC

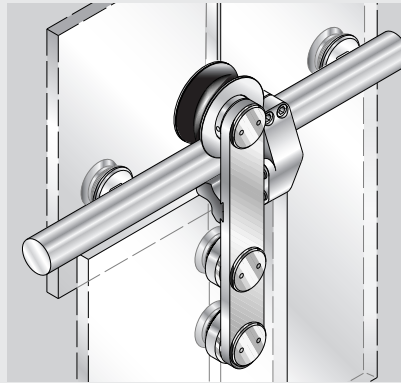
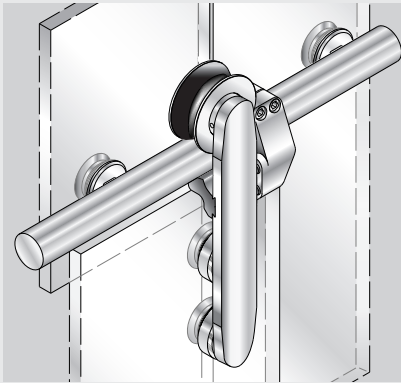
The MANET sliding door system is ideal as an elegant addition complementing high-style interior concepts. Its main components take the form of a solid track rail and the roller carrier. Whether you prefer the TREND or CLASSIC versions, both can be combined with the solid track or a tubular track by simply replacing the anti-jump device. The range includes both glass-flush and proud single-point fixings. The sliding door system allows plenty of scope for individual ideas.

In addition to the standard versions incorporated in toughened glass partitions or face-fixed on masonry openings, this hardware system can also be used to construct curved sliding doors, biparting sliding doors and parallel sliding doors. The fittings are designed for a door weight of max. 120 kg. Mechanical stops that can be positioned on the track rail ensure that the door travel distance is effectively limited.

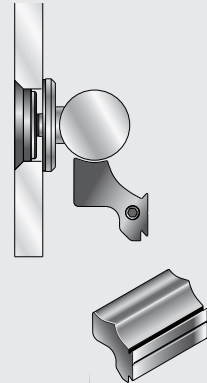
Roller carrier TREND

Roller carrier CLASSIC

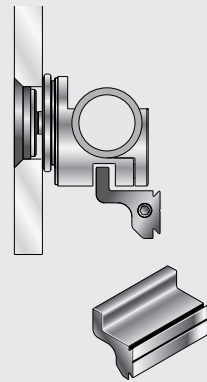
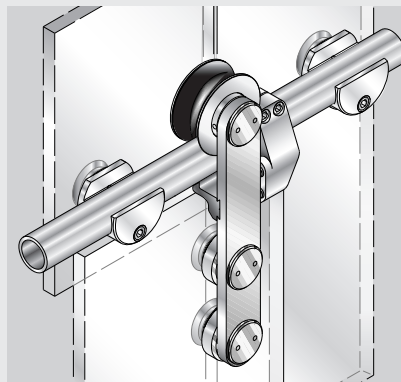
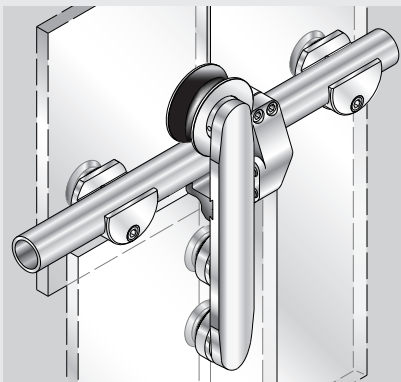
Glass connection with drilled solid track rails



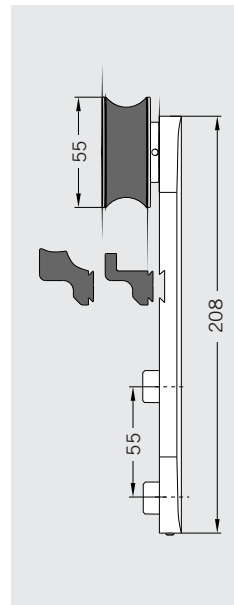
Different anti-jump devices for solid and tubular track rails



Glass connection with clamp fixing and tubes



Roller carrier



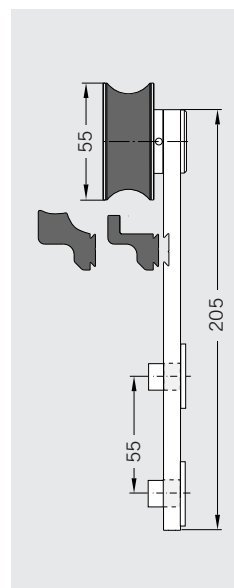
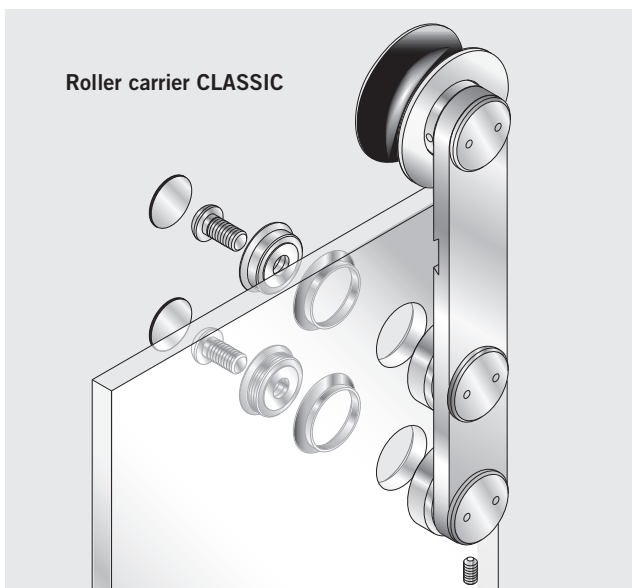
Ordering information

Roller carrier TREND

incl. anti-jump device
(both variants)

only lug with roller

Art. No. 8.29.414.700.99



Roller carrier CLASSIC

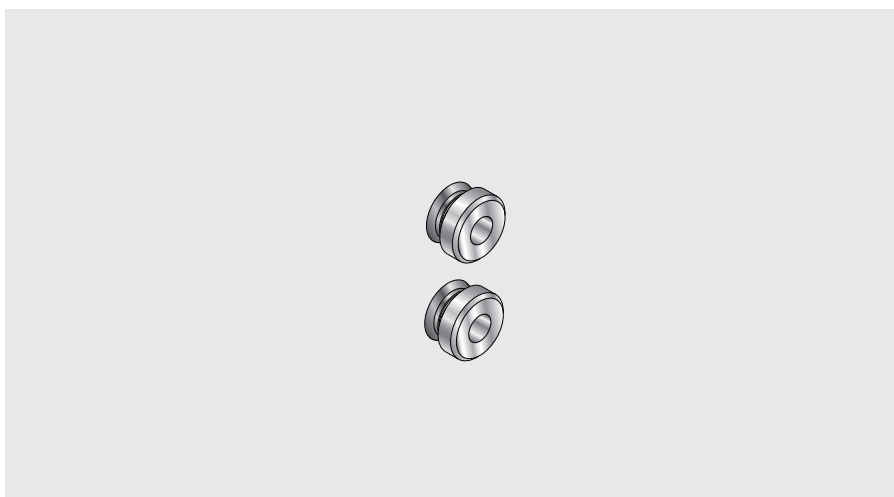
incl. anti-jump device
(both variants)

only lug with roller

Art. No. 8.29.400.700.99

AISI 316L

Art. No. 8.29.401.700.99



**2 piece single-point fixing
for roller carrier:**

countersunk 8-12 mm glass

Art. No. 8.29.430.700.99

AISI 316L

Art. No. 8.29.431.700.99

clamping disc 8-12mm glass

Art. No. 8.29.432.700.99

AISI 316L

Art. No. 8.29.433.700.99

countersunk

for 13.5 - 17.5 mm glass

Art. No. 8.29.435.700.99

countersunk f. 19 mm glass

Art. No. 8.29.437.700.99

Roller carrier single point fixings for timber doors

Insert solid track rail

Insert sliding track tube

Ordering information

2 pieces single point fixing for roller carrier:
TREND / CLASSIC
 countersunk or clamping disc

see table

For solid track rail	X	Z	max. door weight	Single-point fixing (2 pcs) for roller carrier		Flange fixing track to wall see page 27	Single-point fixing fixed for track to glass 10/12 mm, see page 26		Single-point fixing cent-ring for track to glass 10/12 mm, see page 26	
	mm	mm	kg	Art. No.		Art. No.	Art. No.		Art. No.	
				countersunk	clamping disc		countersunk	clamping disc	countersunk	clamping disc
	20 - 30	18.5	120	29.510	29.520	21.346	29.460	29.465	29.462	29.467
	35 - 40	35	100			21.412	29.530	29.535	29.531	29.536

For sliding track tube	X	Z	max. door weight	Single-point fixing (2 pcs) for roller carrier		Clamp fixing for track to wall see page 29	Clamp fixing for track to glass see page 29	
	mm	mm	kg	Art. No.		Art. No.	Art. No.	
				countersunk	clamping disc		countersunk	clamping disc
	20 - 30	18.5	120	29.510	29.520	21.153	29.171	29.172
	35 - 40	35	100			21.157	29.518	29.519

Solid track rail Supply and installation

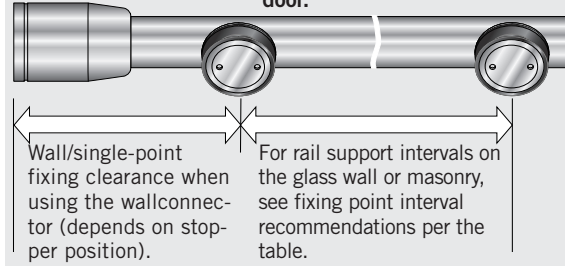
Track supply and installation

The track rail for the sliding door is pre-fabricated according to the customer's drawing and supplied together with the glass or wall brackets ordered for the application concerned.

Fixing screws for wall installation by others

Of decisive importance for pre-fabrication and fixing to glass partitions is that the mounting points coincide with the holes drilled in the glass. The lengthwise tolerances should not be greater than +/- 0.3 mm.

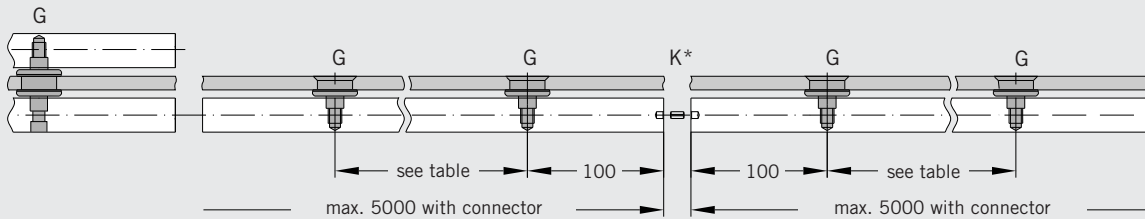
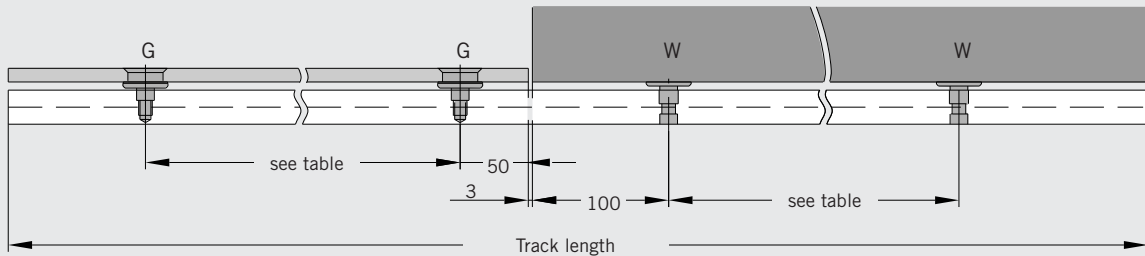
Caution! Ensure that the stops/single-point fixings are positioned at locations appropriate to the width of the door.



Required dimensions for the track production

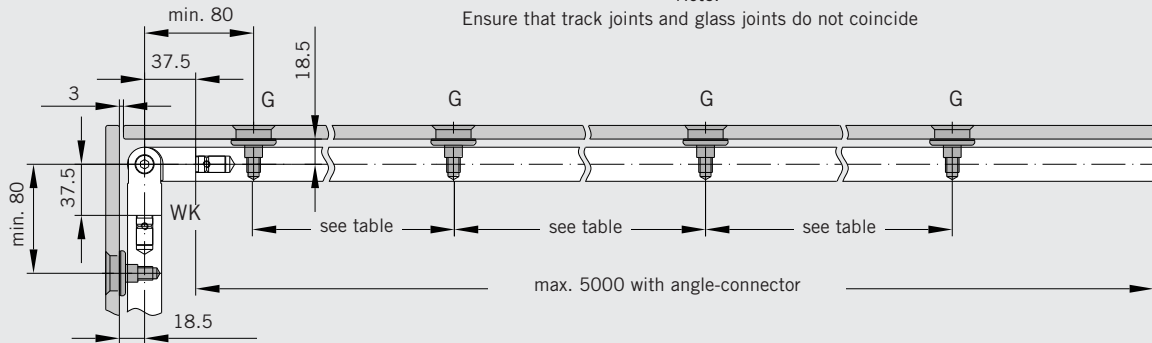
G = Fixing point to glass
W = Fixing point to wall

K = Connection
WK = Angle-connection



* Note!

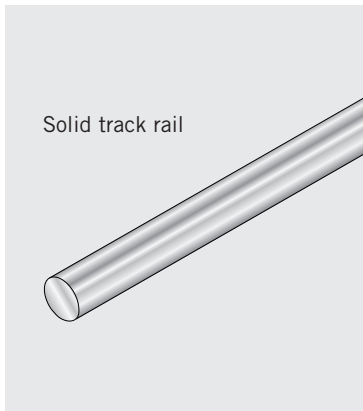
Ensure that track joints and glass joints do not coincide



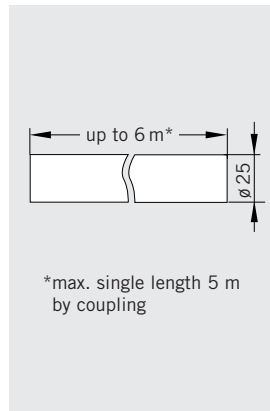
Recommended distance of the track fixing points

Door height in mm	Door width in mm																										
	700			800			900			1000			1100			1200			1300			1400					
	Glass thckn. mm			Glass thckn. mm			Glass thckn. mm			Glass thckn. mm			Glass thckn. mm			Glass thckn. mm			Glass thckn. mm			Glass thckn. mm					
	8	10	12	8	10	12	8	10	12	8	10	12	8	10	12	8	10	12	8	10	12	8	10	12	8	10	12
1900	770	710	670	770	720	670	770	710	670	760	710	670	760	700	660	750	700	650	740	690	650	730	680	640	730	680	640
2000	750	700	650	750	700	660	750	690	650	740	690	650	740	680	640	730	680	640	720	670	630	720	660	630	720	660	630
2100	730	680	640	730	680	640	730	680	640	730	670	630	720	670	630	710	660	620	710	660	620	700	650	610	700	650	610
2200	710	660	620	710	660	620	710	660	620	710	660	620	700	650	610	700	650	610	690	640	600	680	630	600	680	630	600
2300	690	640	610	700	650	610	700	650	610	690	640	600	690	640	600	680	630	600	680	630	590	670	620	580	670	620	580
2400	680	630	590	680	630	590	680	630	590	680	630	590	670	620	590	670	620	580	660	610	580	660	610	580	660	610	-
2500	660	610	580	670	620	580	670	620	580	660	620	580	660	610	580	650	610	570	650	600	570	640	600	570	640	600	-

Components for sliding door system Solid track rail and accessories

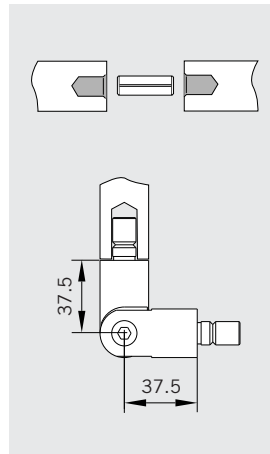
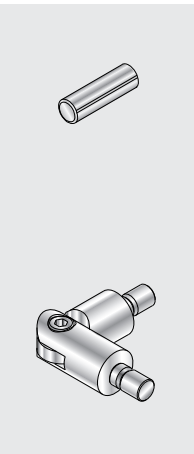
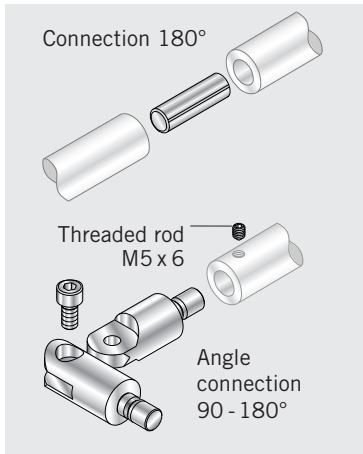


The track rail is prefabricated per customer specifications/drawing with all the necessary drill holes already provided.



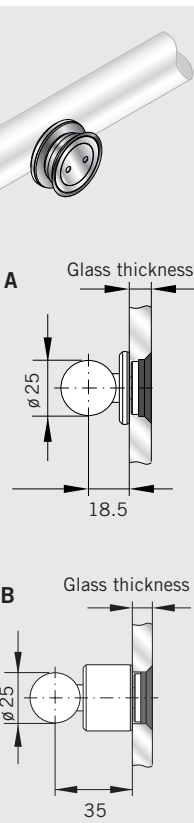
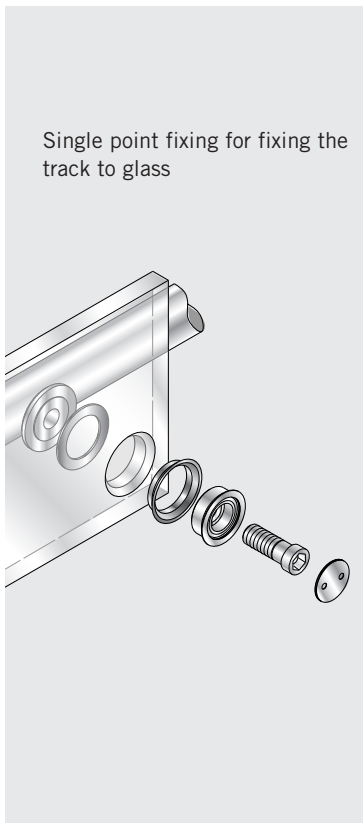
Ordering information

Track, drilled
 for fixing on glass
 up to 6 m
 Art. No. 8.21.405.700.99
 AISI 316L
 Art. No. 8.21.456.700.99
 for fixing on wall
 up to 6 m
 Art. No. 8.21.406.700.99
 AISI 316L
 Art. No. 8.21.457.700.99



Connectors
 incl. frontal preparation in tracks,
 for tracks 180°
 Art. No. 8.21.404.700.99

offset
 for tracks 90 - 180°
 Art. No. 8.21.442.700.99



A for *X = 20 - 30 mm
Single-point fixing, countersunk, fixed
 for 10 and 12 mm glass
 Art. No. 8.29.460.700.99
 AISI 316L
 Art. No. 8.29.461.700.99
 for 13.5 - 15.5 mm glass
 Art. No. 8.29.450.700.99
 for 17.5 mm glass
 Art. No. 8.29.451.700.99
clamping disc, fixed
 for 10/12 mm Glas
 Art. No. 8.29.465.700.99
countersunk, centring
 for 10 and 12 mm glass
 Art. No. 8.29.462.700.99
 AISI 316L
 Art. No. 8.29.463.700.99
 for 13.5 - 15.5 mm glass
 Art. No. 8.29.455.700.99
 for 17.5 mm glass
 Art. No. 8.29.456.700.99
clamping disc, centring
 for 10/12 mm glass
 Art. No. 8.29.467.700.99
 AISI 316L
 Art. No. 8.29.468.700.99

B for *X = 35 - 40 mm
Single-point fixing, countersunk, fixed
 for 10 and 12 mm glass
 Art. No. 8.29.530.700.99

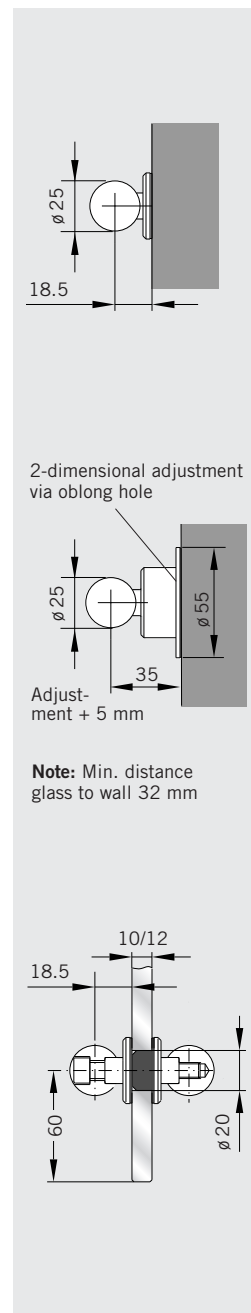
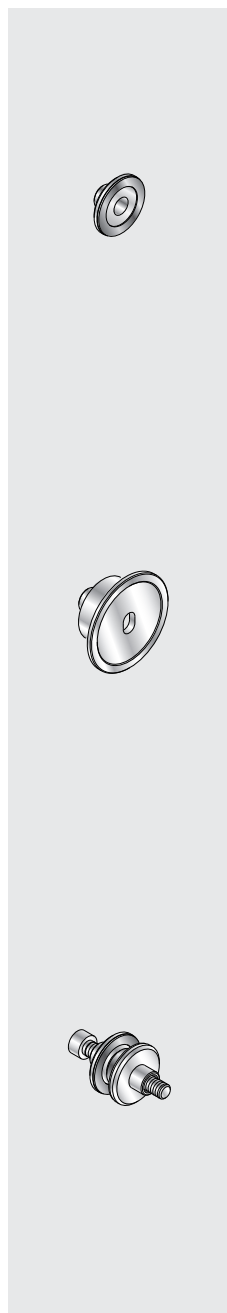
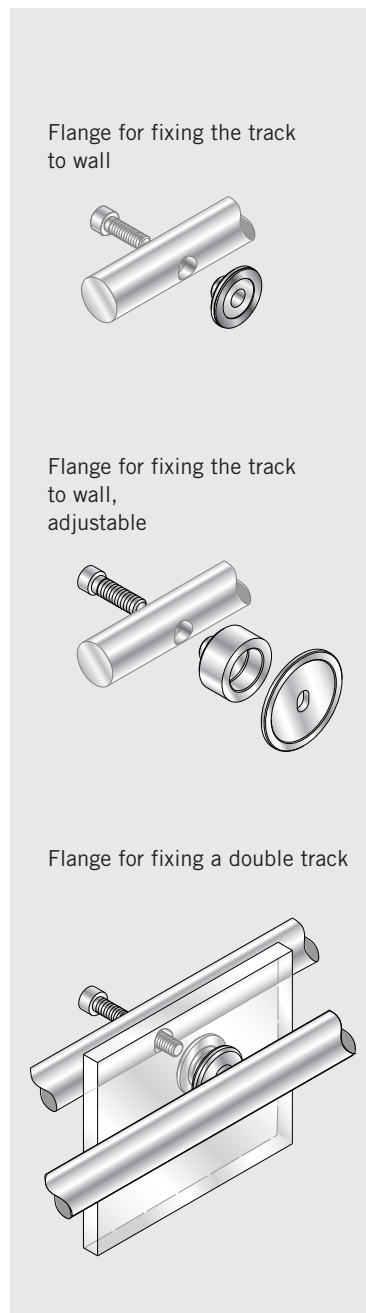
clamping disc, fixed
 for 10/12 mm Glas
 Art. No. 8.29.535.700.99
countersunk, centring
 for 10 and 12 mm glass
 Art. No. 8.29.531.700.99

clamping disc, centring
 for 10/12 mm glass
 Art. No. 8.29.536.700.99

Recommended distance of the fixing points see page 25

*for X see page 24

Components for sliding door system Solid track rail and accessories



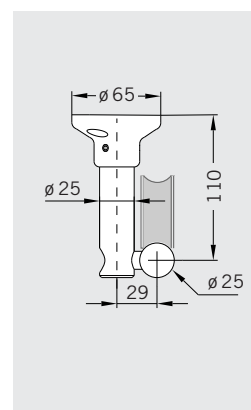
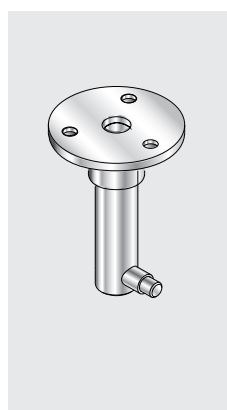
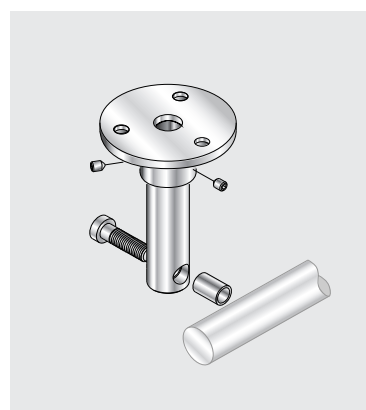
Ordering information

Flange for fixing the track to wall
 Art. No. 8.21.346.700.99
 AISI 316L
 Art. No. 8.21.347.700.99

Flange for fixing the track to wall, adjustable
 Art. No. 8.21.412.700.99

Fixing for double track
 Art. No. 8.21.170.700.99

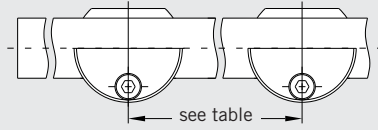
Ceiling retainer for track carrying function
 Art. No. 8.21.315.700.99



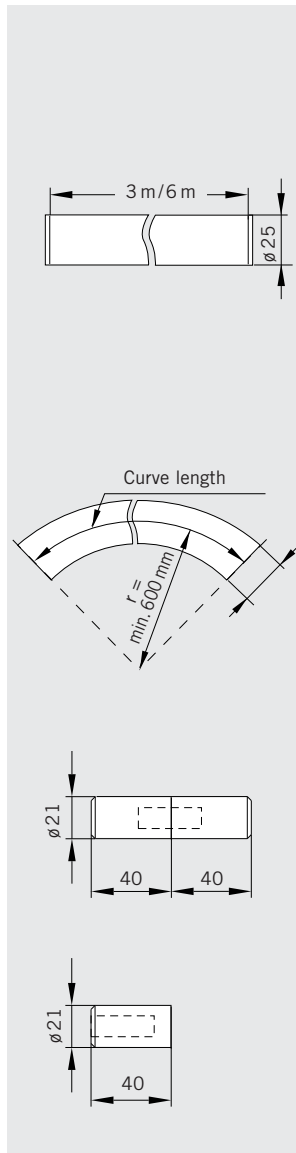
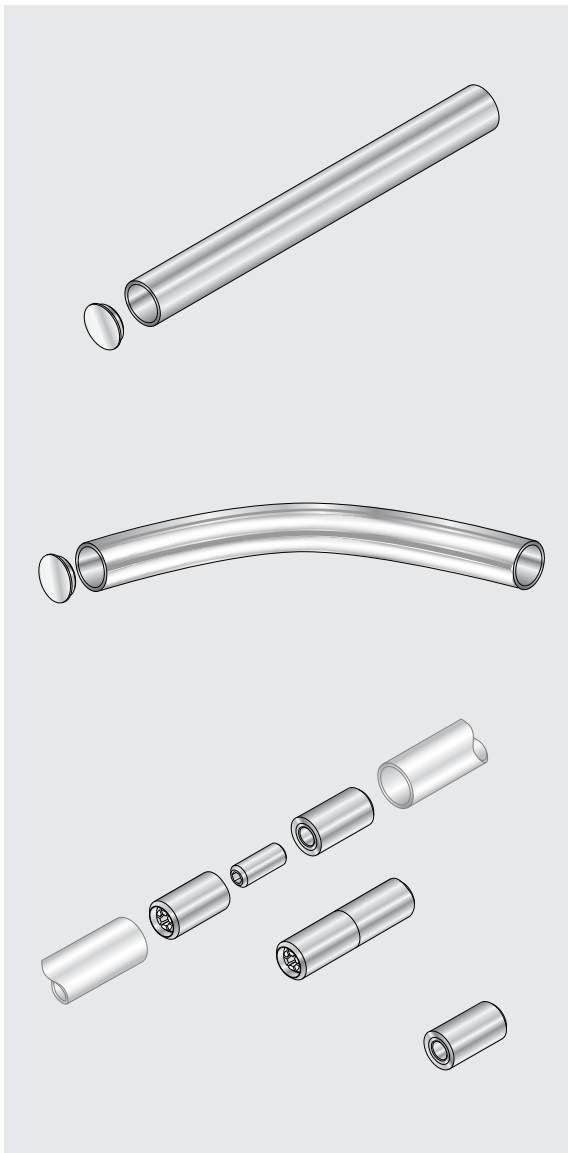
Recommended distance of the fixing points see page 25

Components for sliding door system Tube and accessories

Recommended distance of the track fixing points



Door height in mm	Door width in mm																										
	700			800			900			1000			1100			1200			1300			1400					
	Glass thickn. mm			Glass thickn. mm			Glass thickn. mm			Glass thickn. mm			Glass thickn. mm			Glass thickn. mm			Glass thickn. mm			Glass thickn. mm					
	8	10	12	8	10	12	8	10	12	8	10	12	8	10	12	8	10	12	8	10	12	8	10	12	8	10	12
1900	350	350	350	400	400	400	450	450	450	500	500	500	550	550	530	600	550	520	590	550	510	580	540	510	580	540	510
2000	350	350	350	400	400	400	450	450	450	500	500	500	550	540	510	580	540	510	570	530	500	570	530	500	570	530	500
2100	350	350	350	400	400	400	450	450	450	500	500	500	550	530	500	570	530	500	560	520	490	560	520	490	560	520	490
2200	350	350	350	400	400	400	450	450	450	500	500	490	550	520	490	550	510	480	550	510	480	540	500	470	540	500	470
2300	350	350	350	400	400	400	450	450	450	500	500	480	550	510	480	540	500	470	540	500	470	530	490	460	530	490	460
2400	350	350	350	400	400	400	450	450	450	500	500	470	530	500	470	530	490	460	530	490	460	520	480	450	520	480	450
2500	350	350	350	400	400	400	450	450	450	500	490	460	520	490	460	520	480	450	520	480	450	510	470	440	510	470	440



Ordering information

Sliding track tube

incl. end plugs
 stock length 3 m
 Art. No. 8.21.527.700.99
 AISI 316L
 Art. No. 8.21.530.700.99
 Fixed length up to 6 m
 Art. No. 8.21.436.700.99
 AISI 316L
 Art. No. 8.21.532.700.99

Sliding track tube

bent, incl. end plugs
 max. curve length 2.6 m
 Art. No. 8.21.409.700.99
 max. curve length 5.6 m
 Art. No. 8.21.413.700.99

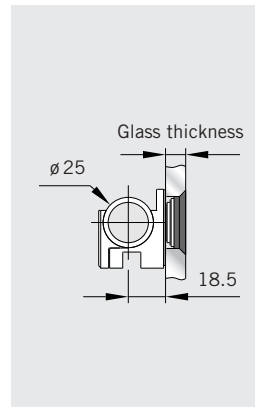
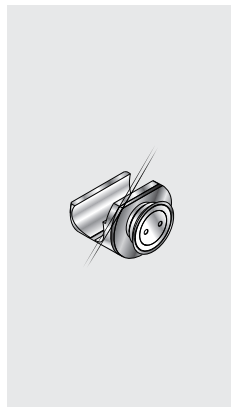
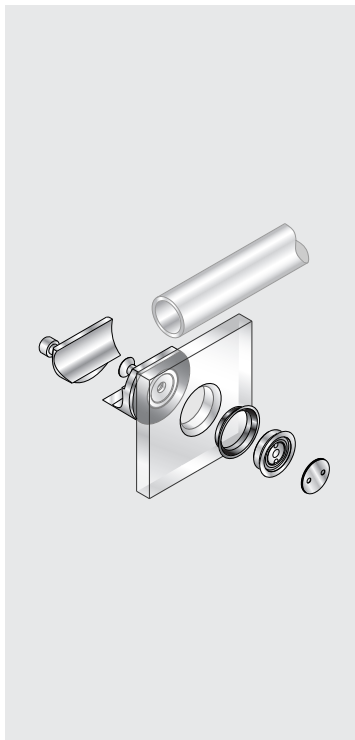
Angle connection

for sliding track tube
 Art. No. 8.29.506.700.99

Thread insert

for sliding track tube
 Art. No. 8.29.505.700.99

Components for sliding door system Tube and accessories



Ordering information

Clamp fixing

for sliding track tube to glass, single-point fixing countersunk for 10, 12 and 13.5 mm glass
Art. No. 8.29.171.700.99
AISI 316L

Art. No. 8.29.181.700.99

single-point fixing, clamping disc for 10, 12 and 13.5 mm glass
Art. No. 8.29.172.700.99
AISI 316L

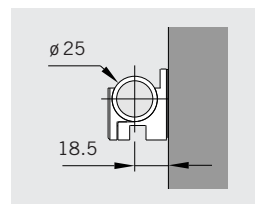
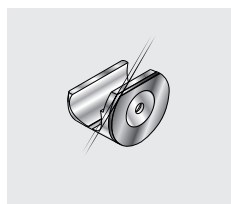
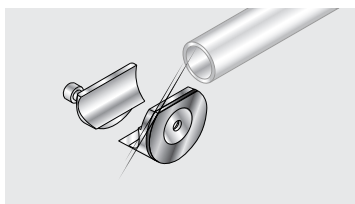
Art. No. 8.29.182.700.99

16 mm extended single-point fixing, countersunk for 10, 12 and 13.5 mm glass
Art. No. 8.29.518.700.99
AISI 316L

Art. No. 8.29.183.700.99

single-point fixing, clamping disc for 10, 12 and 13.5 mm glass
Art. No. 8.29.174.700.99
AISI 316L

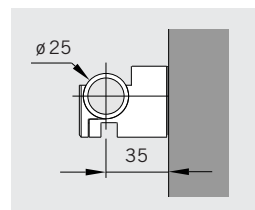
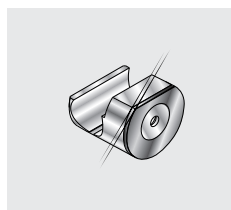
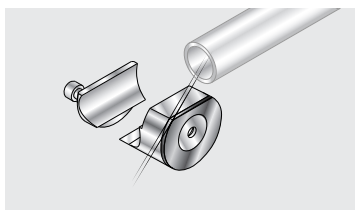
Art. No. 8.29.184.700.99



Clamp fixing

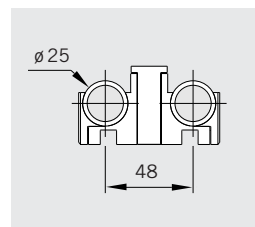
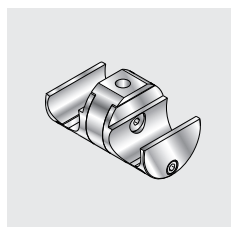
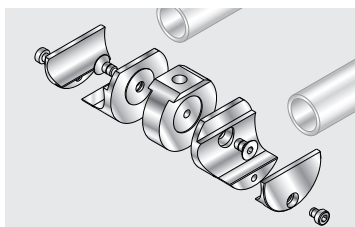
for sliding track tube to wall
Art. No. 8.21.153.700.99
AISI 316L

Art. No. 8.21.163.700.99



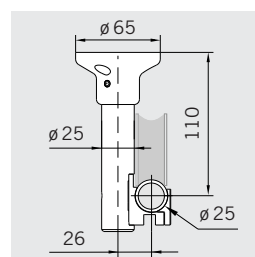
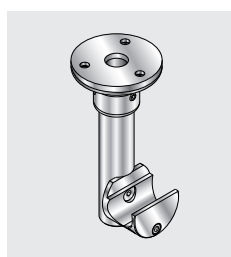
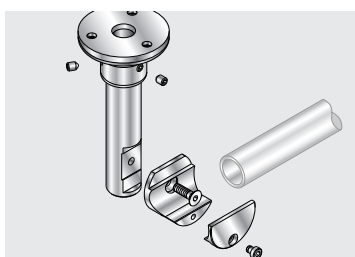
Clamp fixing

for sliding track tube to wall 16 mm extended
Art. No. 8.21.157.700.99



Clamp fixing

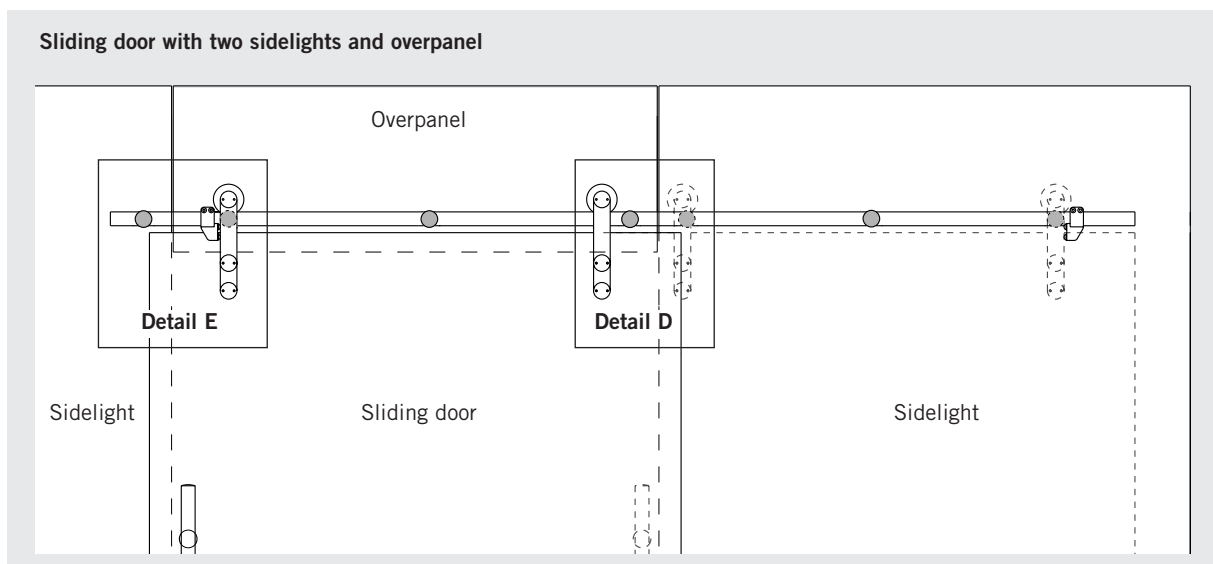
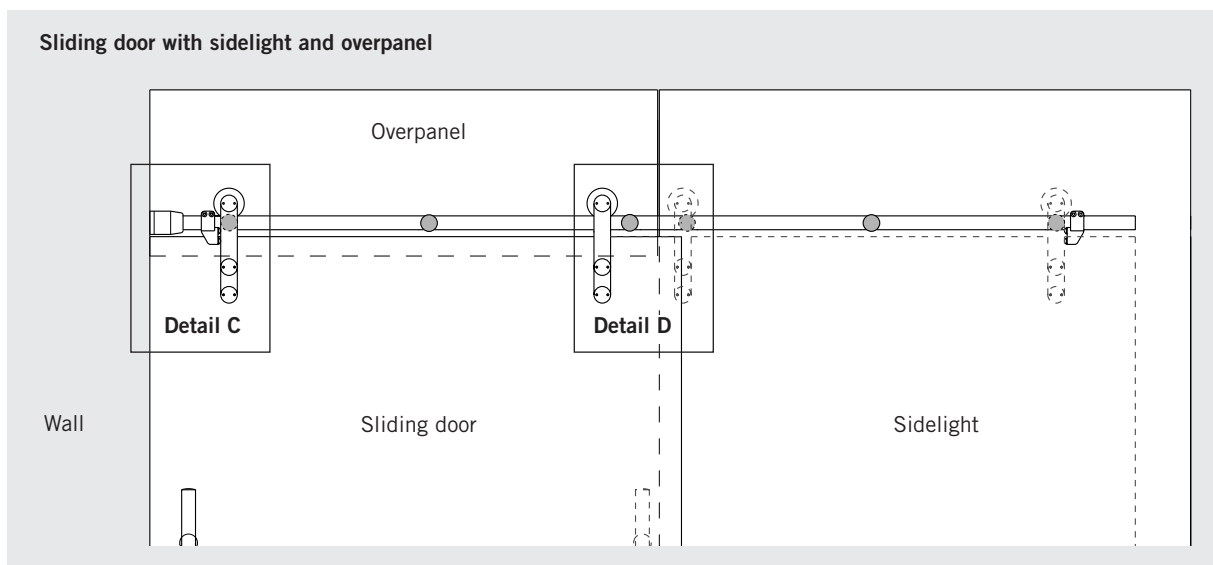
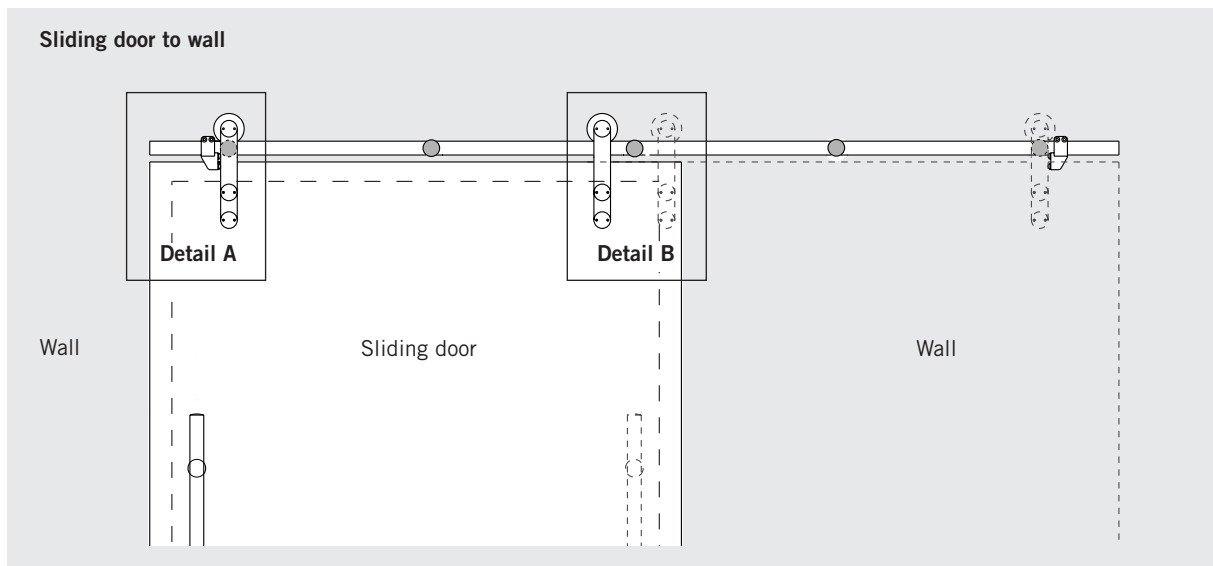
to fix the sliding track tube for double panelled sliding doors
Art. No. 8.21.154.700.99



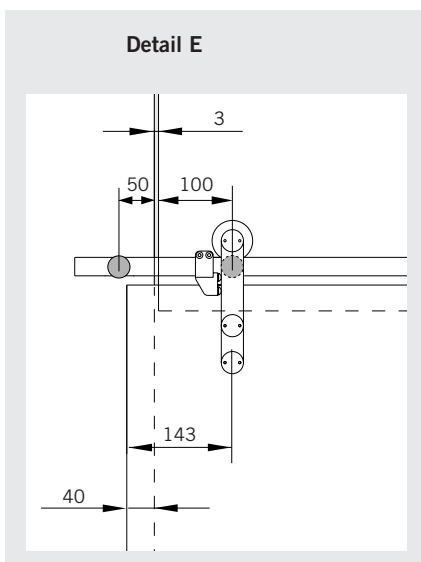
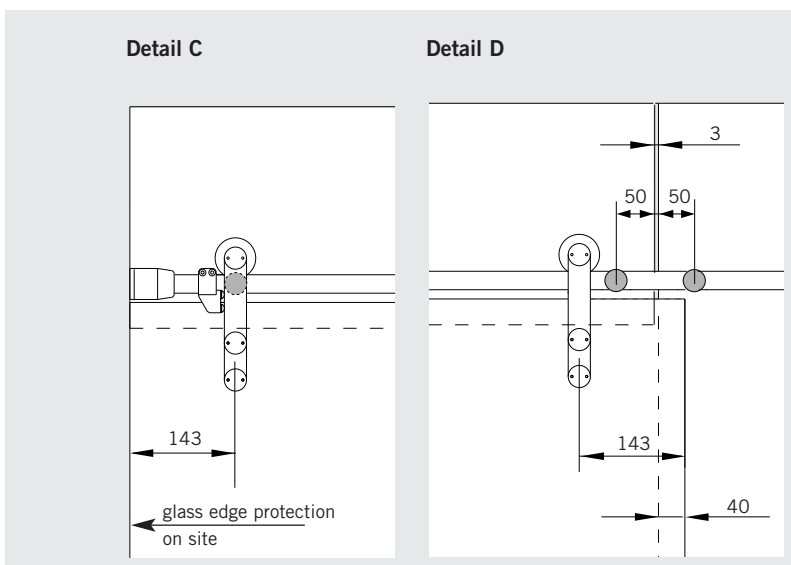
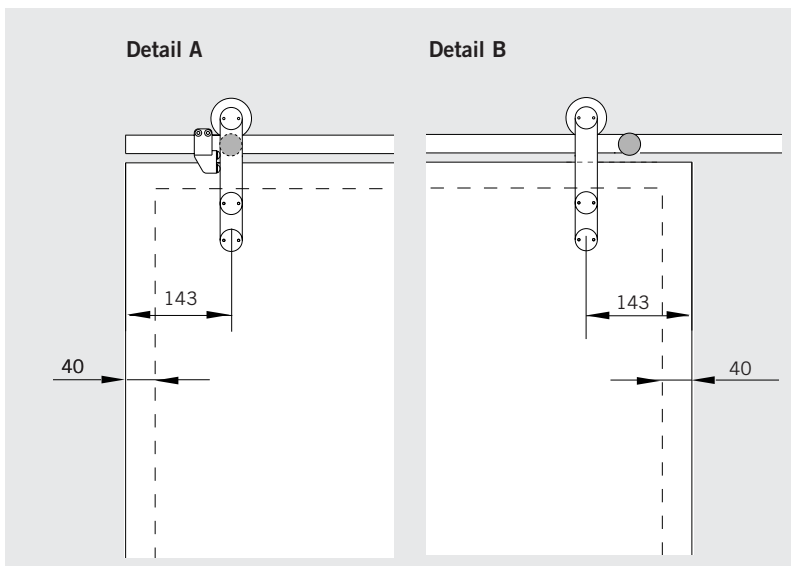
Ceiling retainer

for sliding track tube, carrying function
Art. No. 8.21.316.700.99

Glass preparation for sliding door system



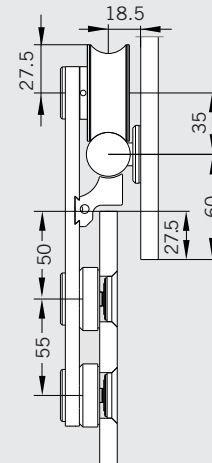
Glass preparation for sliding door system



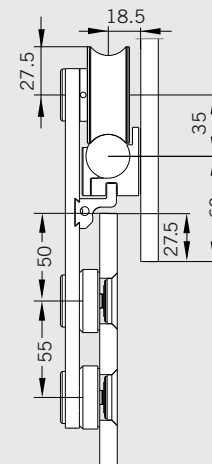
Dimensional data should be regarded exclusively as recommended values. Please remember when designing your system that the positions of the stops and point fixings must not vertically coincide.

For spacing/interval recommendations when drilling the track holes, and for requisite dimensions for fixing the track rail, please refer to the table entitled "Recommended distance of the track fixing points".

Sliding door with solid track rail

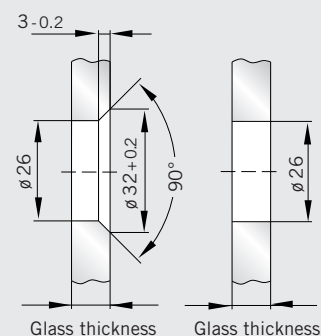


Sliding door with tube and clamp fixing

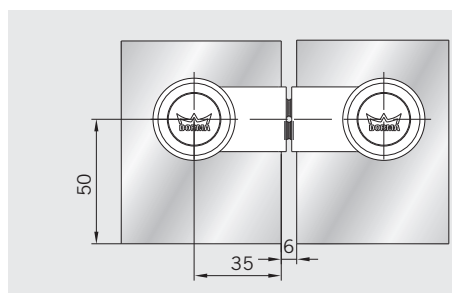
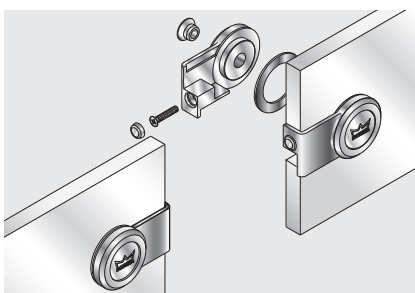
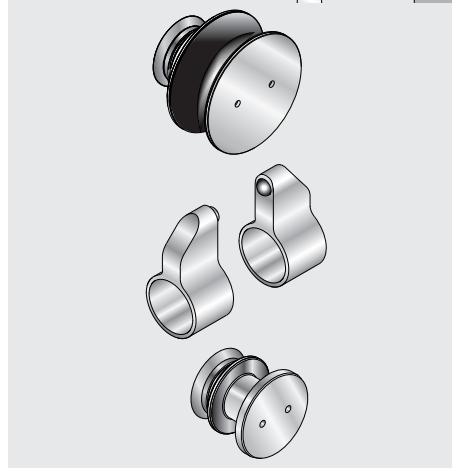
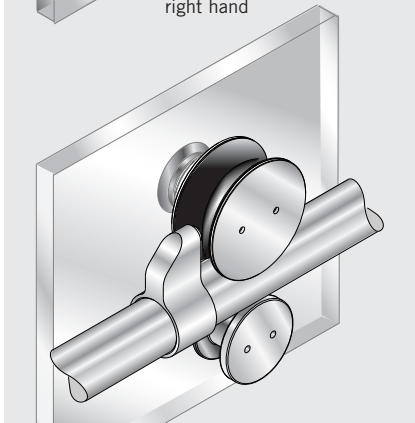
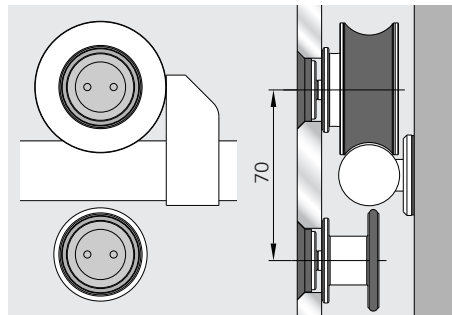
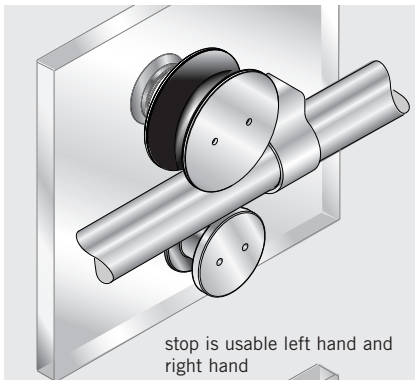
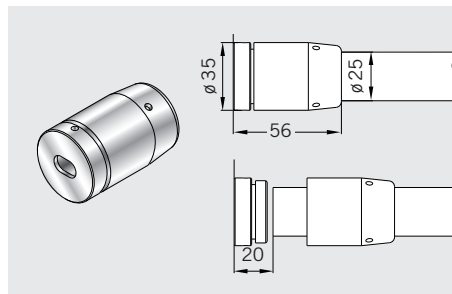
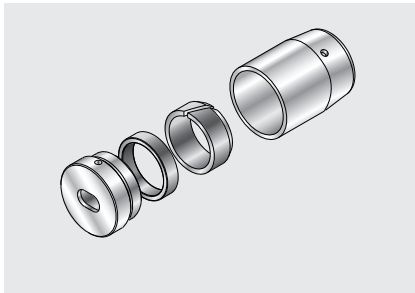
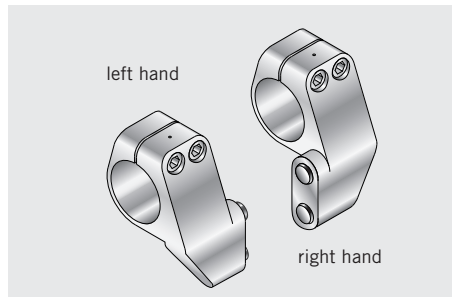
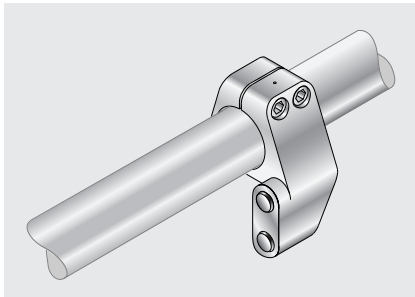


Countersunk bore for countersunk single-point fixings

Cylindrical bore for clamping disc single-point fixings



Components for sliding door system



Ordering information

Door stop

left hand

Art. No. 8.29.425.700.99

AISI 316L

Art. No. 8.29.427.700.99

right hand

Art. No. 8.29.426.700.99

AISI 316L

Art. No. 8.29.428.700.99

Wall fixing for tube /solid track rail

Art. No. 8.29.445.700.99

AISI 316L

Art. No. 8.29.446.700.99

Roller to glass

for 8 - 12 mm glass, countersunk

Art. No. 8.29.494.700.99

clamping disc

Art. No. 8.29.495.700.99

Door stop

for roller to glass

Art. No. 8.29.493.700.99

Anti-jump device

for roller to glass for 8 - 12 mm glass, countersunk

Art. No. 8.29.497.700.99

clamping disc

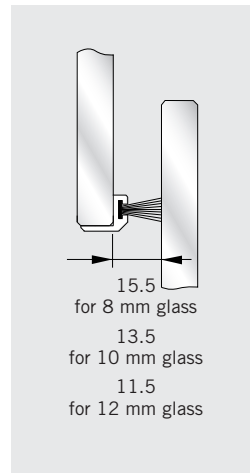
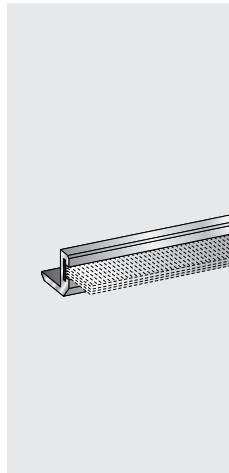
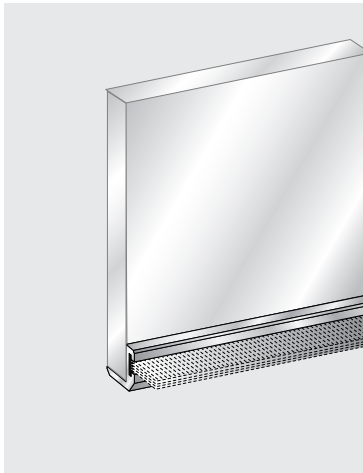
Art. No. 8.29.498.700.99

Door steady,

to prevent glass edges of double sliding doors bumping into each other

Art. No. 8.29.420.700.99

Components for sliding door system



Ordering information

Aluminium brush profile

similar satin stainless steel

for 8 mm glass

stock length 3 m

Art. No. 8.07.402.113.99

fixed length up to 6 m

Art. No. 8.07.403.113.99

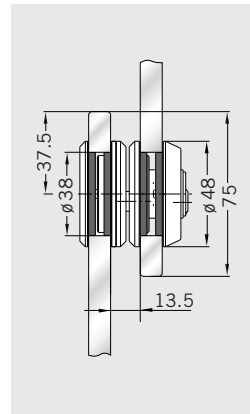
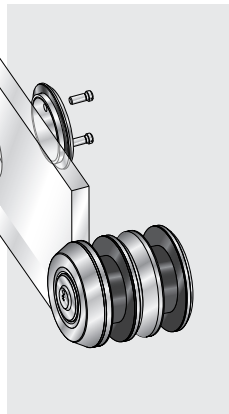
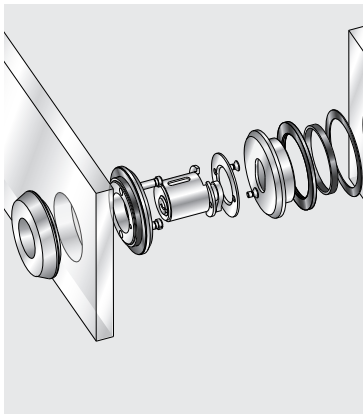
for 10/12 mm glass

stock length 3 m

Art. No. 8.07.400.113.99

fixed length up to 6 m

Art. No. 8.07.401.113.99

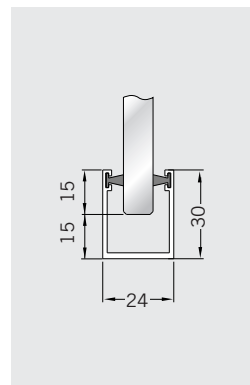
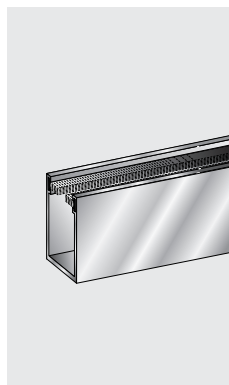
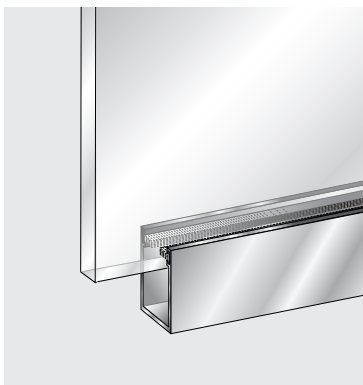


Sliding door lock with ratchet brace

for 8/10/12 mm glass

Art. No. 8.21.446.700.99

AISI 316L



Guide rail with brush seals

applicable for
8/10/12 mm glass

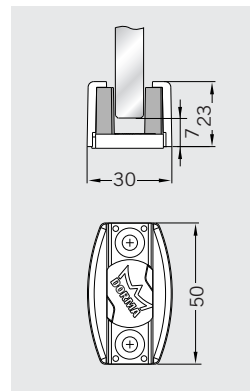
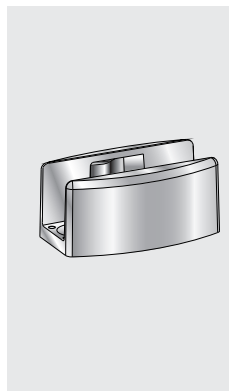
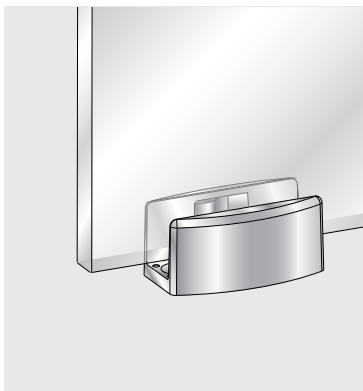
aluminium mill finished

fixed length up to 6 m

Art. No. 8.21.431.100.99

stock length 3 m

Art. No. 8.21.432.100.99



Floor guide

clamping disc,

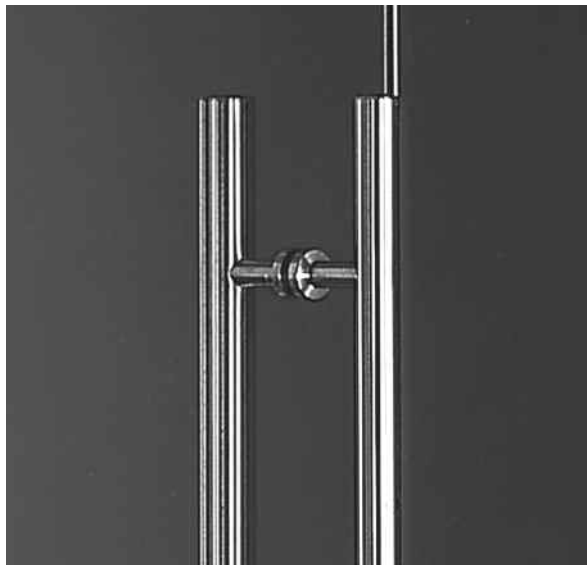
applicable for

8/10/12/13.5 mm glass

Art. No. 8.07.326.000.99

Pull handles and door knobs

The pull handle/knob system is designed for glass of 8, 10 and 12 mm thickness. The pull handles can be fixed to both sliding and pivoting (swing) doors on one face using the appropriate connectors or on both faces by through-bolting (back-to-back arrangement). The single-point fixings and through bolts are included as standard equipment in the scope of supply. The pull handles can be fitted horizontally, vertically or in a handrail arrangement.



Ordering information

Pull handles with single-point fixings, countersunk for 8/10/12 mm glass

Pull handle 350 mm with 2 fixings
Art. No. 8.29.268.700.99
AISI 316L
Art. No. 8.29.269.700.99

Pull handle 720 mm with 2 fixings
Art. No. 8.29.271.700.99
AISI 316L
Art. No. 8.29.272.700.99

Pull handle 1240 mm with 3 fixings
Art. No. 8.29.274.700.99
AISI 316L
Art. No. 8.29.275.700.99

Pull handle 1760 mm with 4 fixings
Art. No. 8.29.277.700.99
AISI 316L
Art. No. 8.29.278.700.99

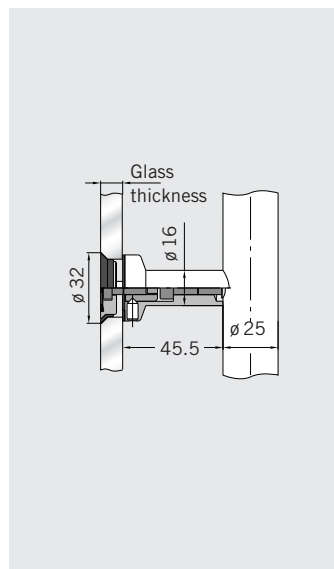
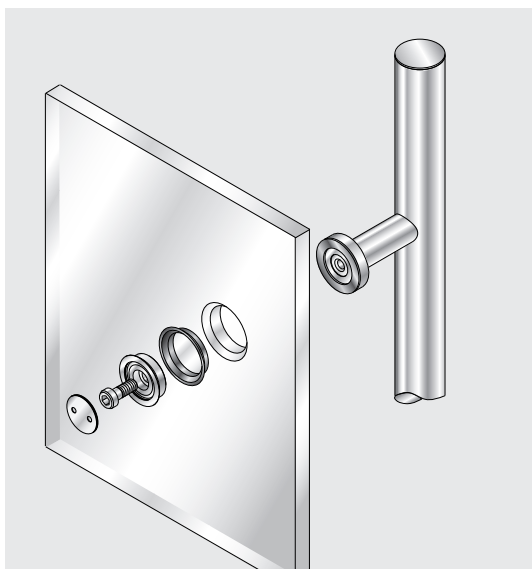
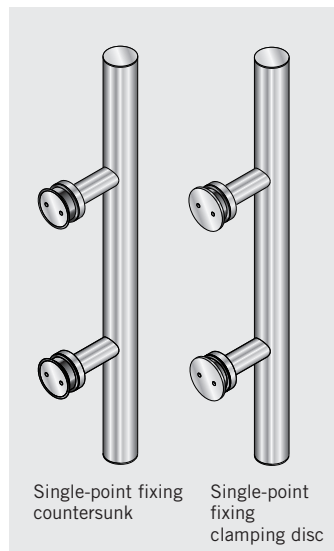
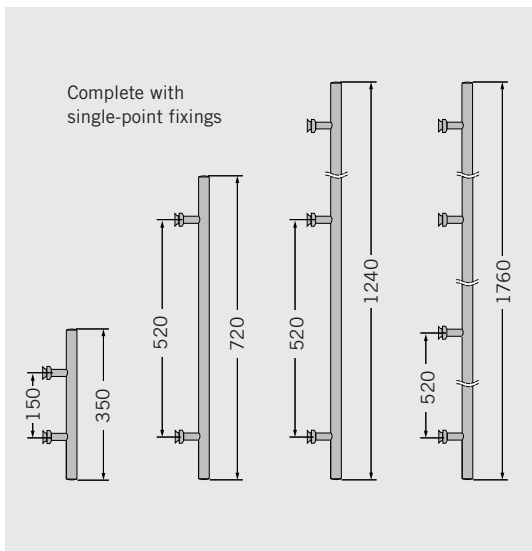
Pull handles with clamping disc single-point fixings for 8/10/12 mm glass

Pull handle 350 mm with 2 fixings
Art. No. 8.21.240.700.99
AISI 316L
Art. No. 8.21.280.700.99

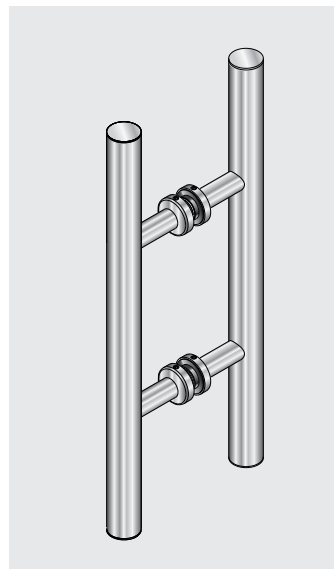
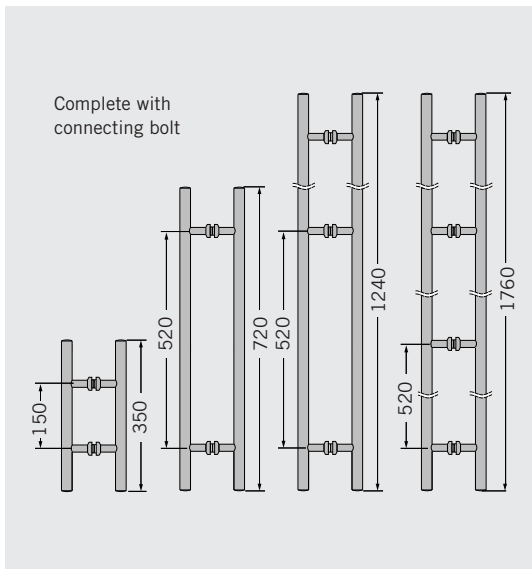
Pull handle 720 mm with 2 fixings
Art. No. 8.21.241.700.99
AISI 316L
Art. No. 8.21.281.700.99

Pull handle 1240 mm with 3 fixings
Art. No. 8.21.242.700.99
AISI 316L
Art. No. 8.21.282.700.99

Pull handle 1760 mm with 4 fixings
Art. No. 8.21.243.700.99
AISI 316L
Art. No. 8.21.283.700.99



Pull handles and door knobs



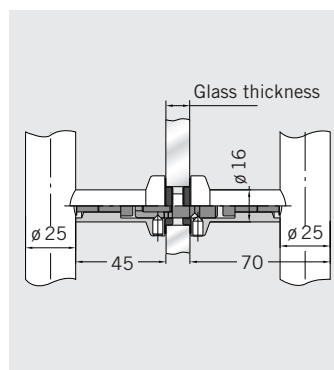
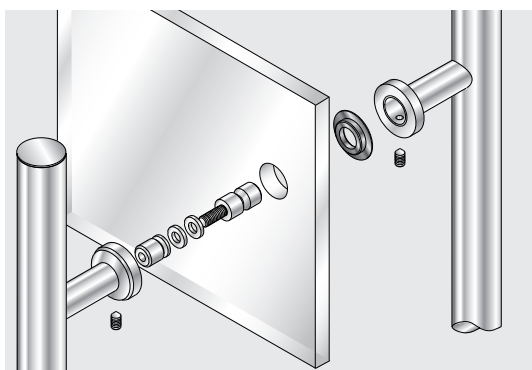
Ordering information

Pair of pull handles
incl. connecting bolt
for 8/10/12 mm glass

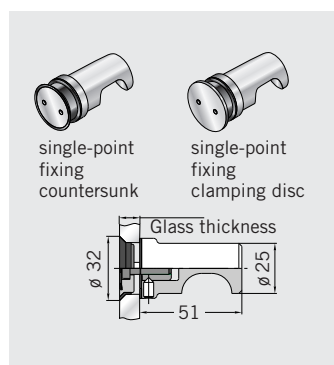
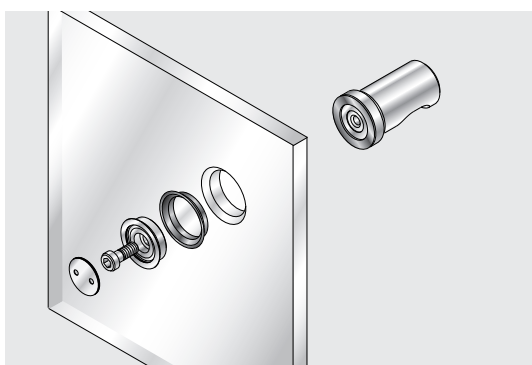
Pair of pull handles
350 mm, with 2 fixings
Art. No. 8.21.267.700.99
AISI 316L
Art. No. 8.21.247.700.99

Pair of pull handles
720 mm, with 2 fixings
Art. No. 8.21.270.700.99
AISI 316L
Art. No. 8.21.250.700.99

Pair of pull handles
1240 mm, with 3 fixings
Art. No. 8.21.273.700.99
AISI 316L
Art. No. 8.21.253.700.99



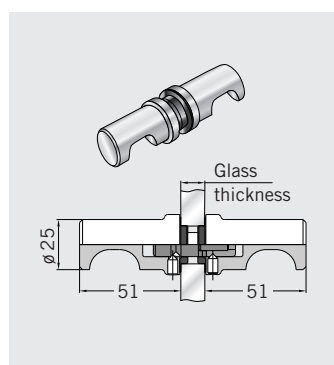
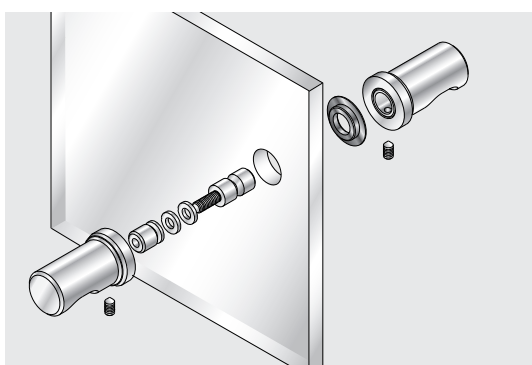
Pair of pull handles
1760 mm, with 4 fixings
Art. No. 8.21.276.700.99
AISI 316L
Art. No. 8.21.256.700.99



Door knob one side fixing
für 8/10/12 mm Glas

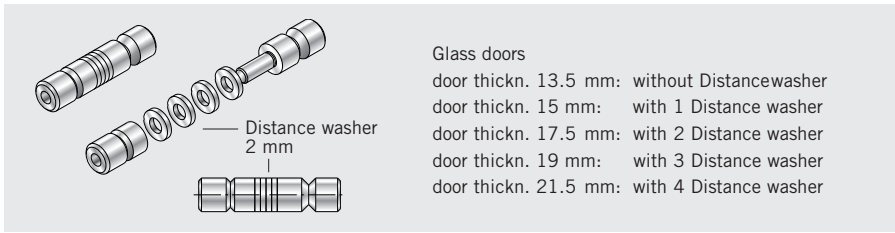
Door knob with single-point
fixing, countersunk
Art. No. 8.21.422.700.99

Door knob with clamping
disc single-point fixings
Art. No. 8.21.426.700.99



Door knob back-to-back
for 8/10/12 mm glass
Art. No. 8.21.423.700.99

Spacing adjustment for pull handles and door knobs



Glass doors
 door thickn. 13.5 mm: without Distancewasher
 door thickn. 15 mm: with 1 Distance washer
 door thickn. 17.5 mm: with 2 Distance washer
 door thickn. 19 mm: with 3 Distance washer
 door thickn. 21.5 mm: with 4 Distance washer



Timber doors
 door thickn. 20 mm: without distance washer
 door thickn. 25 mm: with 1 distance washer
 door thickn. 30 mm: with 2 distance washer
 door thickn. 35 mm: with 3 distance washer
 door thickn. 40 mm: with 4 distance washer



Glass doors/timber doors
 door thickn. 15–21.5 mm: cylinder head screw M6x25
 door thickn. 25–30 mm: cylinder head screw M6x35
 door thickn. 35–40 mm: cylinder head screw M6x50

Ordering information

Conversion set 1 for glass doors, pair of pull handles/knob back-to-back

door thickn. 13.5–21.5 mm
 Art. No. 8.21.285.700.99

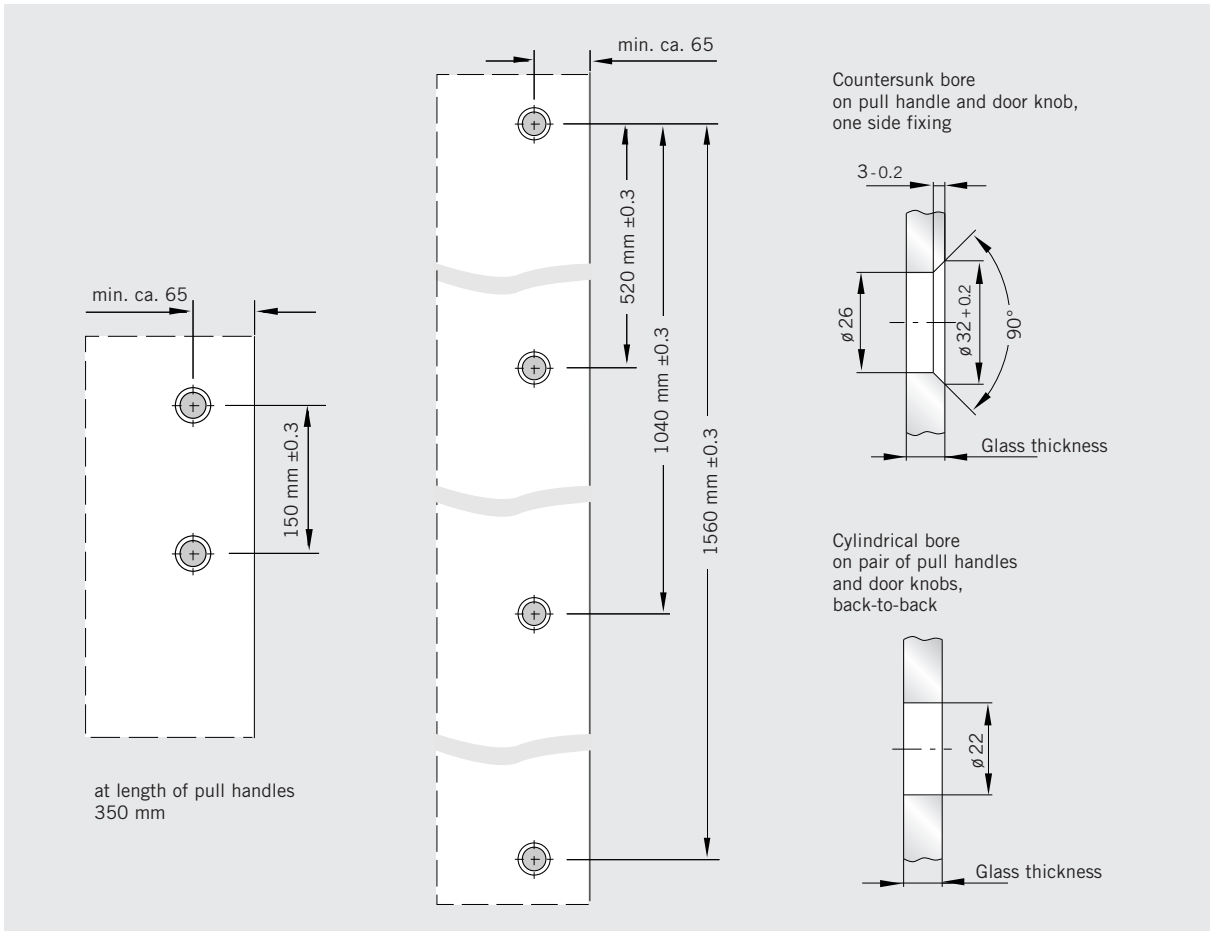
Conversion set 2 for timber doors, pair of pull handles/knob back-to-back

door thickn. 20–40 mm
 Art. No. 8.21.286.700.99

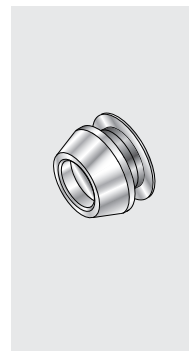
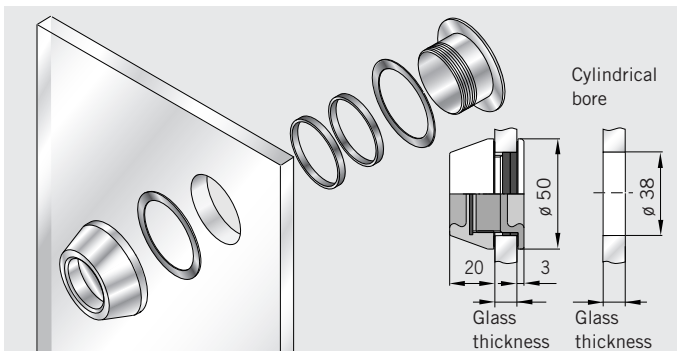
Conversion set 3 for glass/timber doors, pull handle/knob single-sided,

single-point fixing
 countersunk/clamping disc
 door thickn. 15–40 mm
 Art. No. 8.21.287.700.99

Glass preparation pull handles and door knobs

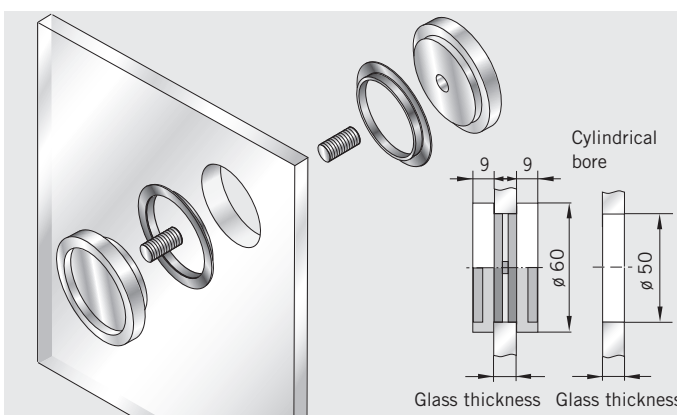


Recessed pull grip und ARCOS pull handle

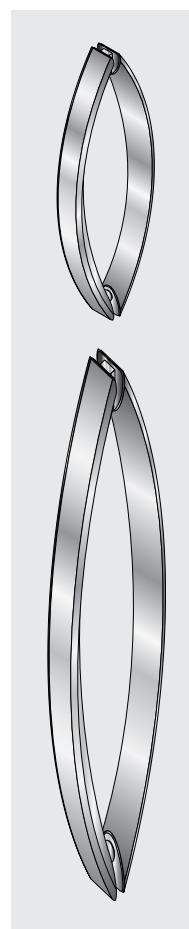
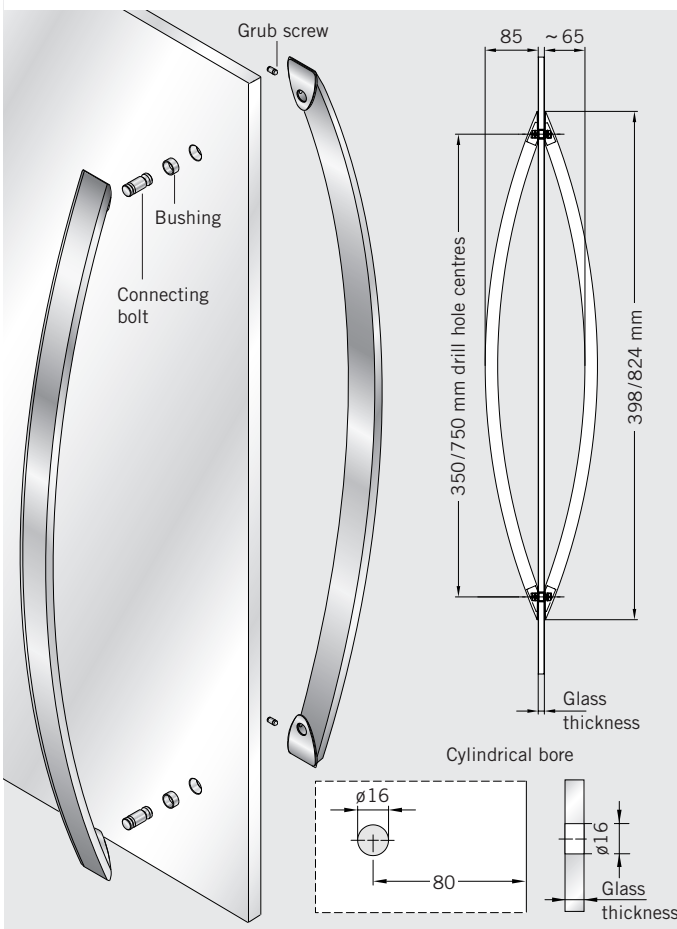


Ordering information

Recessed pull grip
 Ø 50 mm
 for 8/10/12 mm glass
 Art. No. 8.21.290.700.99



Recessed pull grip
 Ø 60 mm
 for 8/10/12 mm glass
 Art. No. 8.21.291.700.99



ARCOS pair of pull handle
 for 8/10/12 mm glass
 incl. connecting bolt

only in AISI 316L

Pull handle 350 mm
 with 2 fixings
 Art. No. 8.26.500.700.99

Pull handle 750 mm
 with 2 fixings
 Art. No. 8.26.510.700.99





MANET COMPACT Sets

Content

Pivoting door	40
Sliding door	44

MANET COMPACT Sets

The aesthetic elegance of the MANET COMPACT concept is also available in the form of standardised sets for simple, fast planning of the more popular system types with 8, 10 or 12 mm toughened safety glass (TSG). Optional accessories enable the individual sets to be semi-customised.

The system components offer numerous adjustment possibilities in order to ensure problem-free installation of whichever door type – sliding or swing, single action or double action – is required. Wall abutment profiles may need to be provided (by others) for fixing overpanels and sidelights.



Pivoting doors Set 1
page 41

Construction 1 (1 set) Construction 2 (1 set) Construction 3 (1 set) Construction 4 (1 set)

Construction 5 (2 sets) Construction 6 (2 sets) Construction 7 (2 sets) Construction 8 (2 sets)

Pivoting doors Set 2
page 42

Construction 9 (1 set) Construction 12 (1 set) Construction 18 (2 sets)

Pivoting doors Set 2 + 3
page 42/43

Construction 21 (each 1 set)

Pivoting doors Set 3
page 43

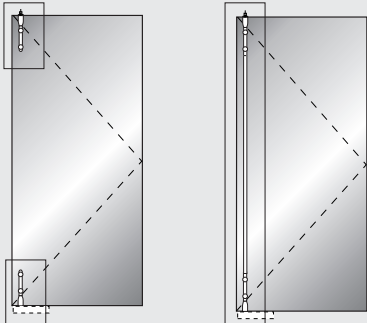
Construction 13 (1 set) Construction 15 (1 set) Construction 23 (2 sets)

Sliding doors Set 4/5/6
page 44 - 49

Set 4.1/4.2 Set 5.1/5.2 Set 6.1/6.2

Set 1

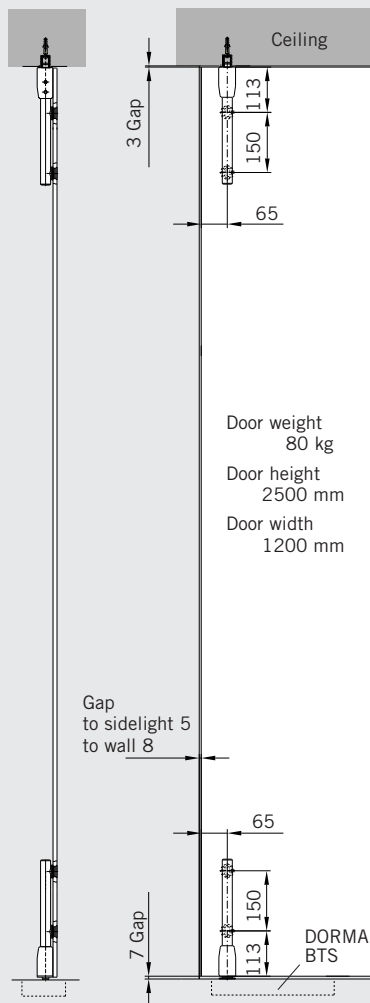
Pivoting door MANET COMPACT without overpanel for 10 - 12 mm glass



Set 1
with pivot rod pair
short type

Option:
Set 1, but with additional intermediate tube for pivot rod pair
in fixed length

Essential information: Panel height _____ mm
– 577 mm
= Length intermed. tube
_____ mm



For the requisite glass preparation
please see pages 20/21

Set 1 consisting of:
pivot rod pair top/bottom,
short type,
including:
4 Single-point fixings for pivot rods,
1 Pivot fitting top,
1 PT 25 pin, 15 mm Ø, with plug
1 Pivot fitting bottom
for DORMA BTS/floor pivot

Options for SET 1

Pull handles	Length 350 mm	Art. No. 8.29.268.700.99
	Length 720 mm	Art. No. 8.29.271.700.99
	Length 1240 mm	Art. No. 8.29.274.700.99
	Length 1760 mm	Art. No. 8.29.277.700.99
Pair of pull handles	Length 350 mm	Art. No. 8.21.267.700.99
	Length 720 mm	Art. No. 8.21.270.700.99
	Length 1240 mm	Art. No. 8.21.273.700.99
	Length 1760 mm	Art. No. 8.21.276.700.99
Stop for pivoting door with ceiling mounting		Art. No. 8.21.334.700.99
Ceiling fixing (bearing function)		Art. No. 8.29.337.700.99
Corner lock		Art. No. 8.21.448.700.99
Corner lock with rose on one lock side		Art. No. 8.21.449.700.99
Profile cylinder for corner lock 8.21.448/449.700.99		Art. No. 8.14.206.000.99
Eccentric bushing for corner lock 8.21.448/449.700.99		Art. No. 8.05.194.700.99
Floor pivot bearing		Art. No. 8.01.106.700.99
Assembling tool for MANET single-point fixings		Art. No. 8.21.134.000.99
5 pcs. clip-on cover f. single-point fixings		Art. No. 8.29.217.700.99
Sample cases MANET COMPACT for advice and presentation		Art. No. 8.21.994.700.99

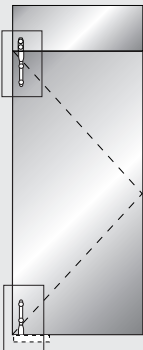
Ordering information

Art. No. 8.29.910.700.99

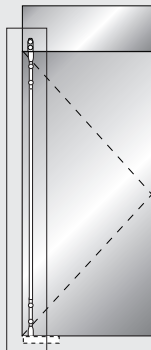
Art. No. 8.29.911.700.99

Set 2

Pivoting door MANET COMPACT with overpanel for 10 - 12 mm glass



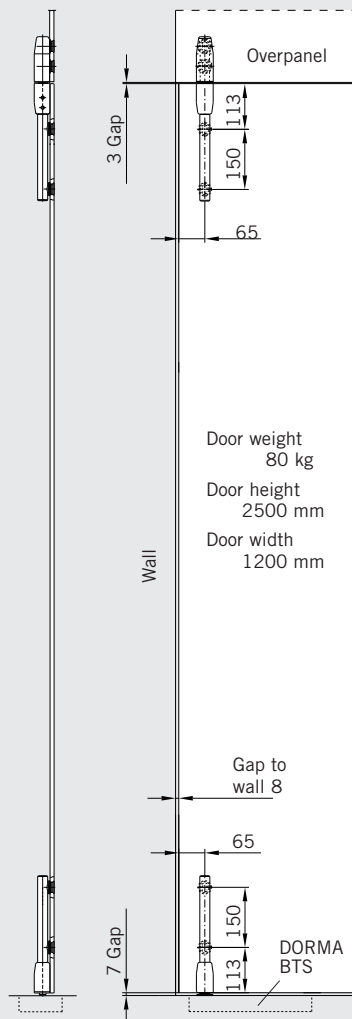
Set 2
with pivot rod pair
short type



Option:
Set 2, but with additional intermediate tube for pivot rod pair
in fixed length

Set 2 consisting of:
pivot rod pair top/bottom,
short type,
including:
4 Single-point fixings for pivot rods,
1 Pivot fitting top,
1 Pivot bearing location for overpanel
1 Pivot fitting bottom
for DORMA BTS/floor pivot

Essential information: Panel height _____ mm
- 577 mm
= Length intermed. tube
_____ mm



For the requisite glass preparation
please see pages 20/21

Options for SET 2

Pull handles	Length 350 mm
	Length 720 mm
	Length 1240 mm
	Length 1760 mm
Pair of pull handles	Length 350 mm
	Length 720 mm
	Length 1240 mm
	Length 1760 mm

Ceiling fixing (bearing function)
Stop at overpanel, (inside/outside) for 10 and 12 mm glass
Corner lock top/bottom
Corner lock top/bottom with rose on one lockside
Profile cylinder for corner lock 8.21.448/449.700.99
Eccentric bushing for corner lock 8.21.448/449.700.99
Overpanel-sidel. conn. for 10/12 mm glass
Overp.-sidel. conn. with stop inside for 10 and 12 mm glass
Overp.-sidel. conn. with stop outside for 10 mm glass
Overp.-sidel. conn. with stop outside for 12 mm glass
Floor pivot
Assembling tool for MANET-single-point f.
5 pcs. clip-on cover f. single-point fixings
Sample cases MANET COMPACT for advice and presentation

Ordering information

Art. No. 8.29.912.700.99

Art. No. 8.29.913.700.99

Art. No. 8.29.268.700.99
Art. No. 8.29.271.700.99
Art. No. 8.29.274.700.99
Art. No. 8.29.277.700.99
Art. No. 8.21.267.700.99
Art. No. 8.21.270.700.99
Art. No. 8.21.273.700.99
Art. No. 8.21.276.700.99

Art. No. 8.29.337.700.99
Art. No. 8.29.335.700.99

Art. No. 8.21.448.700.99

Art. No. 8.21.449.700.99

Art. No. 8.14.206.000.99

Art. No. 8.05.194.700.99

Art. No. 8.29.320.700.99

Art. No. 8.29.322.700.99

Art. No. 8.29.324.700.99

Art. No. 8.29.325.700.99

Art. No. 8.01.106.700.99

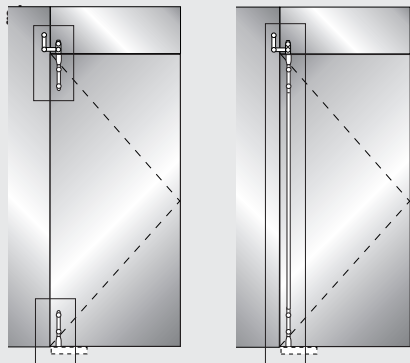
Art. No. 8.21.134.000.99

Art. No. 8.29.217.700.99

Art. No. 8.21.994.700.99

Set 3

Pivoting door MANET COMPACT with overpanel and sidelight for 10 - 12 mm

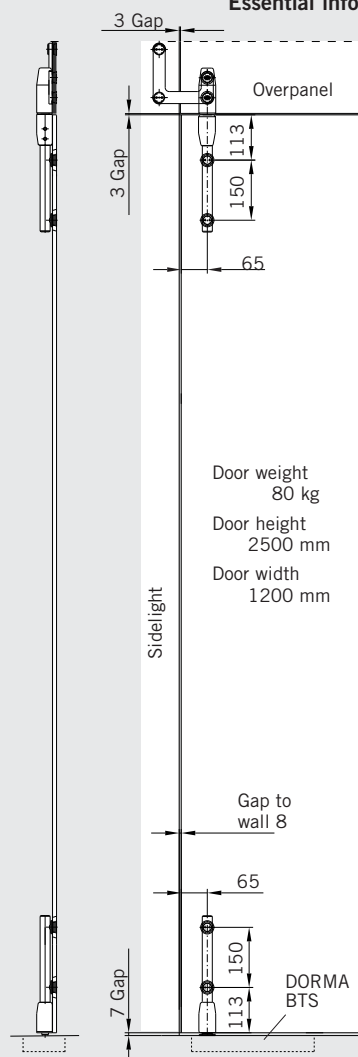


Set 3
with pivot rod pair,
short type

Option:
Set 3, but with additional intermediate tube for pivot rod pair
in fixed length

Set 3 consisting of:
pivot rod pair top/bottom,
short type,
including:
4 Single-point fixing for pivot rods,
1 Pivot fitting top,
1 Overpanel-sidelight connector with
pivot bearing location,
1 Pivot fitting bottom
for DORMA BTS/floor pivot bearing

Essential information: Panel height _____ mm
- 577 mm
= Length intermed. tube
_____ mm



For the requisite glass preparation
please see pages 20/21

Ordering information

Art. No. 8.29.914.700.99

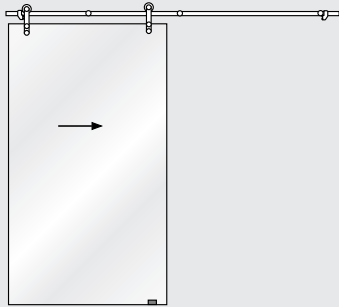
Art. No. 8.29.915.700.99

Options for SET 3

Pull handles	Length 350 mm	Art. No. 8.29.268.700.99
	Length 720 mm	Art. No. 8.29.271.700.99
	Length 1240 mm	Art. No. 8.29.274.700.99
	Length 1760 mm	Art. No. 8.29.277.700.99
Pair of pull handles	Length 350 mm	Art. No. 8.21.267.700.99
	Length 720 mm	Art. No. 8.21.270.700.99
	Length 1240 mm	Art. No. 8.21.273.700.99
	Length 1760 mm	Art. No. 8.21.276.700.99
Ceiling fixing (bearing function)		Art. No. 8.29.337.700.99
Stop at overpanel, (inside/outside) for 10 and 12 mm glass		Art. No. 8.29.335.700.99
Corner lock		Art. No. 8.21.448.700.99
Corner lock with rose on one lockside		Art. No. 8.21.449.700.99
Profile cylinder for corner lock 8.21.448/449.700.99		Art. No. 8.14.206.000.99
Eccentric bushing for corner lock 8.21.448/449.700.99		Art. No. 8.05.194.700.99
Overpanel-sidel. conn. for 10/12 mm glass		Art. No. 8.29.320.700.99
Overp.-sidel. conn. with stop inside for 10 and 12 mm glass		Art. No. 8.29.322.700.99
Overp.-sidel. conn. with stop outside for 10 mm glass		Art. No. 8.29.324.700.99
Overp.-sidel. conn. with stop outside for 12 mm glass		Art. No. 8.29.325.700.99
Floor pivot		Art. No. 8.01.106.700.99
Assembling tool for MANET-single-point f.		Art. No. 8.21.134.000.99
5 pcs. clip-on cover f. single-point fixings		Art. No. 8.29.217.700.99
Sample cases MANET COMPACT for advice and presentation		Art. No. 8.21.994.700.99

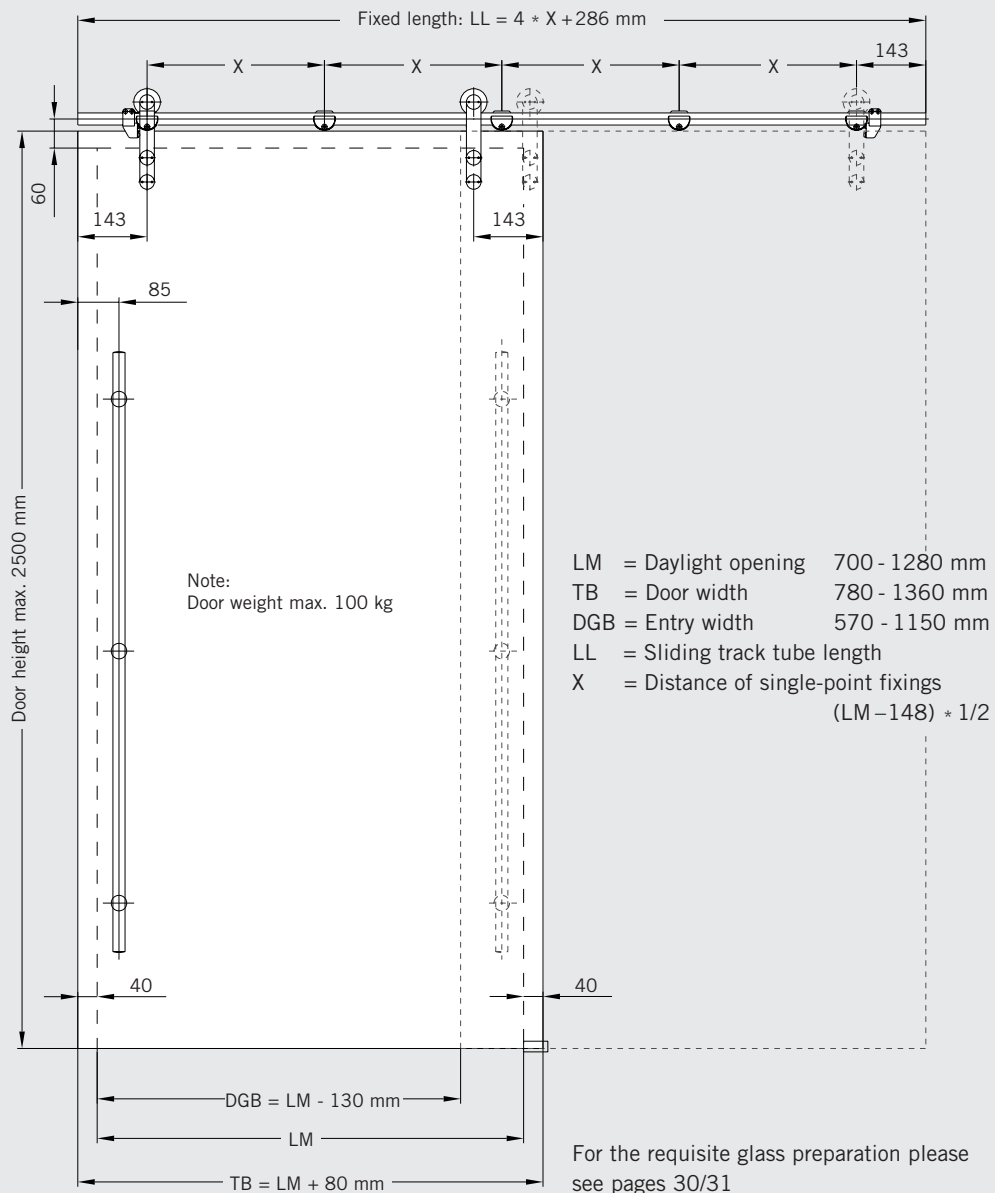
Set 4.1 / 4.2

Sliding door MANET COMPACT for installation to wall, for 8 - 12 mm glass



Set 4.1
with single-point fixings countersunk

Set 4.2
with clamping disc single-point fixings



Set 4.1 / 4.2

Sliding door MANET COMPACT for installation to wall, for 8 - 12 mm glass

Set 4.1 / Set 4.2

consisting of

- 5 Clamp fixings
for track to wall
- 2 Roller carriers CLASSIC
incl. single-point fixings for 8 - 12 mm glass
- 1 Door stop left hand
- 1 Door stop right hand
- 1 Floor guide
- Installation tools

Set as above,
but with 16 mm extended clamp fixing

Options for Set 4.1 / Set 4.2

Pull handles	Length 350 mm
	Length 720 mm
	Length 1240 mm
	Length 1760 mm
Pair of pull handles	Length 350 mm
	Length 720 mm
	Length 1240 mm
	Length 1760 mm

Door knob
back-to-back for 8 - 12 mm glass

Door knob
one side fixing for 8 - 12 mm glass

Corner lock

Corner lock
with rose on one lock side

Profile cylinder for
corner lock 8.21.448/449.700.99

Eccentric bushing for
corner lock 8.21.448/449.700.99

Aluminium guide rail
Length 3000 mm

Assembling tool for MANET single-point fixing

5 pcs. clip-on cover f. single-point fixings

Sample cases MANET COMPACT
for advice and presentation

Ordering information

**Set 4.1
with countersunk
single-point fixings**

Art. No. 8.29.916.700.99

Art. No. 8.29.925.700.99

Art. No. 8.29.268.700.99
Art. No. 8.29.271.700.99
Art. No. 8.29.274.700.99
Art. No. 8.29.277.700.99
Art. No. 8.21.267.700.99
Art. No. 8.21.270.700.99
Art. No. 8.21.273.700.99
Art. No. 8.21.276.700.99

**Set 4.2
with clamping disc
single-point fixings**

Art. No. 8.29.917.700.99

Art. No. 8.29.926.700.99

Art. No. 8.21.240.700.99
Art. No. 8.21.241.700.99
Art. No. 8.21.242.700.99
Art. No. 8.21.243.700.99
Art. No. 8.21.267.700.99
Art. No. 8.21.270.700.99
Art. No. 8.21.273.700.99
Art. No. 8.21.276.700.99

Art. No. 8.21.423.700.99

Art. No. 8.29.422.700.99

Art. No. 8.21.448.700.99

Art. No. 8.21.449.700.99

Art. No. 8.14.206.000.99

Art. No. 8.05.194.700.99

Art. No. 8.21.432.700.99

Art. No. 8.21.134.700.99

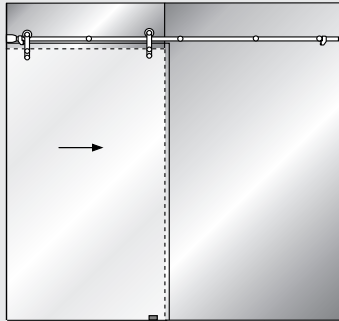
Art. No. 8.29.217.700.99

Art. No. 8.21.994.700.99

Set 5.1 / 5.2

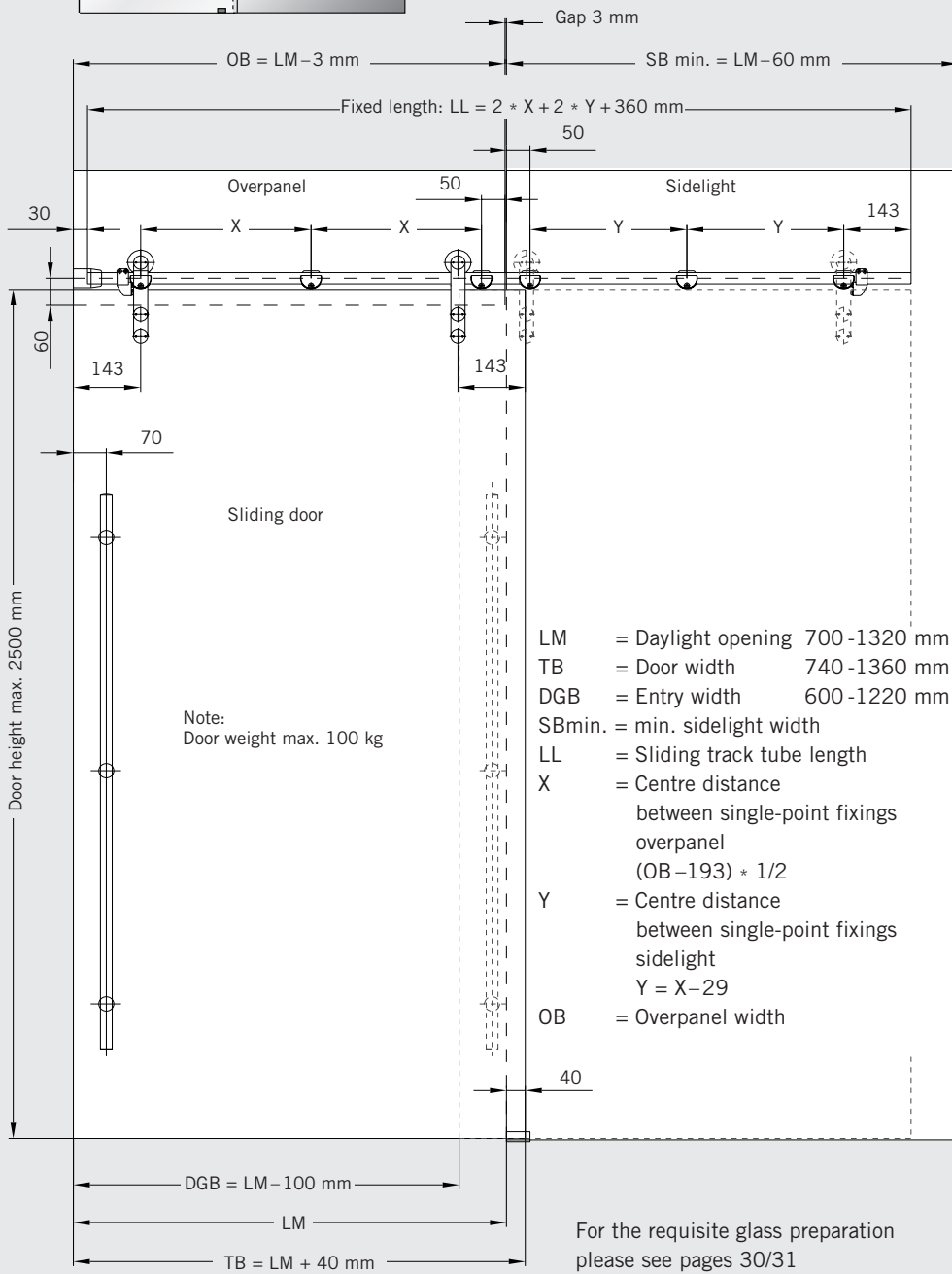
Sliding door MANET COMPACT for installation to glass, one side attached to masonry

for sliding door 8 - 12 mm glass,
glass connection overpanel/sidelight 10 - 13.5 mm



Set 5.1
with countersunk single-point fixings

Set 5.2
with clamping disc single-point fixing



Set 5.1 / 5.2

Sliding door MANET COMPACT for installation to glass, one side attached to masonry, for sliding door 8 - 12 mm glass, glass connection overpanel/sidelight 10 - 13.5 mm

Set 5.1 / Set 5.2

consisting of

- 6 Clamp fixings
fixing to glass, countersunk
- 2 Roller carriers CLASSIC
incl. single-point fixings for 8 - 12 mm glass
- 1 Wall fixing
- 1 Door stop left hand
- 1 Door stop right hand
- 1 Floor guide
- Installation tools

Options for Set 5.1 / Set 5.2

Pull handles	Length	350 mm
	Length	720 mm
	Length	1240 mm
	Length	1760 mm
Pair of pull handles	Length	350 mm
	Length	720 mm
	Length	1240 mm
	Length	1760 mm

Door knob
back-to-back for 8 - 12 mm glass

Door knob
one side fixing for 8 - 12 mm glass

Corner lock

Corner lock
with rose on one lock side

Profile cylinder for
corner lock 8.21.448/449.700.99

Eccentric bushing for
corner lock 8.21.448/449.700.99

Aluminium guide rail
Length 3000 mm

Ceiling connector
(bearing function)

Assembling tool for MANET single-point fixing

5 pcs. clip-on cover f. single-point fixings

Sample cases MANET COMPACT
for advice and presentation

Ordering information

Set 5.1 with countersunk single-point fixings

Art. No. 8.29.918.700.99

Set 5.2 with clamping disc single-point fixings

Art. No. 8.29.919.700.99

Art. No. 8.29.268.700.99

Art. No. 8.29.271.700.99

Art. No. 8.29.274.700.99

Art. No. 8.29.277.700.99

Art. No. 8.21.267.700.99

Art. No. 8.21.270.700.99

Art. No. 8.21.273.700.99

Art. No. 8.21.276.700.99

Art. No. 8.21.240.700.99

Art. No. 8.21.241.700.99

Art. No. 8.21.242.700.99

Art. No. 8.21.243.700.99

Art. No. 8.21.267.700.99

Art. No. 8.21.270.700.99

Art. No. 8.21.273.700.99

Art. No. 8.21.276.700.99

Art. No. 8.21.423.700.99

Art. No. 8.29.422.700.99

Art. No. 8.21.448.700.99

Art. No. 8.21.449.700.99

Art. No. 8.14.206.000.99

Art. No. 8.05.194.700.99

Art. No. 8.21.432.700.99

Art. No. 8.29.337.700.99

Art. No. 8.21.134.000.99

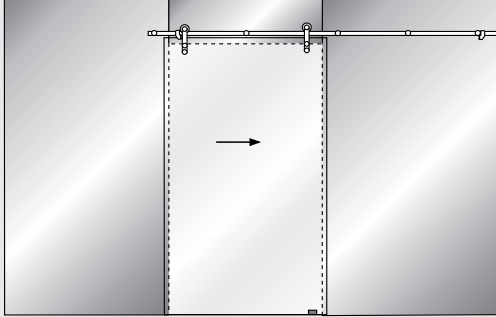
Art. No. 8.29.217.700.99

Art. No. 8.21.994.700.99

Set 6.1 / 6.2

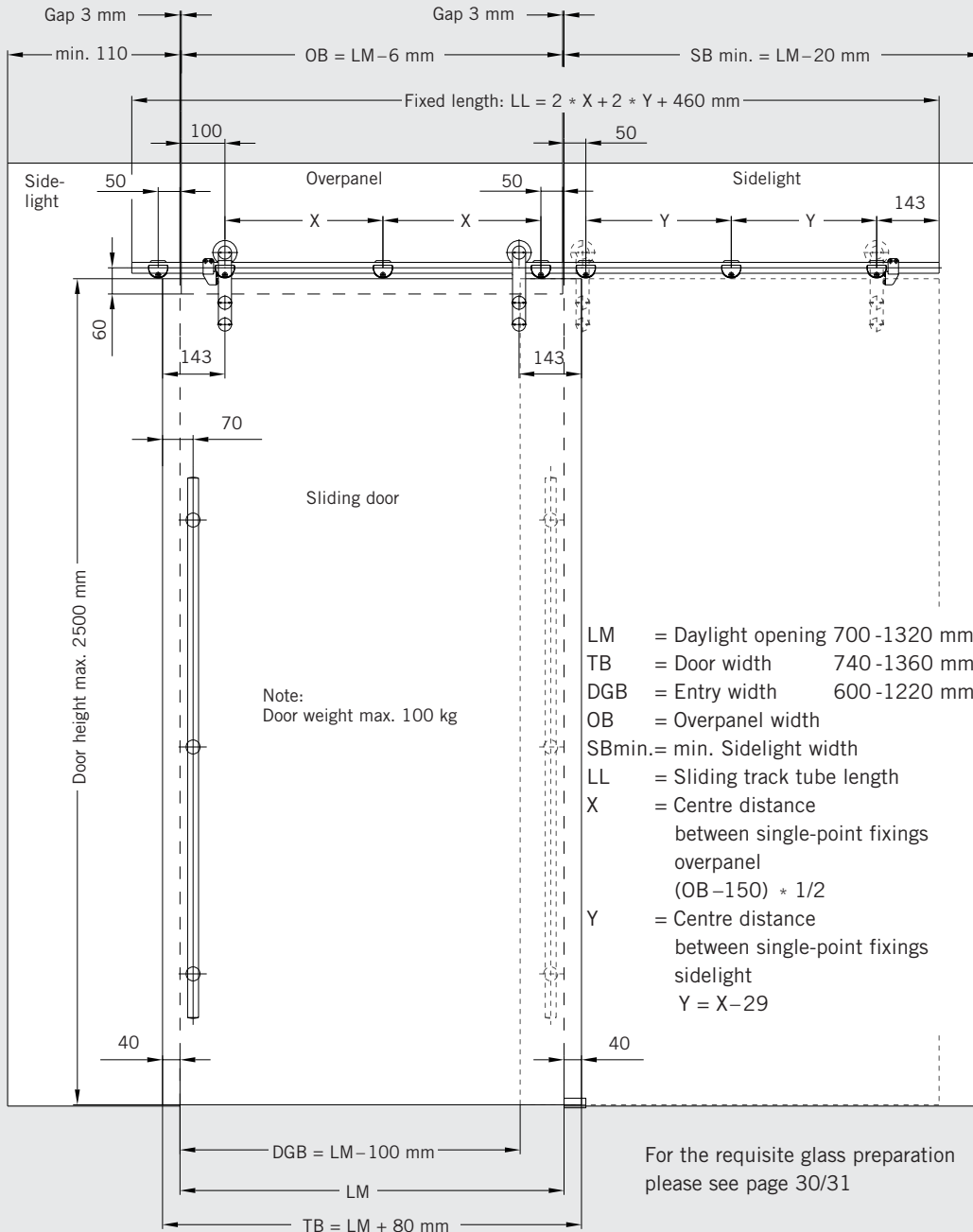
Sliding door MANET COMPACT for installation to glass, sidelights on both sides

for sliding door 8 - 12 mm glass,
glass connection overpanel/sidelight 10 - 13.5 mm



Set 6.1
with countersunk single-point fixings

Set 6.2
with clamping disc single-point fixings



Set 6.1 / 6.2

Sliding door MANET COMPACT for installation to glass, sidelight on both sides, for sliding door 8 - 12 mm Glas, glass connection overpanel/sidelight 10 - 13.5 mm

Set 6.1 / Set 6.2

consisting of

- 7 Clamp fixings
fixing to glass
- 2 Roller carriers CLASSIC
incl. single-point fixings for 8 - 12 mm glass
- 1 Door stop left hand
- 1 Door stop right hand
- 1 Floor guide
- Installation tools

Options for Set 6.1 / Set 6.2

Pull handles	Length	350 mm
	Length	720 mm
	Length	1240 mm
	Length	1760 mm
Pair of pull handles	Length	350 mm
	Length	720 mm
	Length	1240 mm
	Length	1760 mm

Door knob
back-to-back for 8 - 12 mm glass

Door knob
one side fixing for 8 - 12 mm glass

Sliding door lock with ratchet brace

Corner lock

Corner lock
with rose on one lock side

Profile cylinder for
corner lock 8.21.448/449.700.99

Eccentric bushing for
corner lock 8.21.448/449.700.99

Aluminium guide rail
Length 3000 mm

Ceiling connector
(bearing function)

Assembling tool for MANET single-point fixing

5 pcs. clip-on cover f. single-point fixings

Sample cases MANET COMPACT
for advice and presentation

Ordering information

Set 6.1 with single-point fixings countersunk

Art. No. 8.29.920.700.99

Set 6.2 with clamping disc single-point fixings

Art. No. 8.29.921.700.99

Art. No. 8.29.268.700.99

Art. No. 8.29.271.700.99

Art. No. 8.29.274.700.99

Art. No. 8.29.277.700.99

Art. No. 8.21.267.700.99

Art. No. 8.21.270.700.99

Art. No. 8.21.273.700.99

Art. No. 8.21.276.700.99

Art. No. 8.21.240.700.99

Art. No. 8.21.241.700.99

Art. No. 8.21.242.700.99

Art. No. 8.21.243.700.99

Art. No. 8.21.267.700.99

Art. No. 8.21.270.700.99

Art. No. 8.21.273.700.99

Art. No. 8.21.276.700.99

Art. No. 8.21.423.700.99

Art. No. 8.29.422.700.99

Art. No. 8.21.446.700.99

Art. No. 8.21.448.700.99

Art. No. 8.21.449.700.99

Art. No. 8.14.206.000.99

Art. No. 8.05.194.700.99

Art. No. 8.21.432.700.99

Art. No. 8.29.337.700.99

Art. No. 8.21.134.000.99

Art. No. 8.29.217.700.99

Art. No. 8.21.994.700.99

DORMA



MANET AMBIENT





MANET AMBIENT

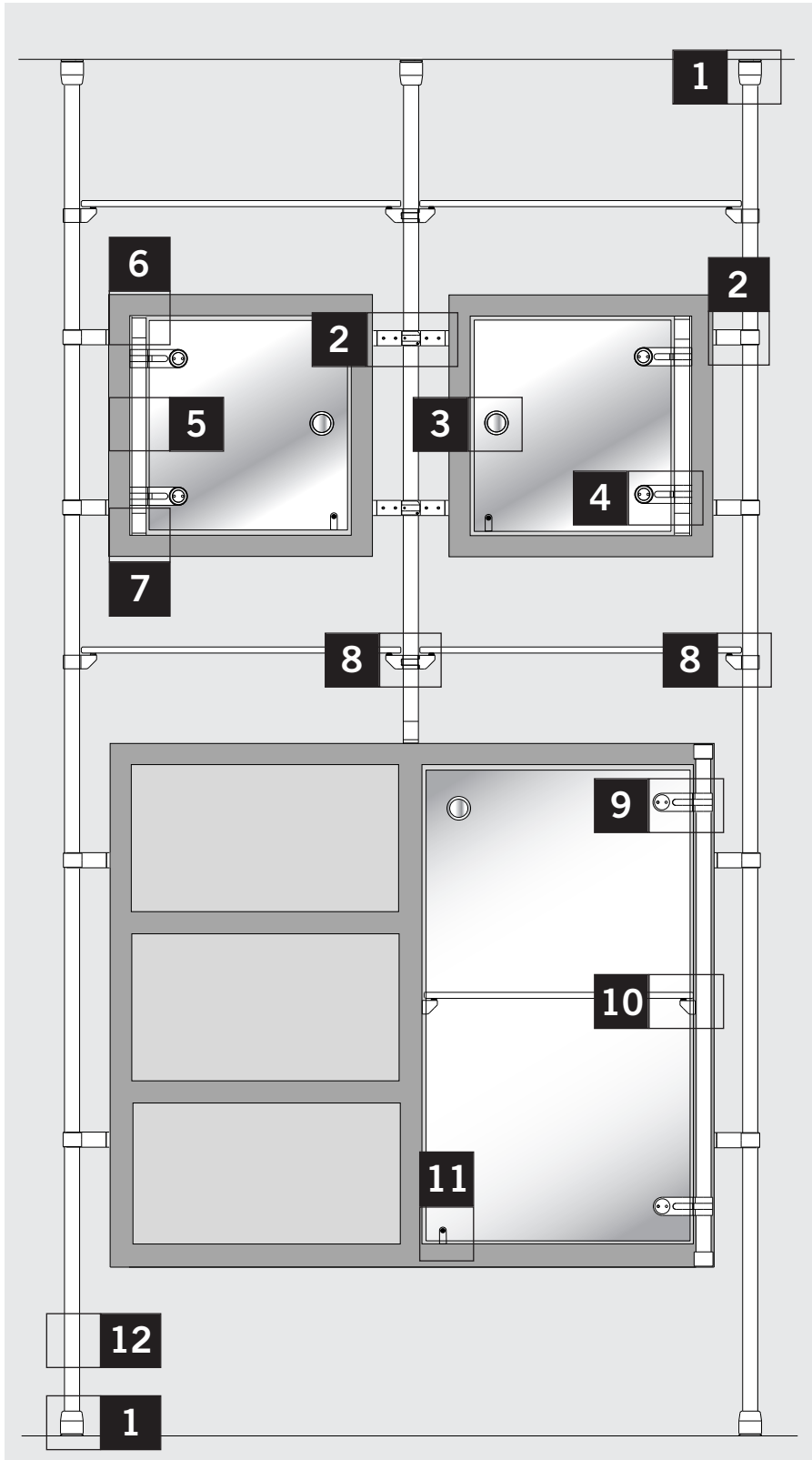
Content

System	52
Single-point fixings	54
Rods / Tracks	56
Connectors	58
Pivoting doors	60
Sliding doors	64

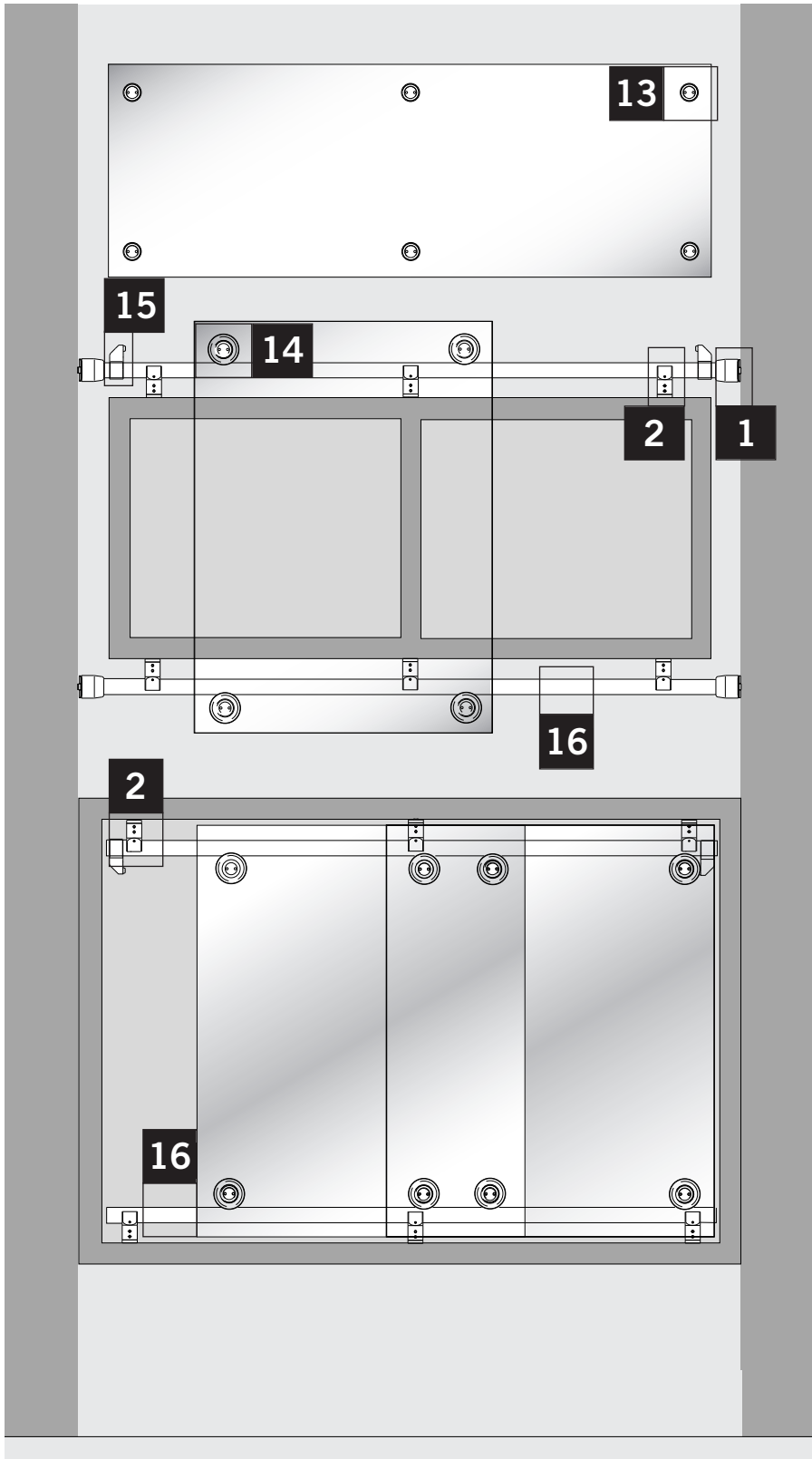
System

You have a picture in your head?
 MANET AMBIENT can supply the materials
 and versatility needed to make it a reality.

The material: stainless steel
 The components: variable and adaptable
 The functions: visual and expressive



- 1**
Wall/ceiling connector
- 2**
Connector
- 3**
Recessed pull grip
- 4**
Inboard furniture hinge
- 5**
Insert rod
- 6**
Top insert
- 7**
Bottom insert
- 8**
Shelf support
- 9**
Outboard furniture hinge
- 10**
Plug-in shelf support
- 11**
Door stop, pivoting door
- 12**
Rod



13
Single-point fixing /
Single-point spacer fixing

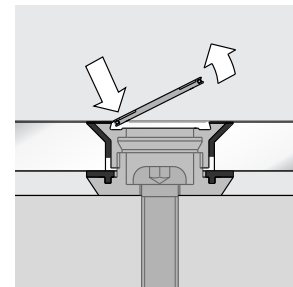
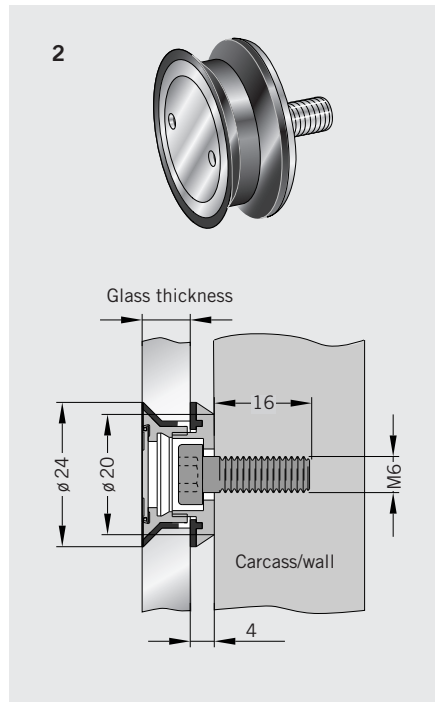
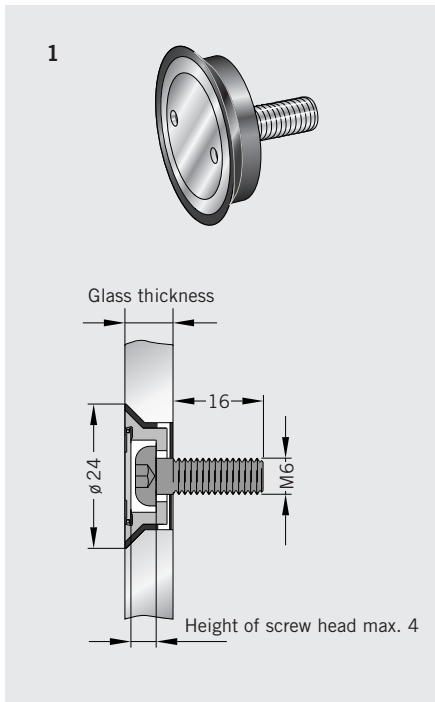
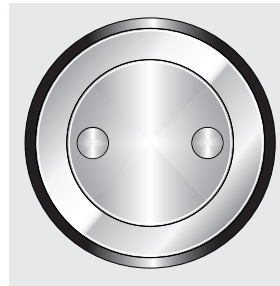
14
Roller

15
Door stop, sliding door

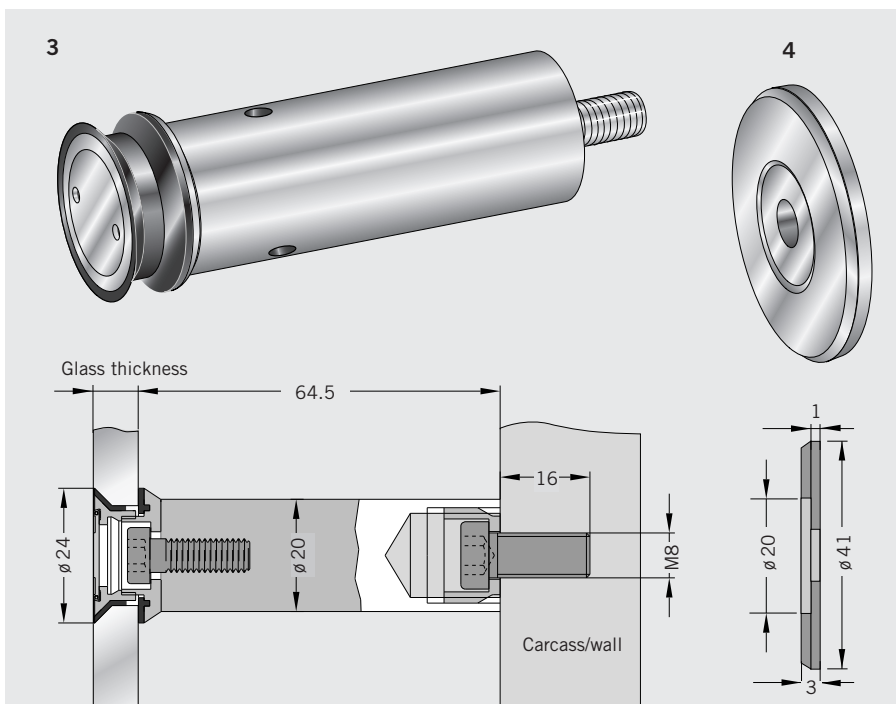
16
Track rail

Single-point fixings

Countersunk holes are required in the glass in order to ensure flush-mounting. The plastic clamping collar protects the glass from direct contact with the stainless steel fitting. The single-point fixing can be adjusted to offset tolerances.



The cover for the single-point fixing can be detached by pressing the edge.



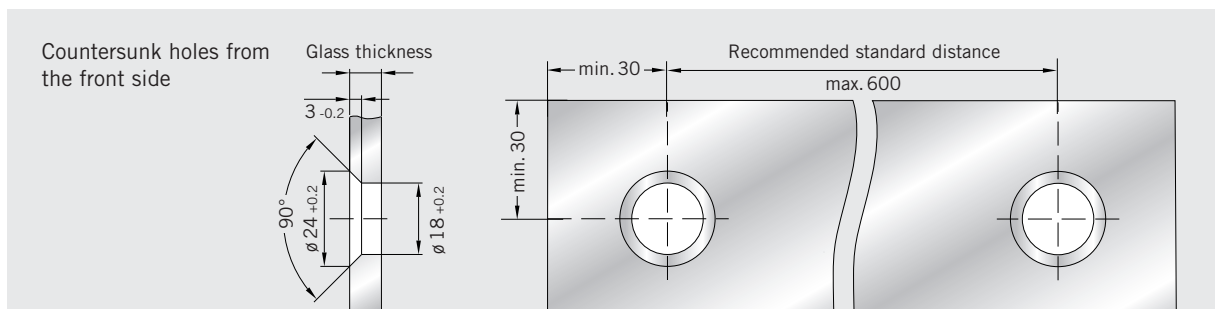
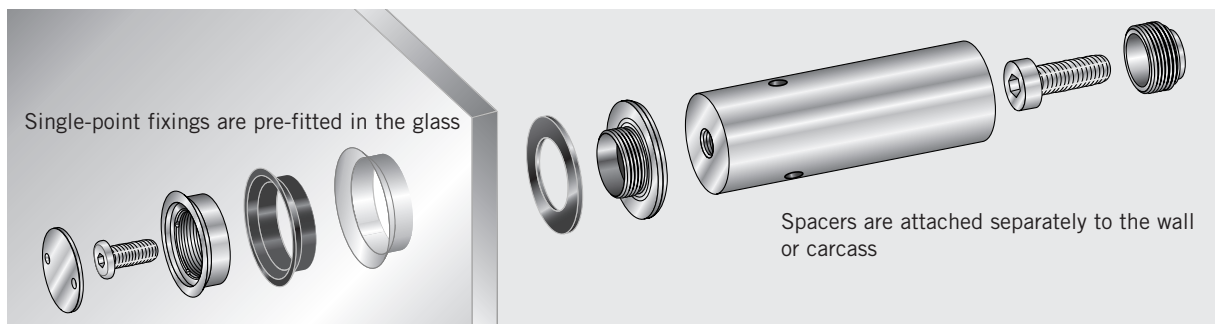
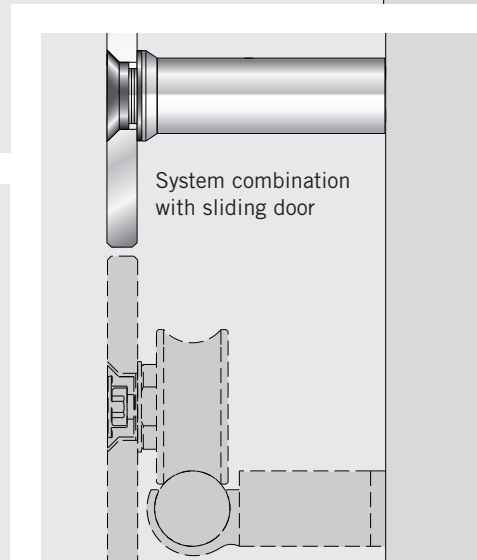
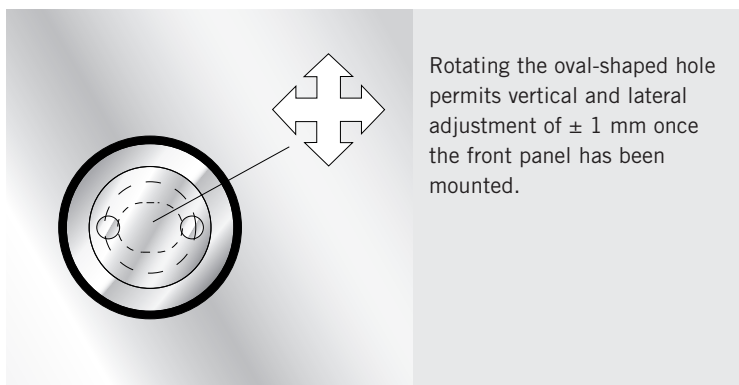
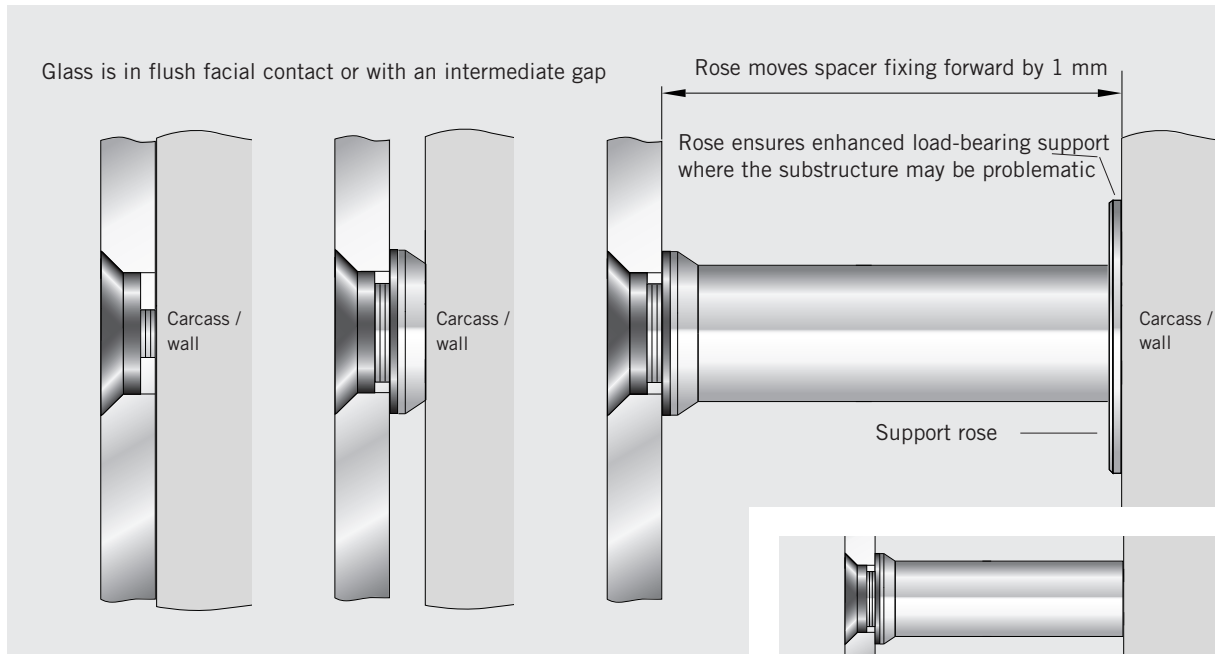
Ordering information

1
Single-point fixing
for 6/8 mm glass, adjustable
Art. No. 8.20.601.700.99

2
Single-point fixing
with base flange
for 6/8 mm glass, adjustable
Art. No. 8.20.611.700.99

3
Single-point spacer fixing
for 6/8 mm glass
Art. No. 8.20.620.700.99

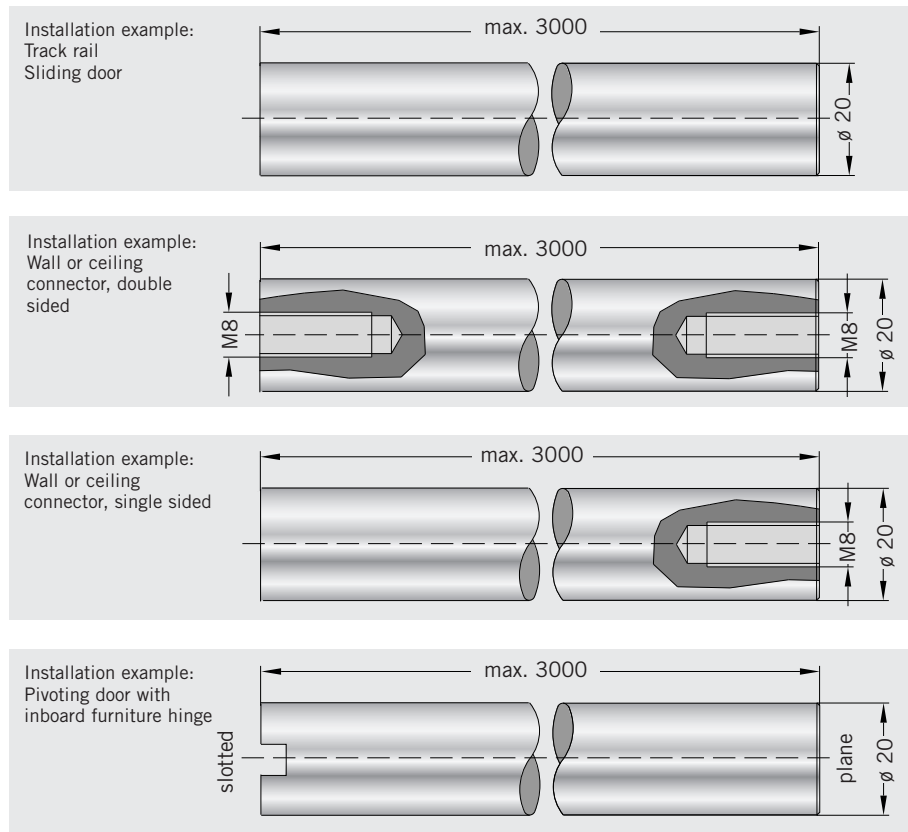
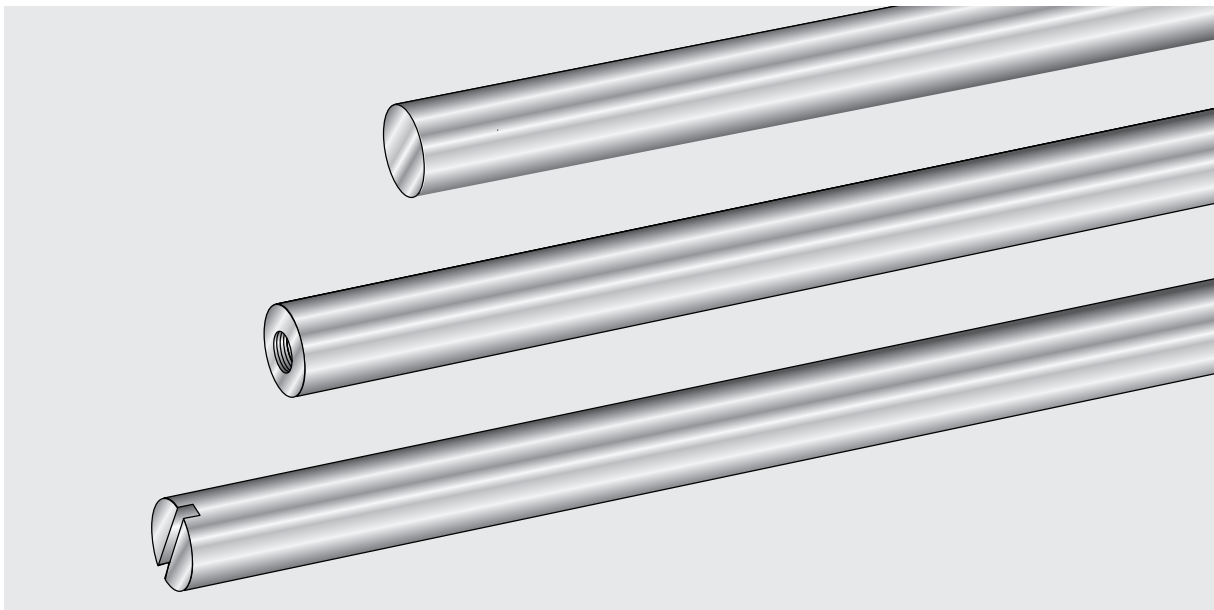
4
Support rose
Art. No. 8.20.803.700.99



Rods/Track rails

Various rods, likewise made from stainless steel, can be used as track rails or pivots rods for sliding and pivoting doors, and as stabilising components for connecting several furniture elements.

The end faces of the rods are prepared according to their application.



Ordering information

Track rail / pivot rod
plane/plane
Art. No. 8.20.780.700.99

Track rail / pivot rod
M8/M8
Art. No. 8.20.781.700.99

Track rail / pivot rod
plane/M8
Art. No. 8.20.782.700.99

Insert rod
slotted / plane
Art. No. 8.20.756.700.99

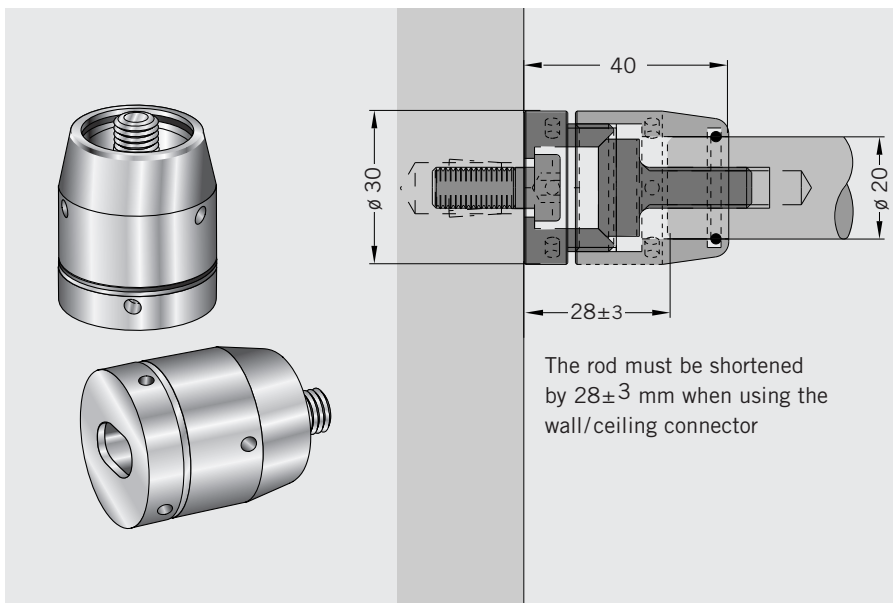
Wall/ceiling connector

Wall/ceiling connectors enable furniture items to be attached on one or two sides to walls and horizontal surfaces as required.

The flange is positioned on the ceiling or floor first.

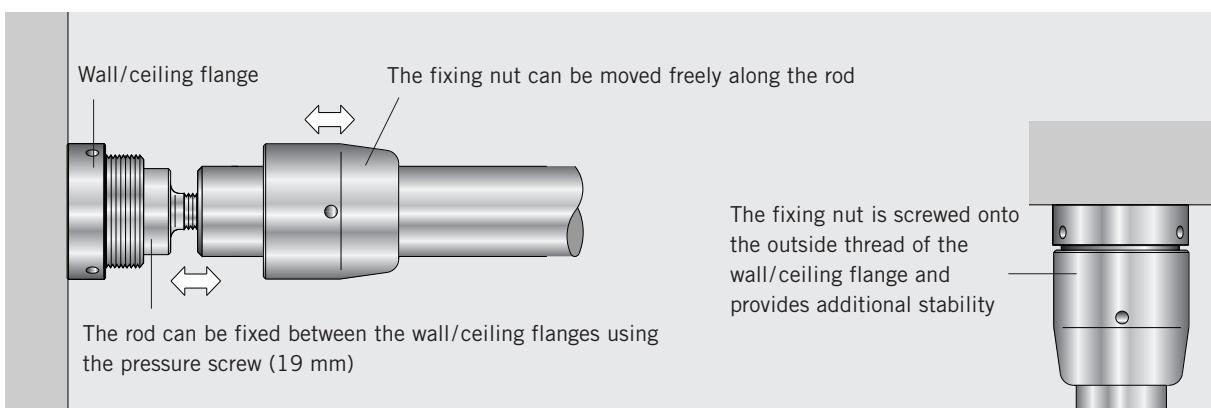
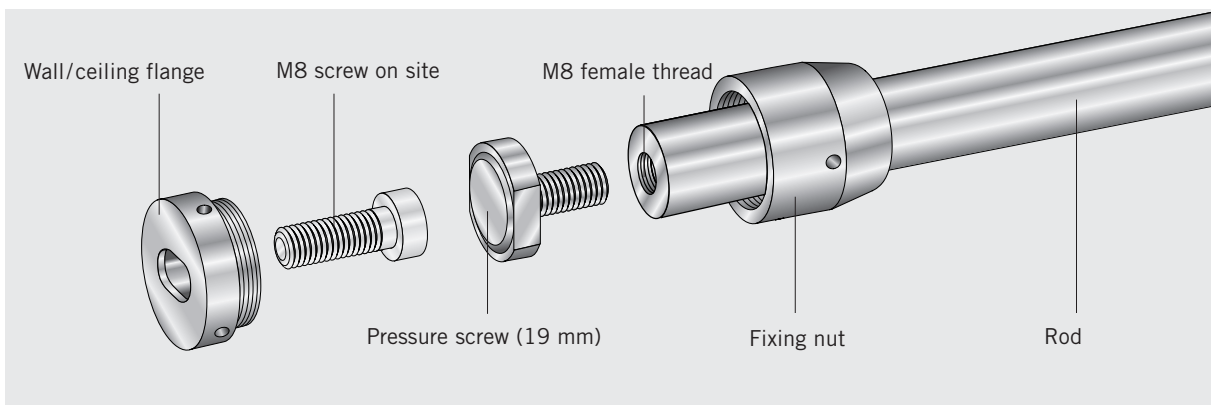
Next, the relevant rod is placed with a "pressure screw" against the flange (end face with M8 thread).

The sleeve, which is already slid onto the rod, is then screwed to the flange.



Ordering information

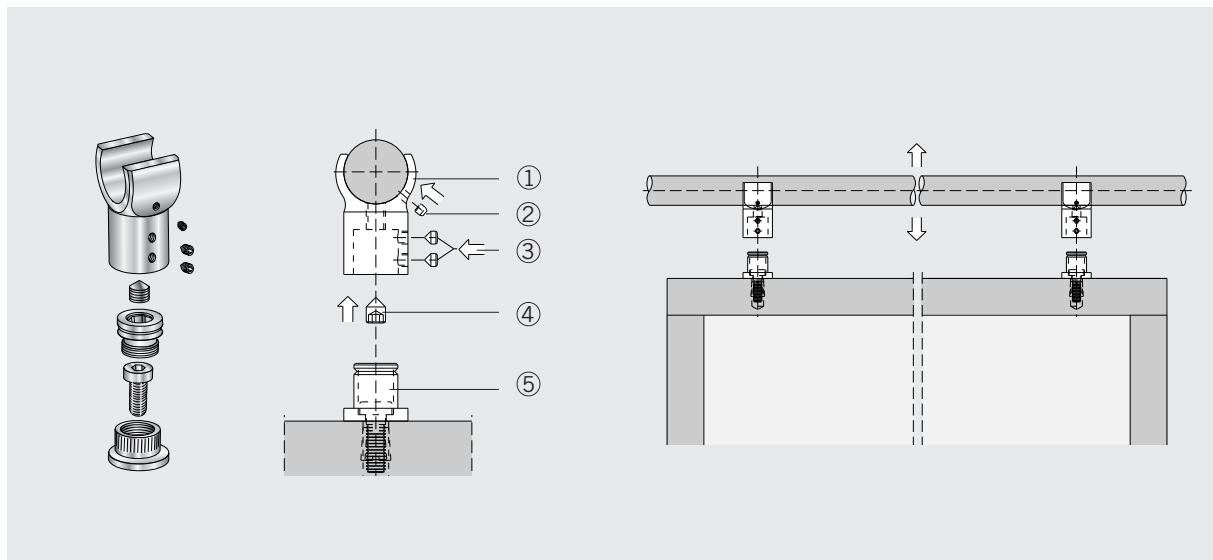
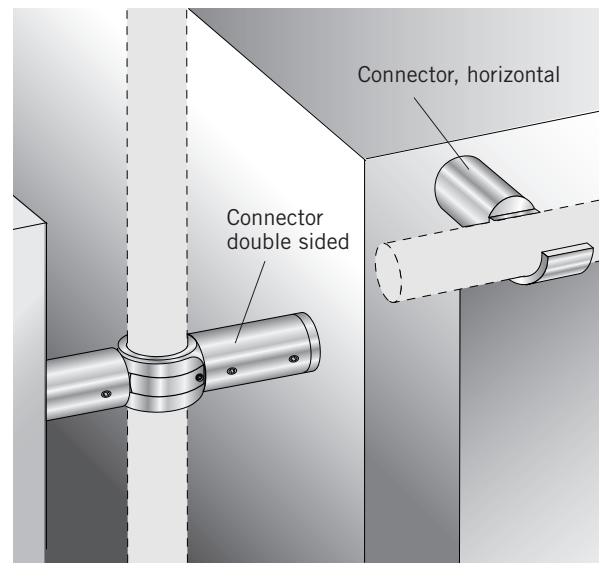
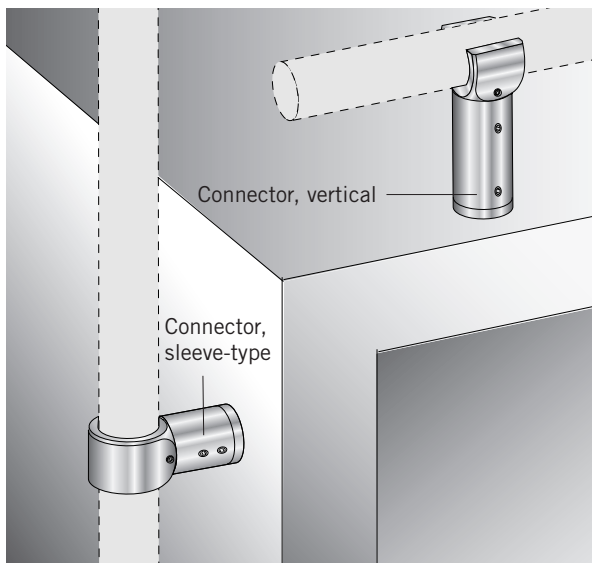
Wall/ceiling connector
Art. No. 8.20.760.700.99



Connectors

There are three different connectors in two lengths, all of which are available as fixed or adjustable variants depending on their intended application. The vertical connector is attached on or under a carcass element, and the connector opening is required so that the doors can be slid along the rod.

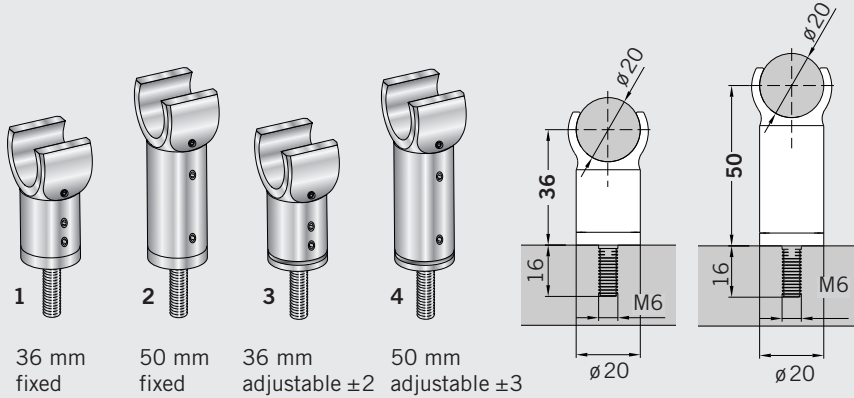
Horizontal connectors are used to attach rods for the track rail at the front of the carcass. Sleeve-type connectors are used with stabilising rods and with rods for pivoting doors with an outboard furniture hinge.



Mounting

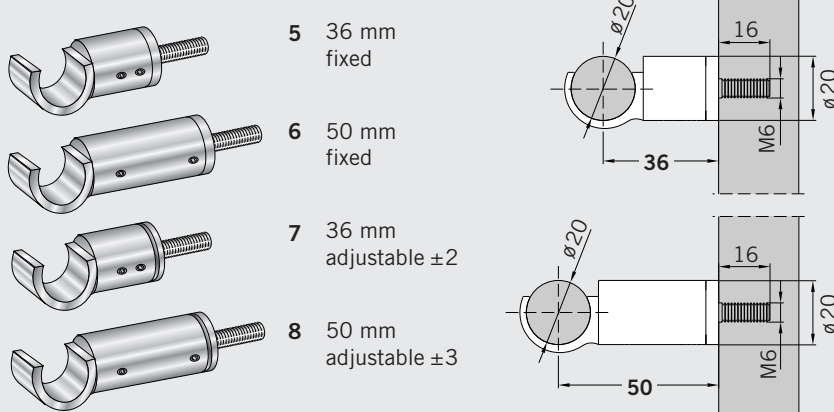
- Screw-fix the base flanges ⑤ in the required position.
- Slide all connectors ① loosely on the rod.
- Fit the connectors ① with the rod onto the base flanges ⑤.
- Temporarily fix the connectors ① to the rod using the small M3 grub screw ②.
- Remove the rod with the pre-fixed connectors ① from the base flanges ⑤.
- Using the large M6 grub screw ④, finally fix the connectors ① in the required position.
- Having assembled the rod and connectors ① fit the assembly to the base flanges ⑤ and secure with the M4 grub screws ③.

Vertical connectors



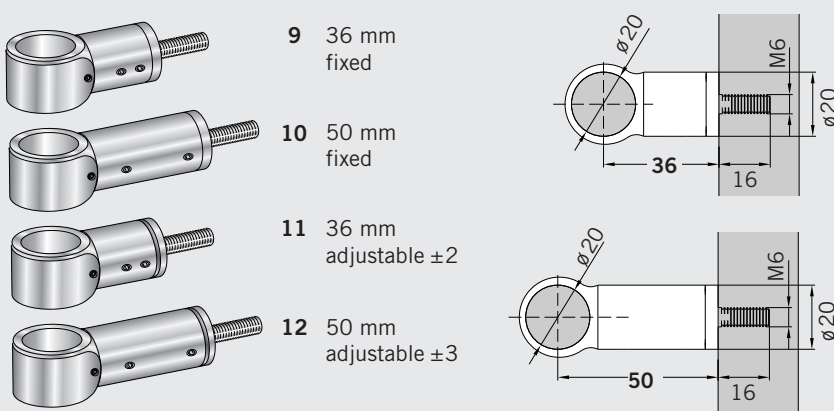
1 36 mm fixed
2 50 mm fixed
3 36 mm adjustable ±2
4 50 mm adjustable ±3

Horizontal connectors



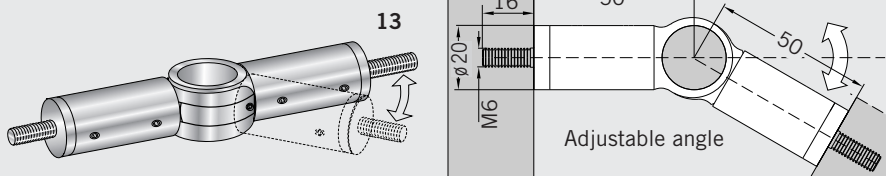
5 36 mm fixed
6 50 mm fixed
7 36 mm adjustable ±2
8 50 mm adjustable ±3

Connector, sleeve-type



9 36 mm fixed
10 50 mm fixed
11 36 mm adjustable ±2
12 50 mm adjustable ±3

Connector, double sided



13

Adjustable angle

Ordering information

1
Art. No. 8.20.700.700.99

2
Art. No. 8.20.701.700.99

3
Art. No. 8.20.705.700.99

4
Art. No. 8.20.706.700.99

5
Art. No. 8.20.710.700.99

6
Art. No. 8.20.711.700.99

7
Art. No. 8.20.715.700.99

8
Art. No. 8.20.716.700.99

9
Art. No. 8.20.720.700.99

10
Art. No. 8.20.721.700.99

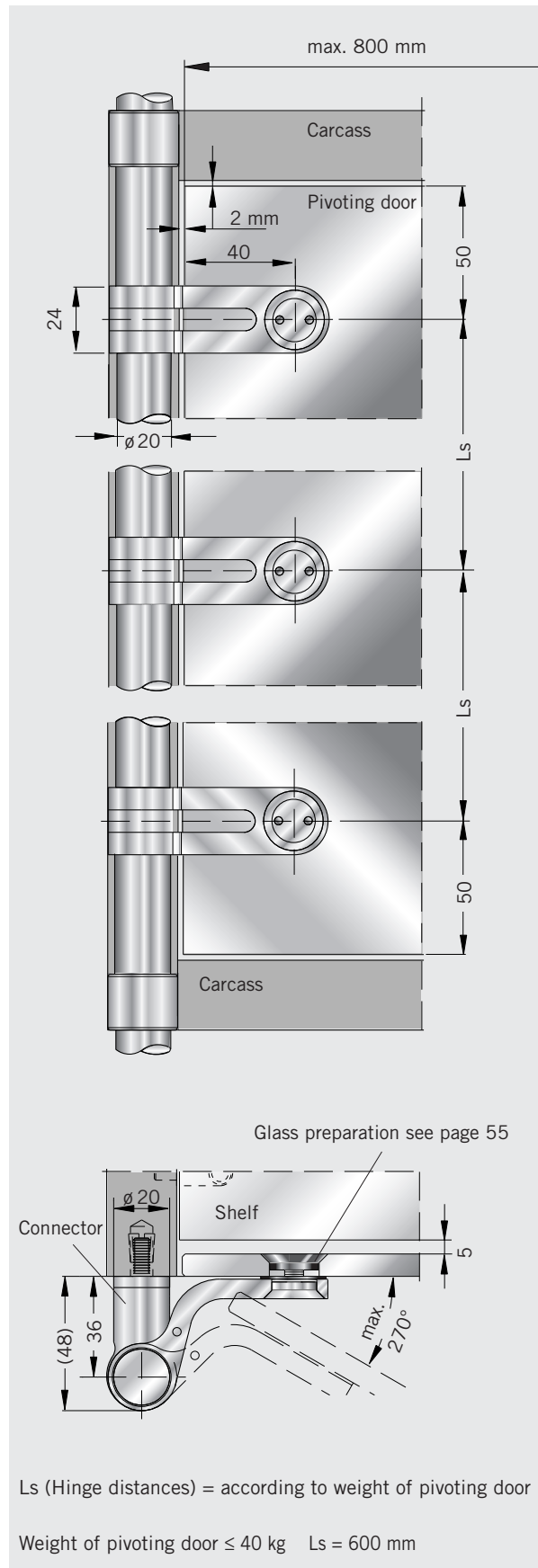
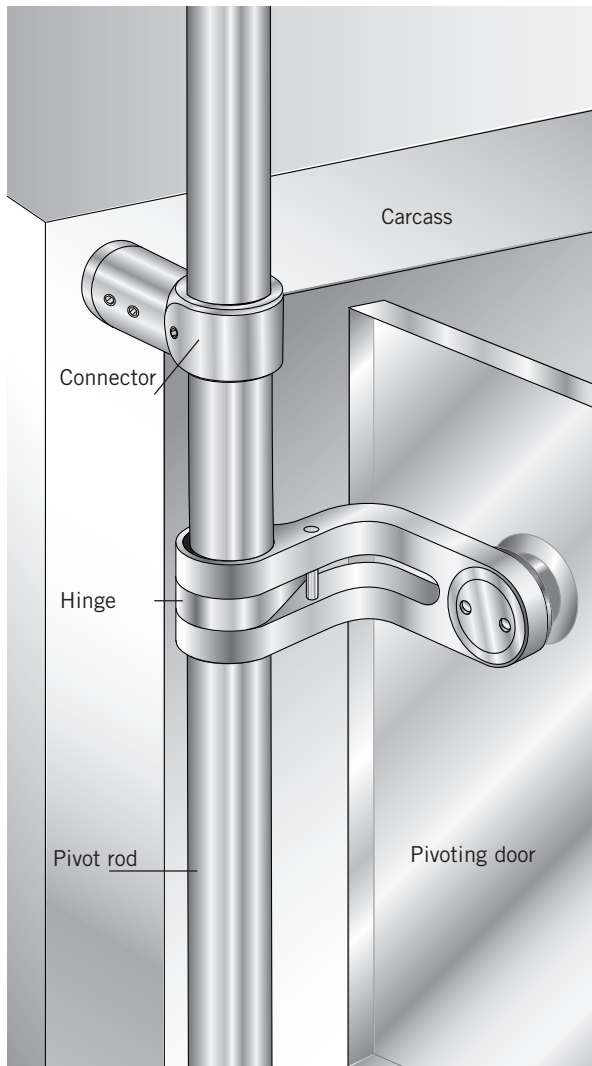
11
Art. No. 8.20.725.700.99

12
Art. No. 8.20.726.700.99

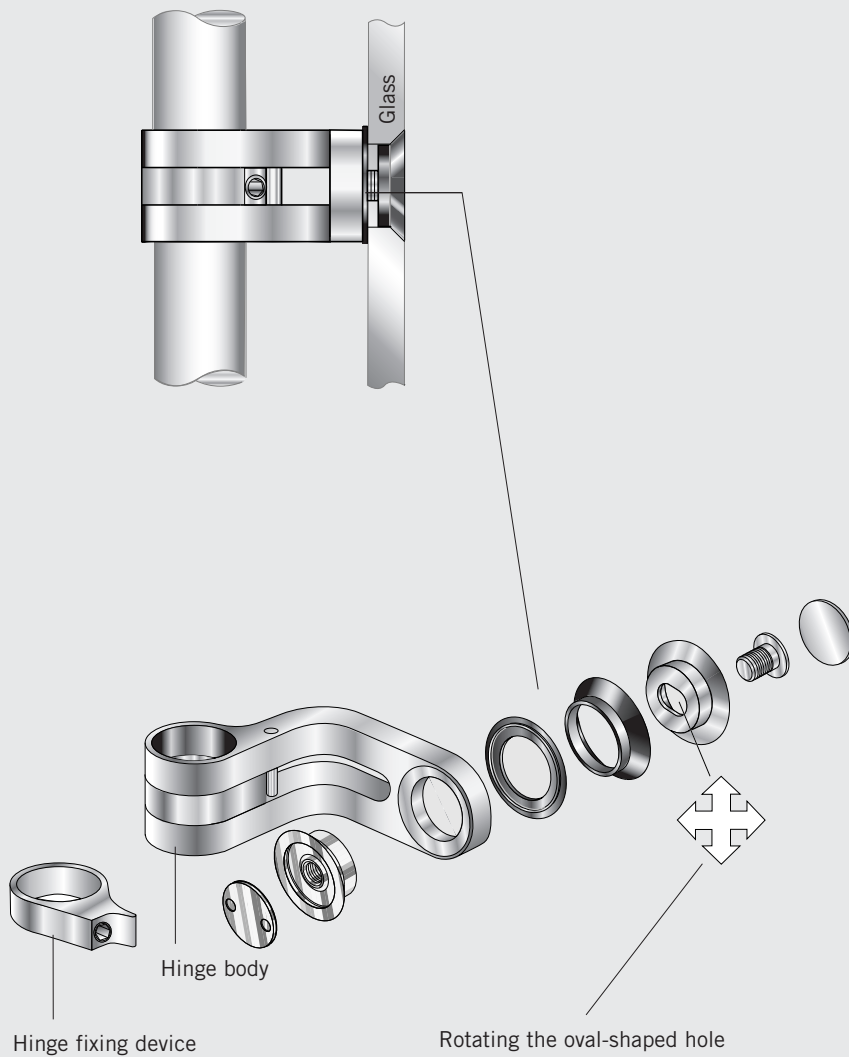
13
Art. No. 8.20.727.700.99

Pivoting door, outboard furniture hinge

A feature of the outboard furniture hinge is its right-angled design. This is required in order to attach the hinge on the outside of the carcass (in contrast to an inboard furniture hinge, which is attached inside the carcass, see page 62). A ring is provided within the hinge as a retainer. Inserted plain bearings allow the hinges to pivot about the fixed rod. The outboard furniture hinge permits a door opening angle of up to 270°. The glass thickness is down to a minimum of 6 mm, the door weight amounts to a maximum of 40 kg.



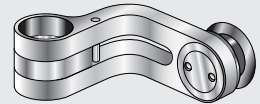
Components of the pivoting door hinge
with single-point fixings



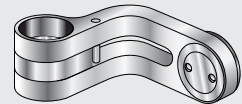
Rotating the oval-shaped hole permits vertical and lateral adjustment of ± 1 mm once the pivoting door has been mounted.

Glass preparation see page 55

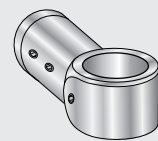
Ordering information



Outboard furniture hinge
with single-point fixing
Art. No. 8.20.670.700.99



Outboard furniture hinge
without single-point fixing
M6 female thread
Art. No. 8.20.675.700.99



Rods and connectors
see page 56 - 59

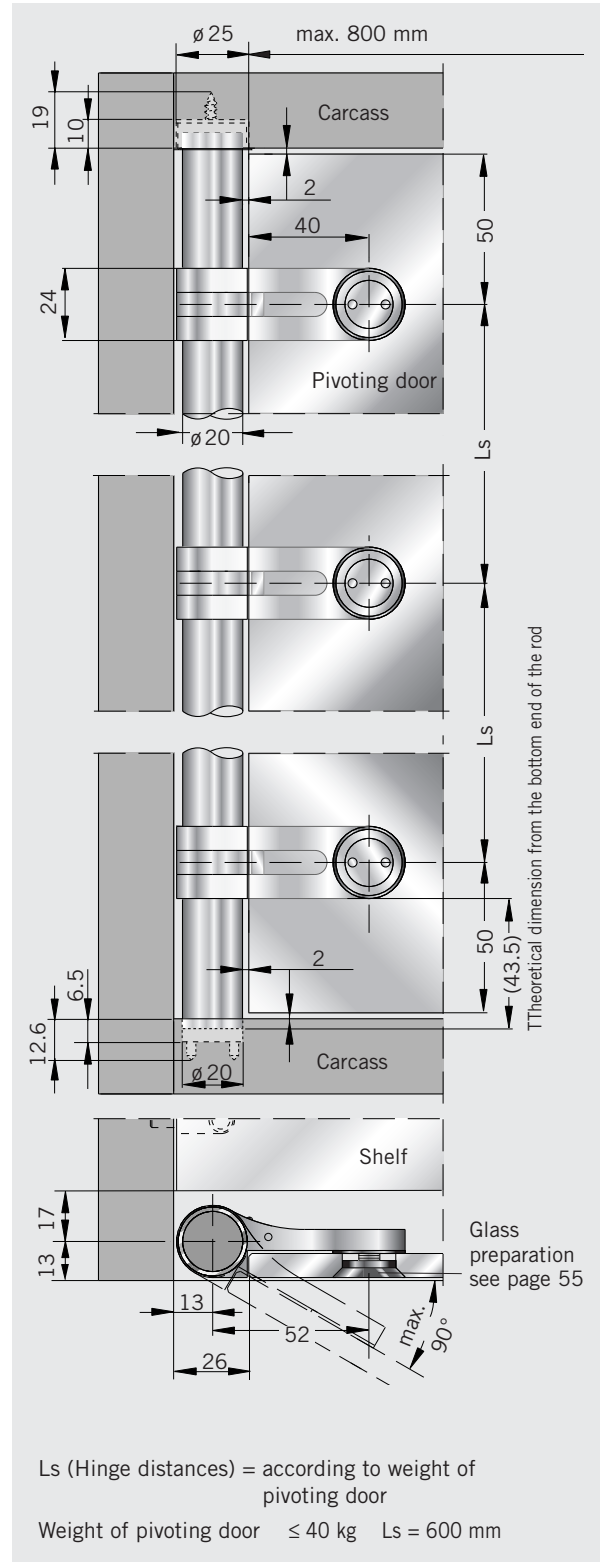
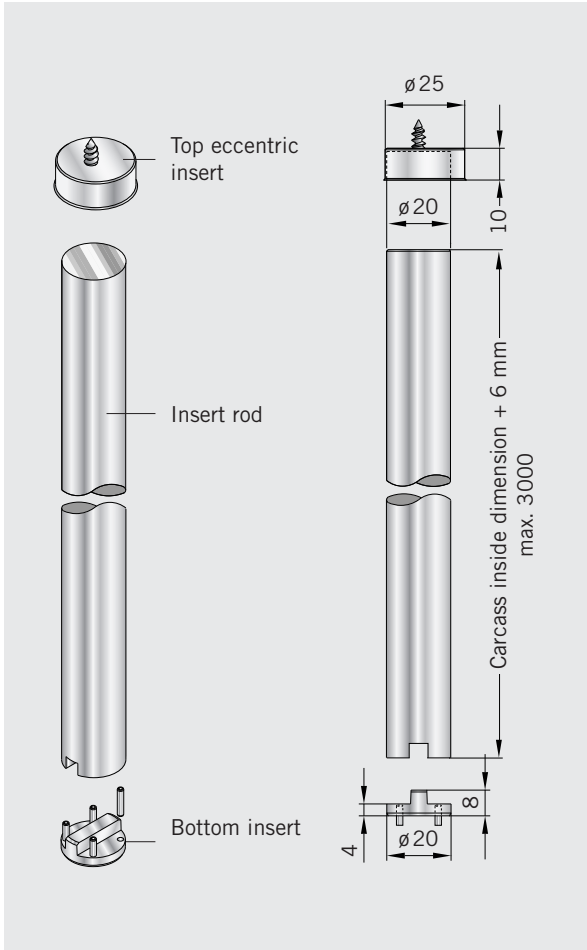
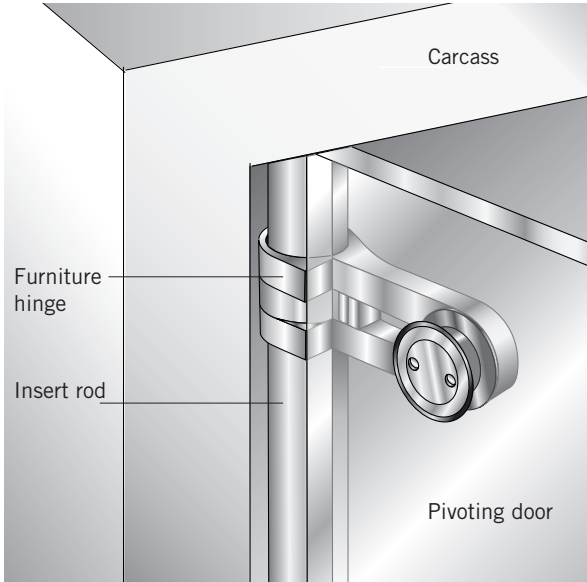
Pivoting door, inboard furniture hinge

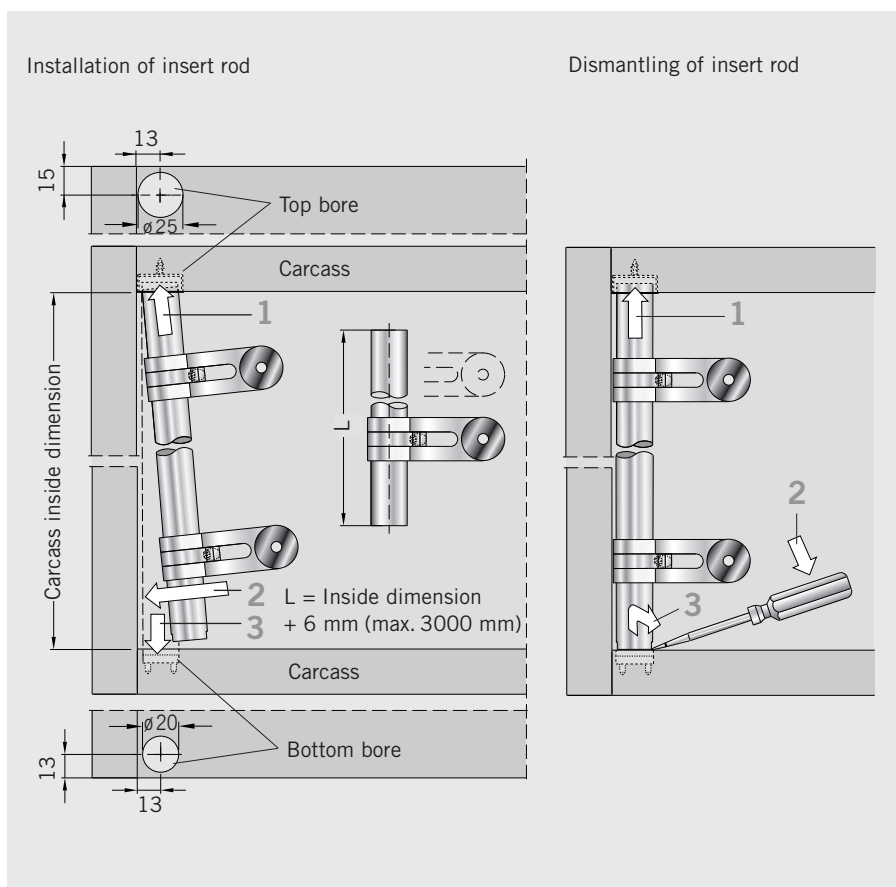
The inboard furniture hinge is attached inside the carcass with the insert rod and the inserts.

The mechanical design of the inserts enables them to be installed in the ready-assembled carcass.

The construction allows a door opening angle of 90°.

The glass thickness is down to a minimum of 6 mm, the door weight amounts to a maximum of 40 kg.





Installation of insert rod

Carcass preparations

Drill holes as per drawing.
Using a wood screw, fix the eccentric insert with the thin wall to the front in the hole of the upper shelf.
Place the anti-twist insert with the lug parallel with the front in the bottom hole of the bottom shelf and secure with the pins.
Use a pin punch to drive the pins home.

Preparing the insert rod

Slide the hinges onto the insert rod.
First insert the smooth/unmachined end of the insert rod fully into the top eccentric insert. Swing the insert rod into the carcass.
Insert the slotted end so that it fits into the bottom insert.
Push the insert rod down with sufficient effort to conceal the slot.

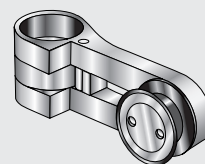
Installation of glass

Mount and align the glass door with the single-point fixings.
(Assembly dimension see page 62).

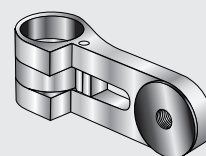
Dismantling of the insert rod

The bottom insert is clamped to the rod and thus prevents unintentional lifting and disengagement. In order to remove the rod, it has to be raised until a sharp-pointed tool (e.g. a flat-tipped screw-driver) can be placed between the insert and the insert rod.
The insert can then be levered out.
The rod can now be pulled forward and down to remove it. The glass thickness is down to a minimum of 6 mm, the door weight amounts to a maximum of 40 kg.

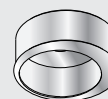
Ordering information



Inboard furniture hinge with single-point fixing
Art. No. 8.20.660.700.99



Inboard furniture hinge without single-point fixing
Art. No. 8.20.665.700.99



Top eccentric insert
Art. No. 8.20.745.700.99



Bottom insert
Art. No. 8.20.746.700.99

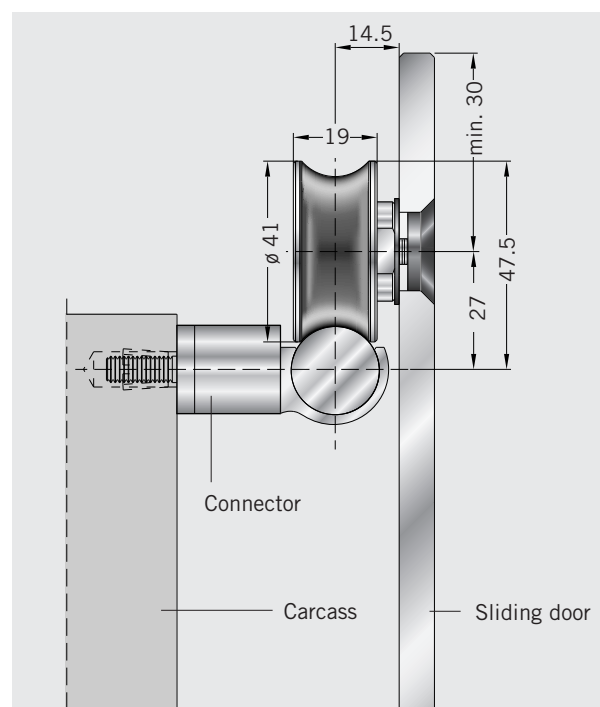
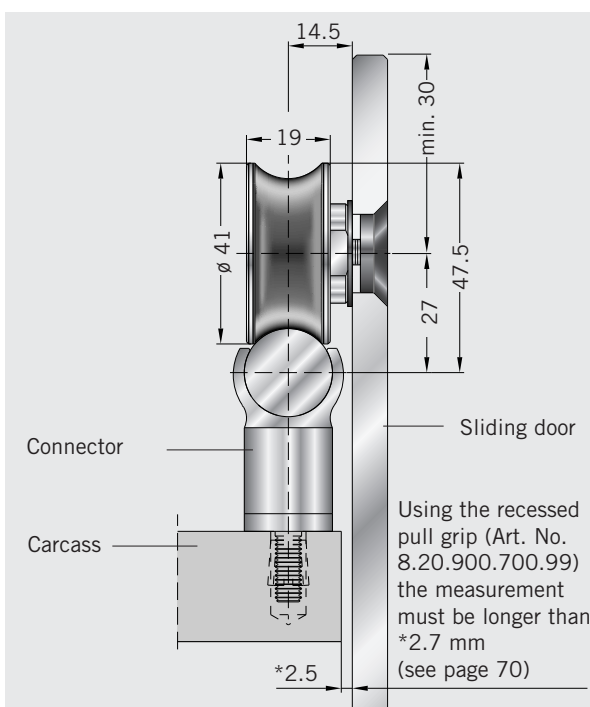
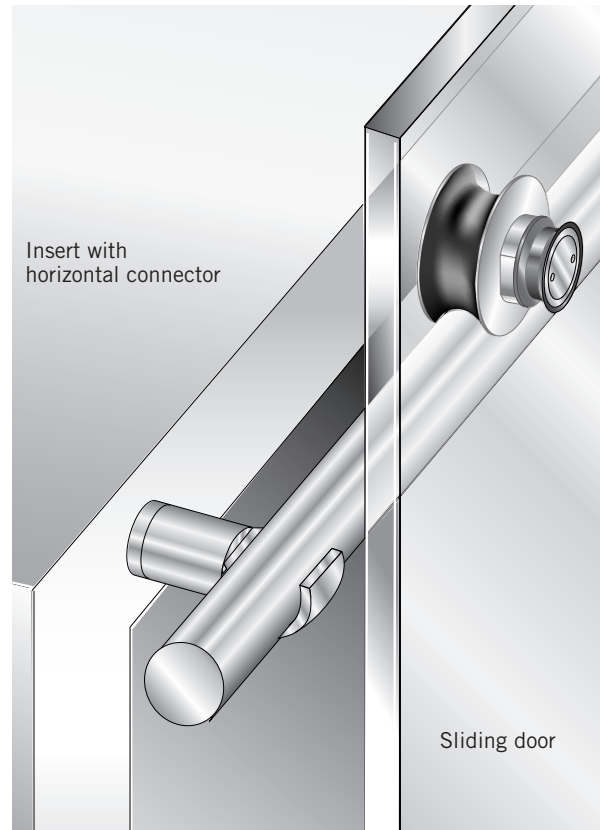


Insert rod
Art. No. 8.20.756.700.99

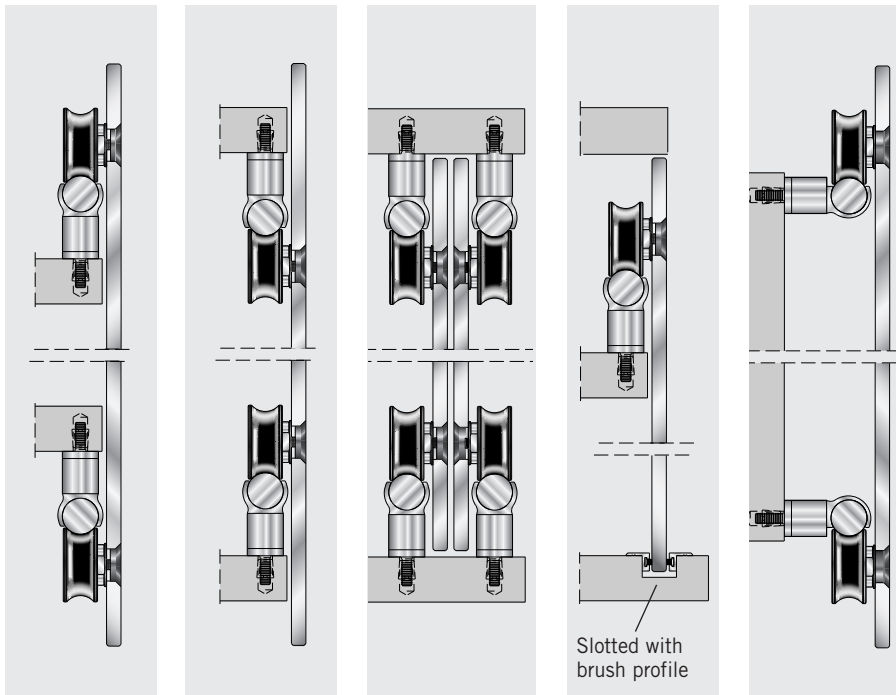
Sliding doors

In the MANET AMBIENT system, the roller is attached directly to the glass. It is aligned via oval-shaped holes in the single-point fixing, which is provided with a cap, as are all single-point fixings in the system. Accessories such as stops and brushes complement the range of components.

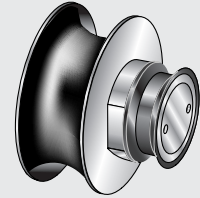
The glass thickness is down to a minimum of 6 mm, the door weight amounts to a maximum of 40 kg.



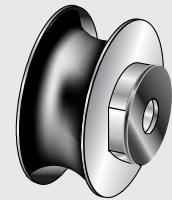
Installation examples



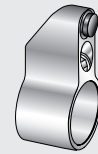
Ordering information



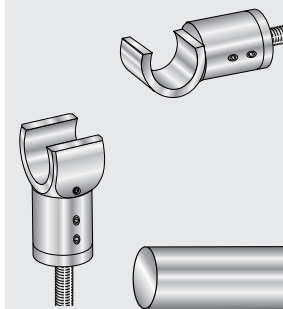
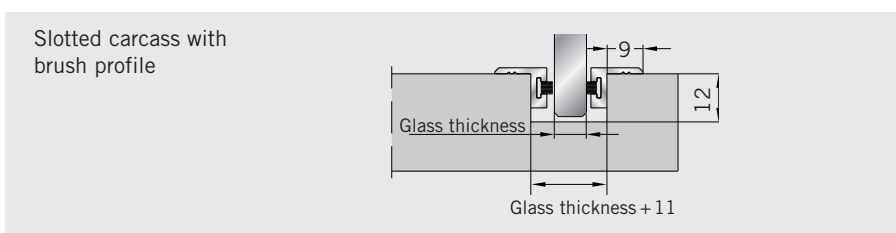
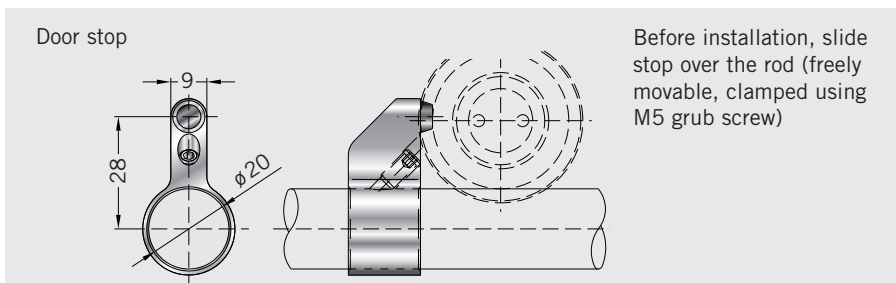
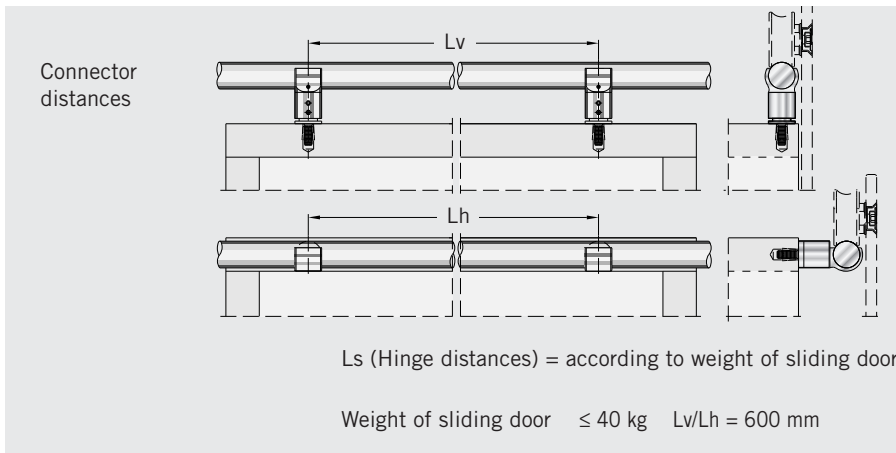
Roller with single-point fixing
Art. No. 8.20.650.700.99



Roller without single-point fixing, M6-thread
Art. No. 8.20.655.700.99

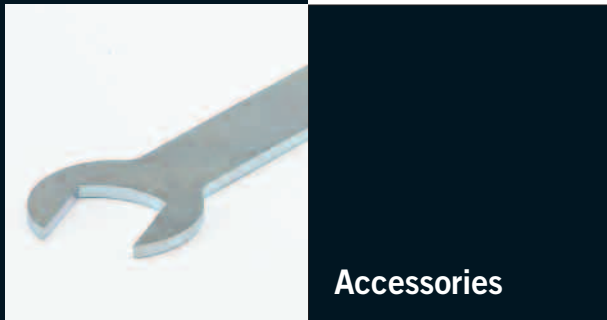


Door stop
Art. No. 8.20.790.700.99



Rods and connectors
see page 56 - 59

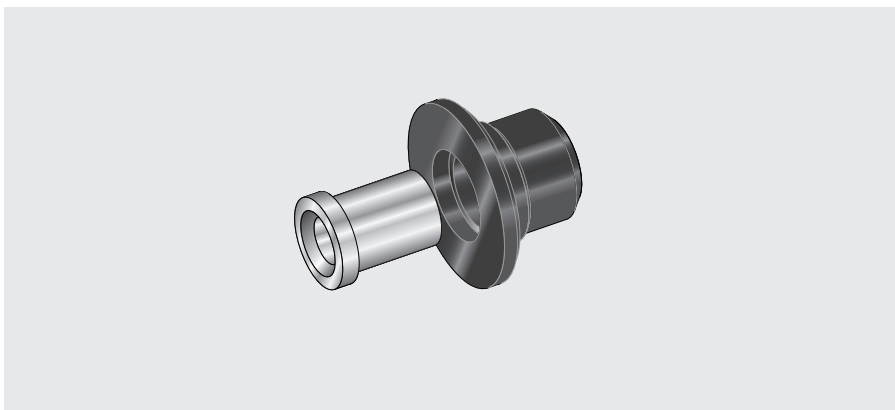
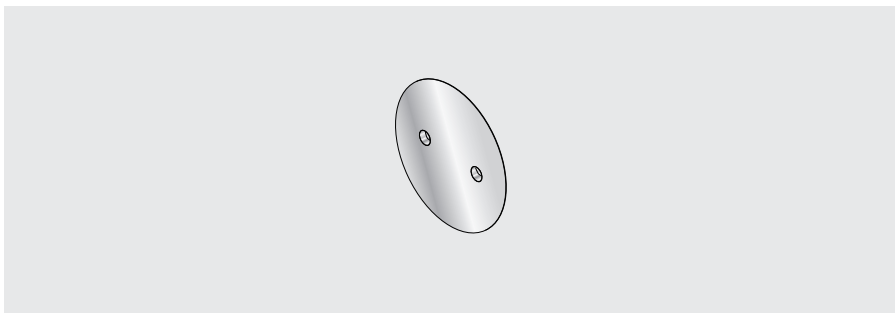




Inhalt

Accessories	68
Accessories for AMBIENT	69

Installation tools/accessories



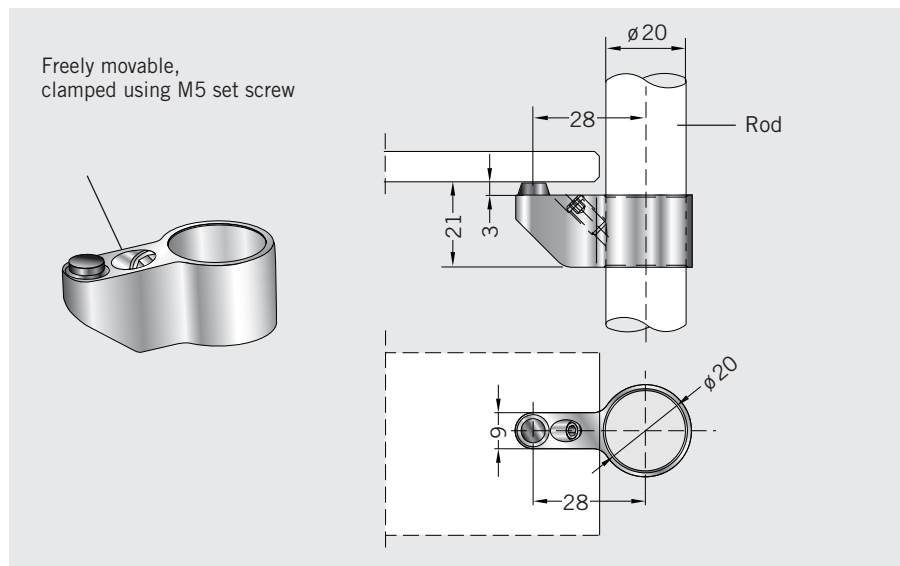
Ordering information

**Clip-on cover for
single-point fixing
with spring, 5 pieces**
Art. No. 8.29.217.700.99

**Assembling tool for
MANET single-point fixing**
(can also be used as attach-
ment for torque wrench)
Art. No. 8.21.137.000.99

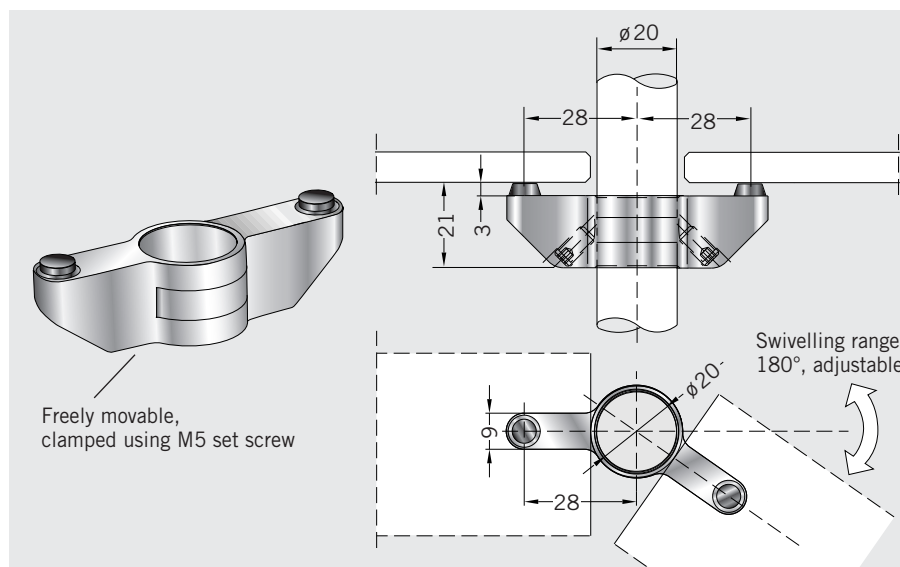
Sample case
Art. No. 8.21.995.000.99

Support for detachable shelf

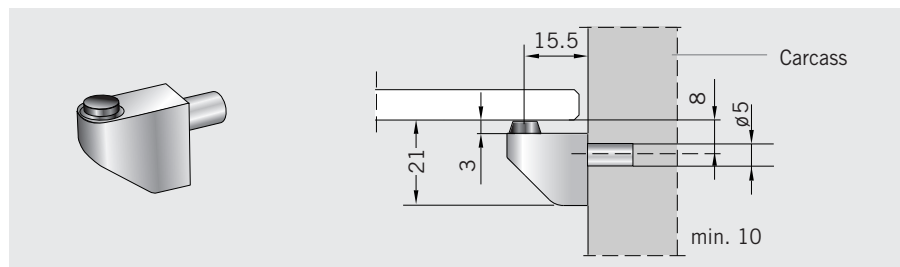


Ordering information

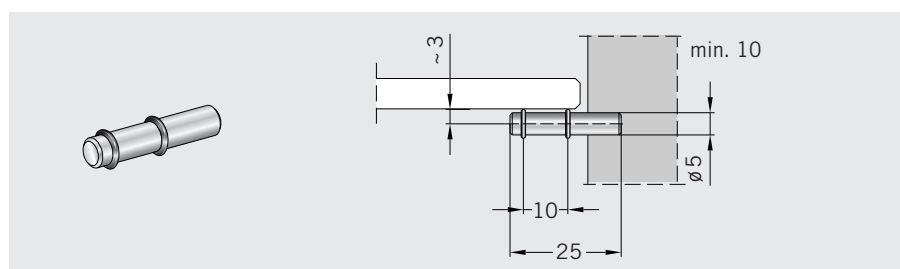
Shelf support/
door stop, sliding door
Art. 8.20.790.700.99



Shelf support, variable
Art. 8.20.801.700.99

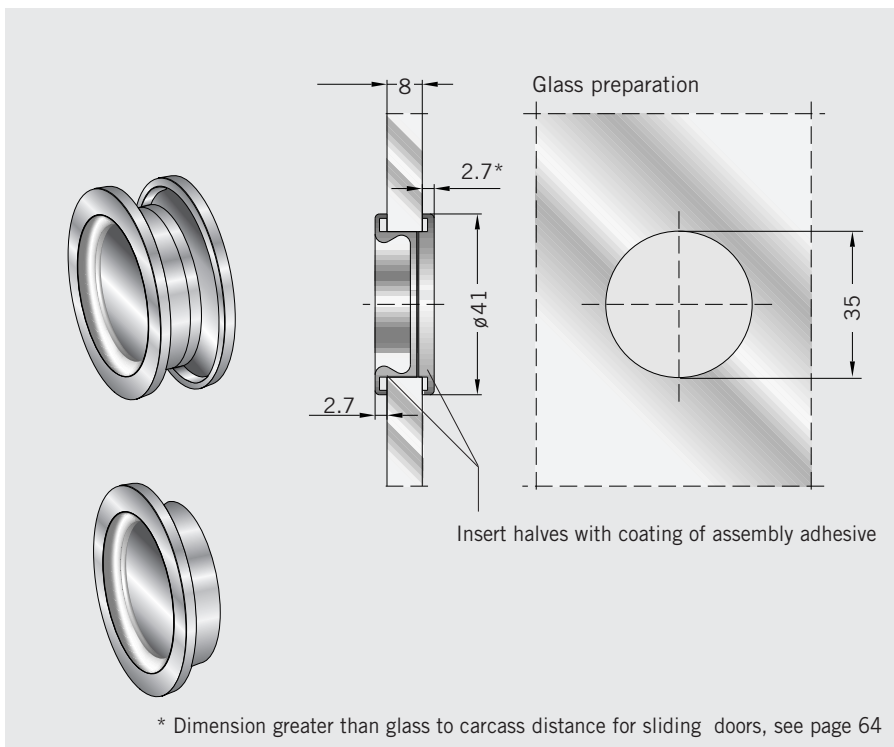


Plug-in shelf support/
door stop, pivoting door
Art. 8.20.802.700.99



Plug-in shelf support
round
Art. 8.20.815.700.99

Recessed pull grip

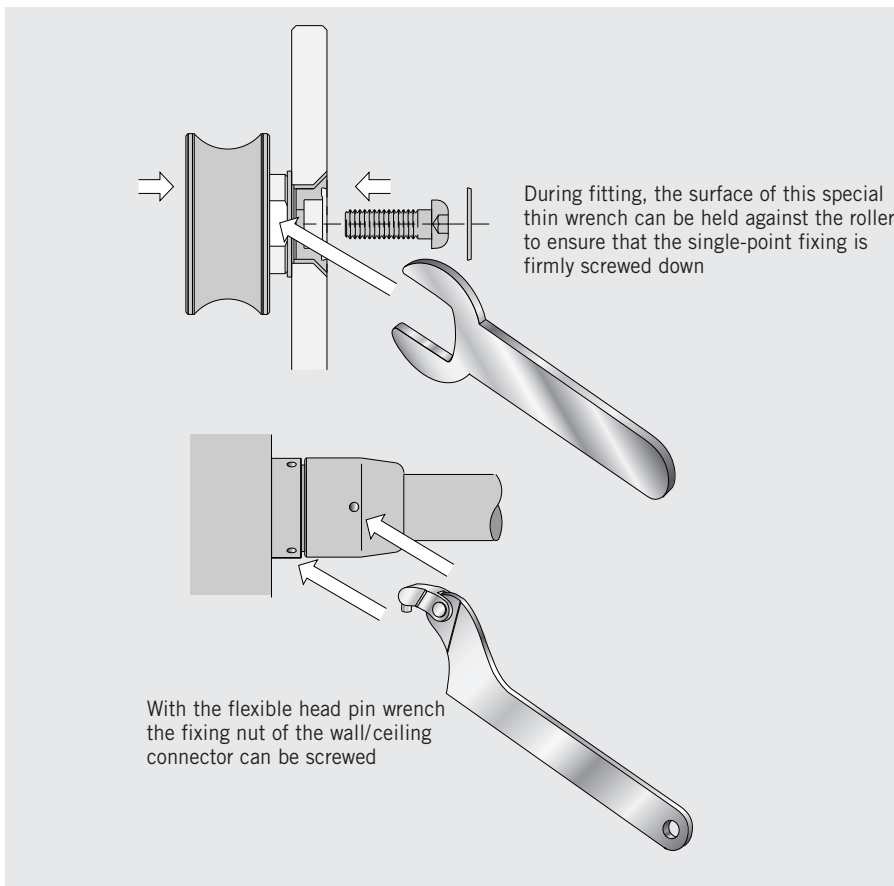


Ordering information

Recessed pull grip
for glass
Art. 8.20.900.700.99

Recessed pull grip
for timber
Art. 8.20.901.700.99

Special tools for fitting a roller with single-point fixing



Special wrench 20 mm
Art. 8.20.990.000.99

Flexible head pin wrench
Size ø 20 - ø 35
with 2.5 mm pin
Art. 8.20.991.000.99

Planning tool



For planning of intelligent glass solutions we offer you several planning tools which allow you to create secure and professional solutions for any kinds of glass doors and toughend glass assemblies.

The **planning tools DGES and MANET COMPACT** enable you to prepare designs and cost calculations quickly, reliably and professionally. The software provides you with all necessary documentation such as dimensioned technical drawings, glass sizes and preparation measures.

Your benefits:

- Easy to operate
- Professional and error-free preparation of offers
- Rapid response to incoming requests for quotations
- Highly reduced planning costs for time and money savings

DGES Fittings
(for internal doors and toughend glass assemblies),

Art. No. 800.51.249.6.32

DGES HSW (for horizontal sliding walls),

Art. No. 800.51.247.6.32

DGES Showers

(for glass shower cubicles),

Art. No. 600.51.600.9.03

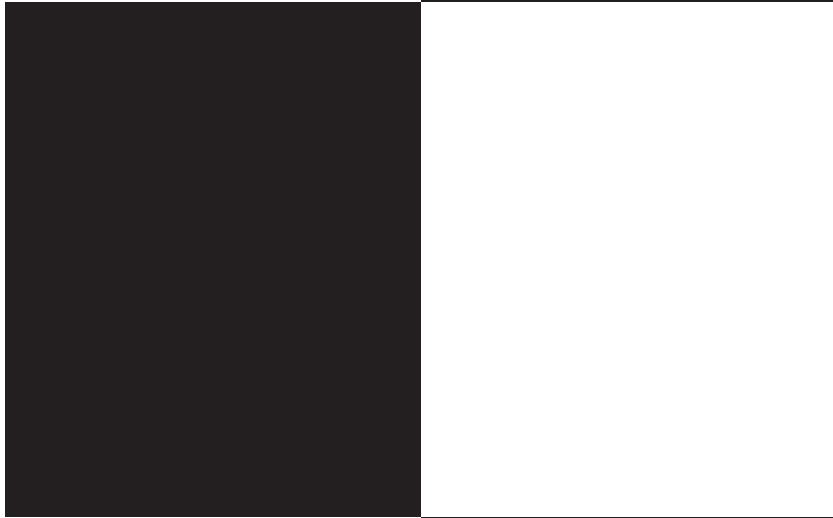
MANET COMPACT planning tool

(for MANET pivoting and sliding doors),

Art. No. 800.51.329.6.32

Subject to change without notice.

For practical planning, please use our drawings DORMA-Glas DETAIL.



DORMA GlasTec GmbH
Leonardo-da-Vinci-Weg 6 - 8
D-32760 Detmold
Tel. +49 5231 308030
Fax +49 5231 3080310
www.dorma-glastec.de