



FFT FFT-F

Automatic bi-folding
doors with approval
for application in
emergency exits and
escape routes accord-
ing to DIN 18650

Minimum space requirement, easy mounting, economical and safe

Whenever the door opening is narrow or if there is not much depth available – or both – then DORMA Automatic bi-folding doors may well be the ideal application. They ensure maximum utilisation of structural widths – with structural opening widths of almost the same dimension. They do not swing out when opened and their depth is only a quarter of the clear passage width.

The DORMA Automatic range of bi-folding doors includes not only FFT standard doors but also FFT-F doors with approval for application in emergency exits and escape routes. The system offers a wide range of sizes to ensure maximum cost-efficiency for various fields of application. The doors are supplied ready-to-install and may be installed and commissioned by a DORMA team if desired.

Convenient, reliable and safe

The electronically-controlled ES 90 and ES 90 FST operators are fully reliable to ensure smooth and fast opening and closing cycles. Furthermore, by continuously monitoring the passage area,

they also ensure maximum user safety. Thus the door panels remain stationary during user presence and are automatically stopped at the merest contact with an obstruction.

Integrated seals provide effective protection against heat loss and draught. The jam-free hinges operate free of noise. No floor guide is required for doors with clear passage widths below 1,500 mm.

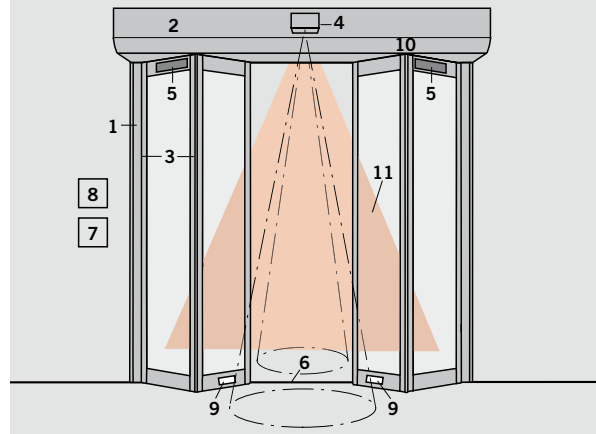
For emergency exits and escape routes

Under the designation FFT-F DORMA Automatic offers bi-folding doors equipped with an electronic expansion module (EM 5), a redundant operator system and a special radar motion detector. These doors have the German type approval (according to DIN 18650) for application in emergency exits and escape routes with opening widths from 900 to 2,000 mm.



DIN 18650

Construction and scope of delivery

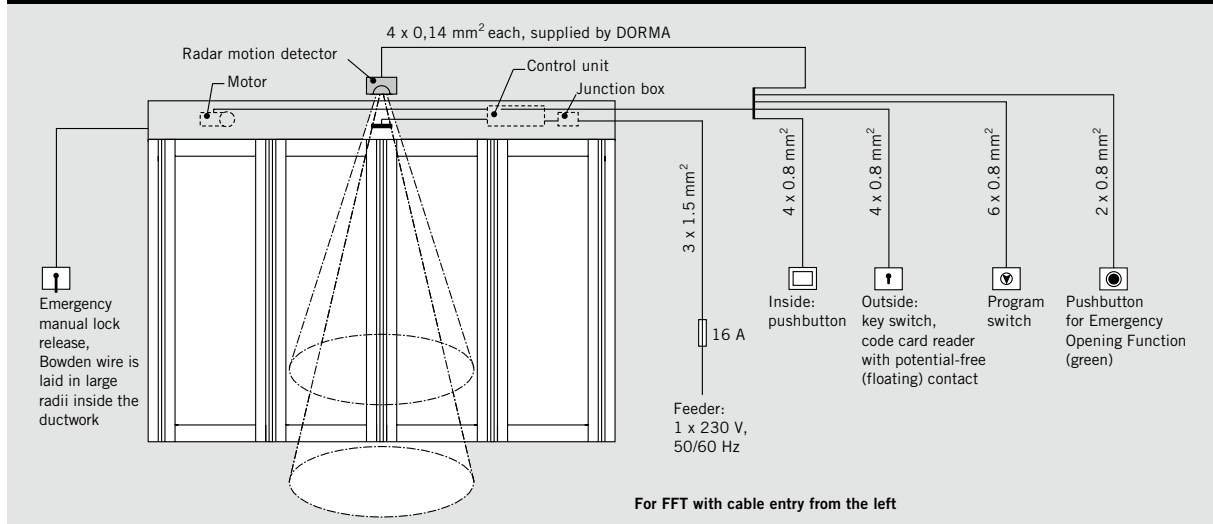


- | | |
|---|---|
| <ul style="list-style-type: none"> 1 Door frame with mounting profile 2 Fully-enclosed operator with integrated electronic control unit 3 Door panels with double-glazing (further glazings or panellings on request) 4 Activator, e. g. radar motion detector 5 Infrared detector for FFT systems with clear passage widths > 1,400 mm | <ul style="list-style-type: none"> 6 Floor guide (recommended for clear passage widths > 1,500 mm) 7 Program switch 8 Emergency manual lock release (optional) 9 Floor locking device (optional) 10 Bolt locking device 11 Light curtain to monitor the passage area |
|---|---|

Features and benefits

- Perfectly suitable for narrow passages
- System requires almost no lateral space
- Easy to install and upgrade
- Jam-free profiles
- High safety standard
- Low-noise operation
- Door panels do not swing out
- Minimum space requirement while open
- Free floor area
- Very economical and reliable
- Quality-assured manufacture
- Also suitable for emergency exits and escape routes (FFT-F)

Wiring diagram for DORMA FFT-F



Dimensions and versions	FFT	FFT-F
Clear passage width (LW)	800 – 2,000 mm	900 – 2,000 mm
Clear passage height (LH)	2100 – 2,500 mm	
Glazing thickness: 20 mm		
Safety double-glazing		●
Adjustable floor guide		
– for LW < 1,500 mm	○	
– for LW ≥ 1,500 mm		●
Operator dimensions		
– Height	200 mm	200 mm
– Depth	237 mm	260 mm
Operator cover with rounded edges		●
Operator cover with square edges		○
Fanlight		○
Opaque panel		○
Jam-free double-glazing profile system (G-Iso)		●
Door panels with encapsulated bearings		●

Drive and control unit	FFT	FFT-F
Operator	ES 90	ES 90-FST
Expansion module EM 4	●	–
Expansion module EM 5	–	●
Version with reinforced toothed belt		●
Activation by intrinsically-safe activator in escape direction	–	●
Short-circuit proof switching power supply unit		●
Microprocessor control		●
Function programs		
– OFF		●
– AUTOMATIC		●
– PERMANENT OPEN		●
– EXIT ONLY		●
– Night-/Bank Function		●
Connection for airlock control	○	–
Delayed opening for check/code card reader or key switch		○
Self-learning		●
Automatic reversing		●
– Fail-safe	■	●
– Fail-secure	■	–
Connection for access control system		●
Bell contact		●
Door status indicator		○

Optional equipment	FFT	FFT-F
Locking device		
– with electromechanical bolt locking device	○	○*
– with manual lock release	○	○*
Floor locking device		
– clear opening widths from 1,300 to 1,500 mm: strike plate	○	○*
– clear opening widths > 1,500 mm: strike plate, no floor guide rail	○	○*
Rechargeable battery pack		●
USV emergency power supply unit		○

*As the use of the locking device disengages the escape route function, only authorised staff is allowed to lock the door.

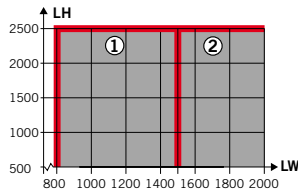
Technical specifications	FFT	FFT-F
,Approval for application in emergency exits and escape routes	–	●
Continuously adjustable opening and closing force max. 150 N		●
Parameter adjustment		●
Continuously adjustable opening speed	100 – 600 mm/s	
Continuously adjustable closing speed	100 – 550 mm/s	
Continuously adjustable low (creep) speed	30 – 90 mm/s	
Continuously adjustable hold-open time	0 – 180 s	
Emergency opening via spring force	–	●
Supply voltage, frequency	230 V, 50/60 H	
Power consumption		
– max.	360 W	
– average	30 W	
Power supply for external components	24 V, 2 A	
Class of protection	IP 20	
Admissible humidity: 93 % relative humidity, non-condensing, adm. temperature:	–20 °C bis +50 °C	
TÜV type-approved		●
Compliant with the low-voltage directive		●
Manufactured to ISO 9000		●

● standard ○ optional ■ alternatives

Please note: If the pressure inside and outside the building varies considerably, a technical check is required to ensure that all functions work properly.

Wall installation

FFT (double-panel version)

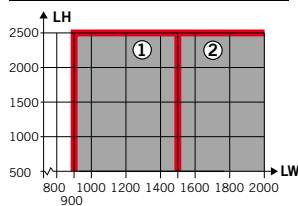


Glazing:

- ① LW = 800 – 1500 mm
2 x LSG, each 6 mm
(3 + 3) / 8 / (3 + 3)
(float glass)
- ② LW = 1500 – 2000 mm
2 x TSG, each 4 mm
4/12/4 mm

In accordance with DIN 18650, doors with a clear passage width of more than 1400 mm are equipped with sensors at the door panels

FFT-F (double-panel version)



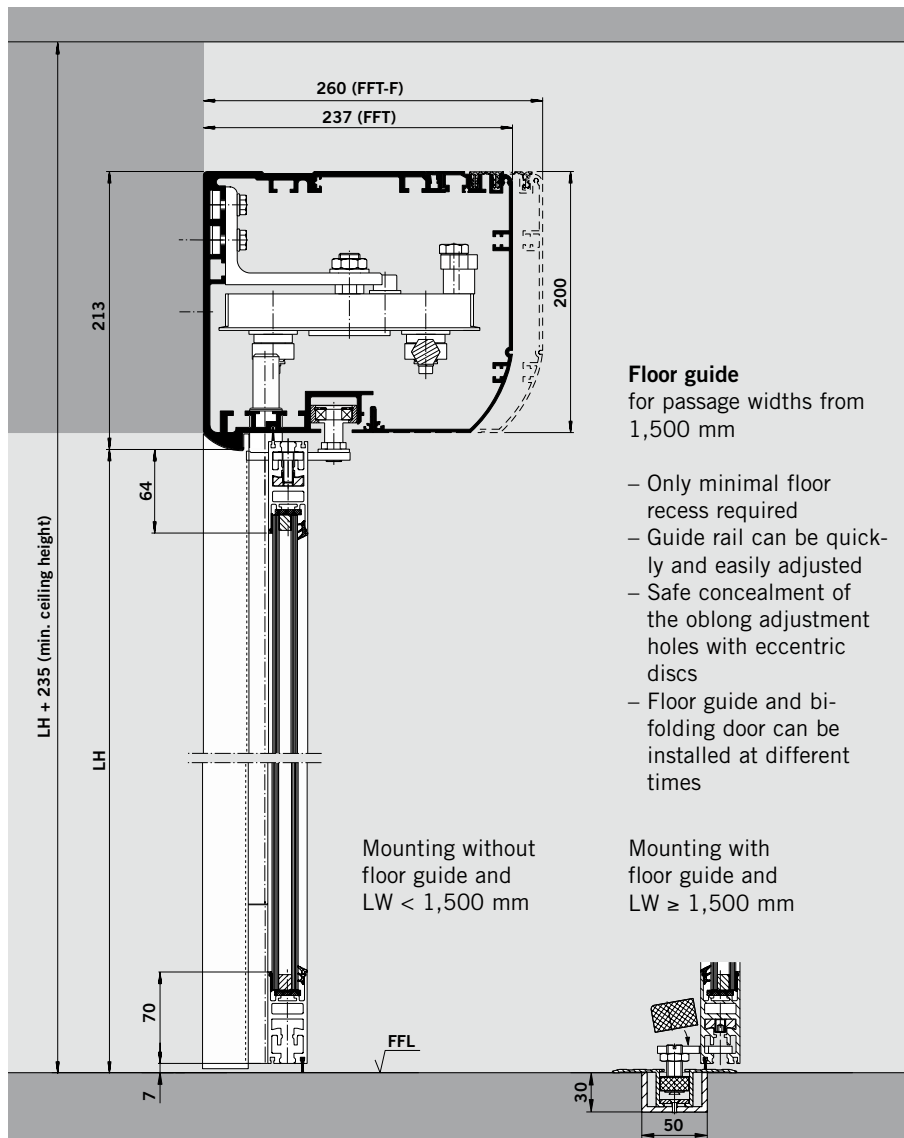
Glazing:

- ① LW = 900 – 1,500 mm
2 x LSG, each 6 mm
(3 + 3) / 8 / (3 + 3)
(float glass)
- ② LW = 1500 – 2000 mm
2 x TSG, each 4 mm
4/12/4 mm

In accordance with DIN 18650 always without sensors at the door panels

FFT-F for emergency exits and escape routes

- LW = Clear passage width
- LH = Clear passage height
- B = System width
- C = Overall distance between open, folded door panels
- D = Depth of open, folded panels
- X = Minimum distance to IR-sensor: 250 mm

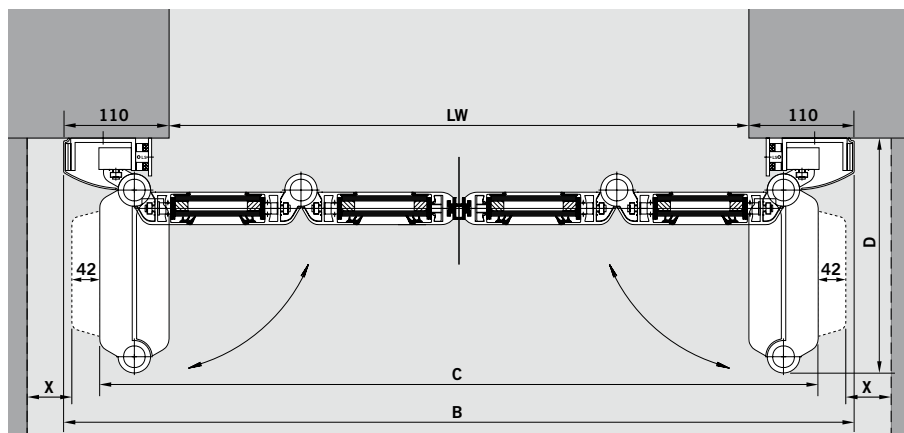


Floor guide

- for passage widths from 1,500 mm
- Only minimal floor recess required
- Guide rail can be quickly and easily adjusted
- Safe concealment of the oblong adjustment holes with eccentric discs
- Floor guide and bi-folding door can be installed at different times

Mounting without floor guide and LW < 1,500 mm

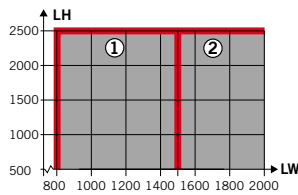
Mounting with floor guide and LW ≥ 1,500 mm



Wall installation FFT			FFT-F											
LW		800	900	1000	1100	1200	1300	1400	1500	1600	1700	1800	1900	2000
B	B = LW + 220	1020	1120	1220	1320	1420	1520	1620	1720	1820	1920	2020	2120	2220
C	C = LW + 144	944	1044	1144	1244	1344	1444	1544	1644	1744	1844	1944	2044	2144
D	D = LW/4 + 87	1287	1312	1337	1362	1387	1412	1437	1462	1487	1512	1537	1562	1587

Corridor installation

FFT (double-panel version)

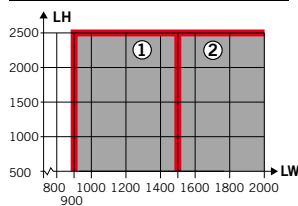


Glazing:

- ① LW = 800 – 1,500 mm
2 x LSG, each 6 mm
(3 + 3) / 8 / (3 + 3)
(float glass)
- ② LW = 1500 – 2000 mm
2 x TSG, each 4 mm
4/12/4 mm

In accordance with DIN 18650, doors with a clear passage width of more than 1400 mm are equipped with sensors at the door panels

FFT-F (double-panel version)



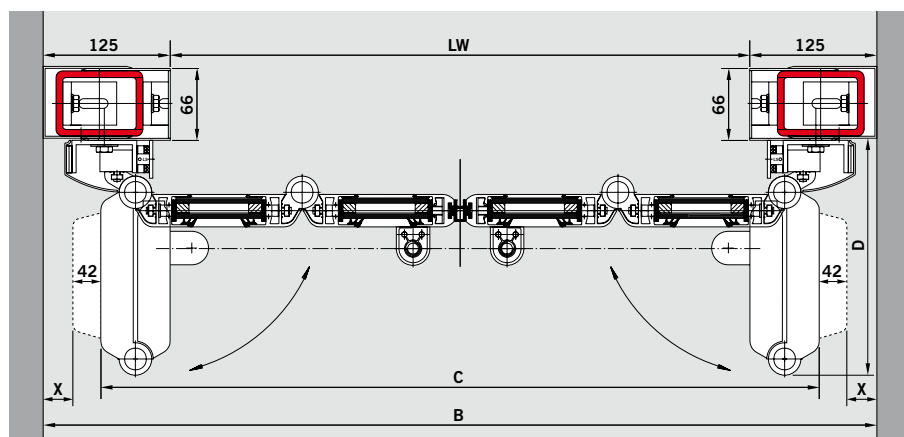
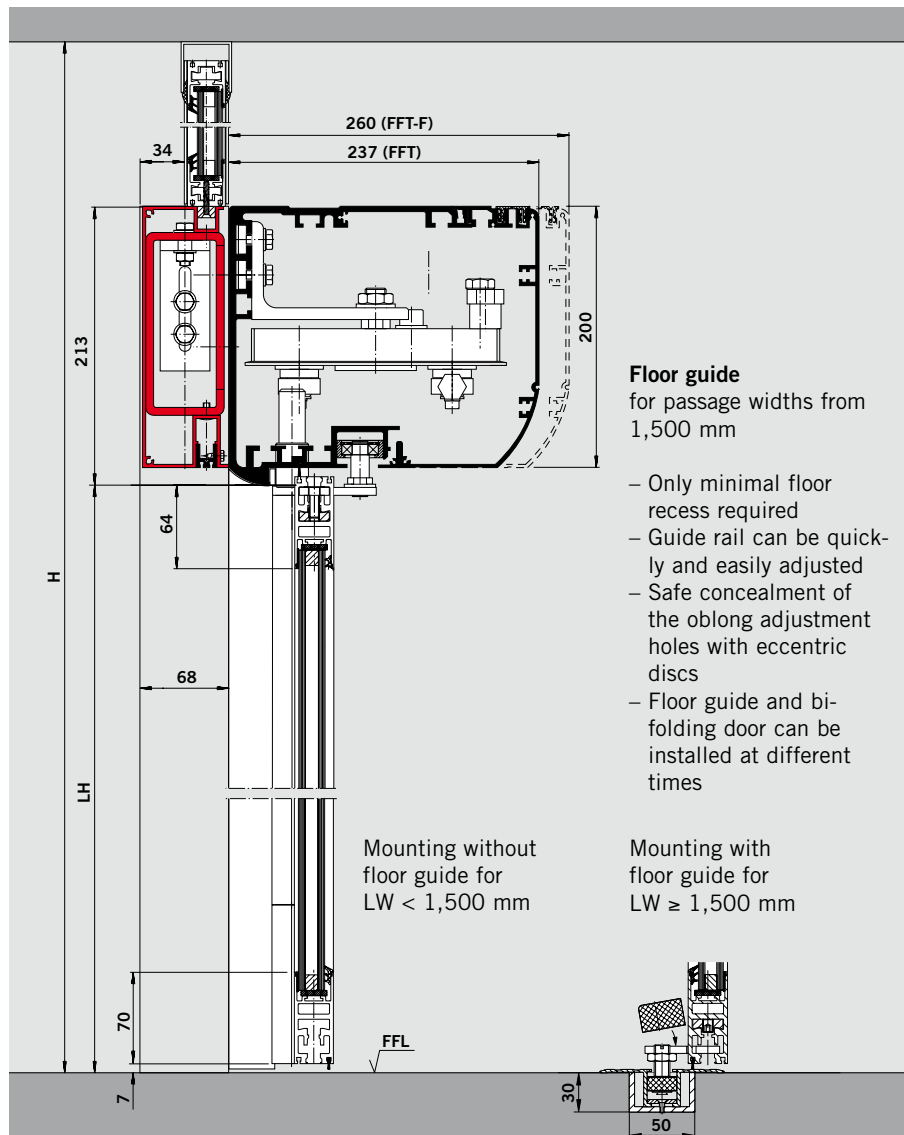
Glazing:

- ① LW = 900 – 1,500 mm
2 x LSG, each 6 mm
(3 + 3) / 8 / (3 + 3)
(float glass)
- ② LW = 1500 – 2000 mm
2 x TSG, each 4 mm
4/12/4 mm

In accordance with DIN 18650 always without sensors at the door panels

FFT-F for emergency exits and escape routes

- LW = Clear passage width
- LH = Clear passage height
- B = System width
- C = Overall distance between open, folded door panels
- D = Depth of open, folded panels
- X = Minimum distance to IR-sensor: 250 mm



Corridor installation FFT			FFT-F											
LW		800	900	1000	1100	1200	1300	1400	1500	1600	1700	1800	1900	2000
B	$B = LW + 250$	1050	1150	1250	1350	1450	1550	1650	1750	1850	1950	2050	2150	2250
C	$C = LW + 144$	944	1044	1144	1244	1344	1444	1544	1644	1744	1844	1944	2044	2144
D	$D = LW/4 + 87$	1287	1312	1337	1362	1387	1412	1437	1462	1487	1512	1537	1562	1587

Program switches



- External installation
- As flush-/surface-mounted system
- Lockable/rotary knob
- Suitable for standard flush-mounted boxes
- May be integrated in a double frame with an Emergency Off switch

EPS-S



- Flush-/surface-mounted key switches
- Full-electronic program switch in System 55 design
- 5-position, lockable via code or an additional TL-ST S55 key switch
- Membrane keypad, aluminium-coloured, white

Pushbuttons/switches



- As flush-/surface-mounted system
- Stainless-steel finishes
- Water-resistant models
- Keypads for access control systems
- Pushbuttons/switches

Activ8 One ON



Designed to open and to safeguard automatic sliding doors. Opening of sliding doors via radar detector, monitoring of main closing edge and secondary closing edges via active infrared sensors

Radar motion detector



- Eagle system
- Directionally sensitive, with self-monitoring function or as standard version
- No effect on pacemakers thanks to its very low output of just approx. 2 mW
- No interference from mobile phones

EPS-FST



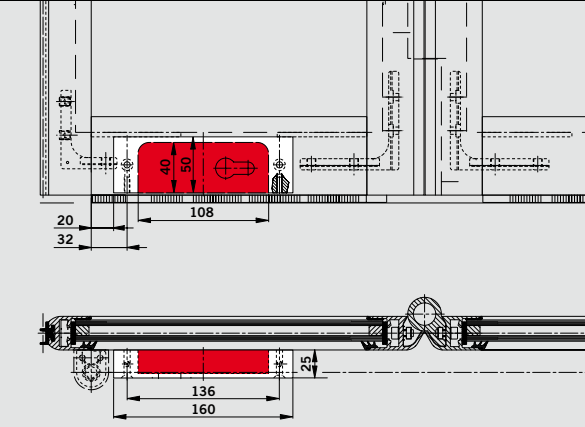
- Full-electronic program switch in System 55 design
- 5-position, lockable via code or an additional TL-ST S55 key switch
- Membrane keypad, aluminium-coloured, white

IRS-4 active infrared safety sensor



DORMA IRS-4-35
with one sensor,
length: 350 mm
German type approval in accordance with DIN 18650

Lock case with floor locking device



- Reliable locking action; only for versions without floor guide rail



DORMA GmbH + Co. KG
DORMA Platz 1
D-58256 Ennepetal
Phone +49 2333/793-0
Fax +49 2333/793-495

Division Automatic worldwide

Region Australasia

Australia
DORMA Automatics Pty. Ltd.
Phone +61 3 8795 0666
www.dorma.com.au

New Zealand
DORMA HORIZON NZ LTD
Phone +64 9 573-1999
www.dorma.com.nz

Region Central Europe

Belgium
DORMA foquin N.V./S.A.
Phone +32 50 451570
www.dorma.be

Germany
DORMA Automatic
GmbH + Co. KG
Phone +49 2333 793-0
www.dorma.de

Luxembourg
Luxembourg Subsidiary
Automatic
Phone +49 2333 793-216
www.dorma.de

Netherlands
DORMA Nederland B.V.
Phone +31 488 418100
www.dorma.nl

Switzerland
DORMA Schweiz AG
Phone +41 718864646
www.dorma.ch

Region Emerging Markets

Bulgaria
DORMA-BALKAN EOOD
Phone +359 2 9714 904
www.dorma.com

Greece
DORMA Representation Greece
Phone: +30 21 09944388
www.dorma.com

India
DORMA Door Controls India
Pvt. Ltd.
Phone +91 44 28585097
www.dorma.com

Israel
DORMA GmbH + Co. KG
Phone +49 2333 793-0
www.dorma.com

Poland
DORMA Polska sp. z o.o.
Phone +48 22 7365900
www.dorma.pl

Russia
DORMA Russia
Phone +7 495 981-1433
www.dorma.rus

South Africa
DORMA Door Controls (Pty.) Ltd
Phone +27 11 8300280
www.dorma.com

Turkey
DORMA Kapi Kontrolleri Ltd.
Sti Sahraticecid Mah.
Phone: +90 216 3600056
www.dorma.com

Ukraine
DORMA Sales Representative
Vasyl Stuchylin
Phone +38 44 5183526
www.dorma.com

Region China

China
DORMA China Ltd.
Phone +86512 67612481
www.dorma.com.sg

Hong Kong
DORMA Door Controls (Suzhou)
Co., Ltd.
Phone +852 25034632
www.dorma.com.sg

Region Far East

Indonesia, Japan, Malaysia,
Vietnam
DORMA Emerald Entrance
Systems Pte Ltd
Phone +65 459 5733
www.dorma.com.sg

Philippines
DORMA Door Controls Pte. Ltd.
Phone +632 893 4077/8
www.dorma.com.sg

Singapore
DORMA Far East Pte. Ltd.
(Sales)
Phone +65 64151898
www.dorma.com.sg

South Korea
DORMA Emerald Entrance
Systems Pte Ltd
Phone +65 459 5733
www.dorma.com.sg

Taiwan
DORMA Door Controls Pte. Ltd.
Phone +886 2 9182987
www.dorma.com.sg

Region France

France
DORMA Accueil S.A.S.
Phone +33 4 79348924
www.dorma.fr

Region Gulf

Saudi Arabia
DORMA Arabia Automatic
Doors Ltd.
Kingdom of Saudi Arabia
Phone +9663 847 2394
www.dorma.com

United Arab Emirates
DORMA Gulf Door Controls
FZE
Dubai, United Arab Emirates
Phone +971 48 839014
www.dorma.com

Region North America

Canada
DORMA Door Controls
Phone +1 905 6701281
www.dorma.com

Mexico
DORMA México, S. de R.L.
de C.V.
Phone +52 55 5272-6937
www.dorma.com

USA
DORMA Automatics Inc.
Phone +1 847 295-2700
www.dorma-usa.com

Region Scanbalt

Denmark
DORMA Danmark A/S
Phone +45 44 543000
www.dorma.dk

Estonia
DORMA Representation
Estonia
Phone +372 6707064
www.dorma.com

Finland
DORMA Finland Oy
Phone +358 9 8789130
www.dorma.fi

Lithuania
DORMA Norge AS
Phone +47 23 176800
www.dorma.com

Norway
DORMA Norge AS
Phone +47 23 176800
www.dorma.no

Sweden
DORMA Sverige AB
Phone +46 31 289520
www.dorma.se

Region South America

Argentina
DORMA Sistemas de
Controles para Portas Ltda
Phone +54 11 45051032
www.dorma.com

Brazil
DORMA Sistemas de Controles
para Portas Ltda.
Phone +55 11 46899128
www.dorma.com.br

Region South-East Europe

Austria
DORMA AKS
Automatic GmbH
Phone +43 6225 8636-0
www.dorma.at

Croatia
DORMA Croatia d.o.o.
Phone +385 0 1 46 06 944
www.dorma-croatia.hr

Czech Republic
DORMA dverni technika CR,
s.r.o.
Phone +420 2 671321-78
www.dorma.com

Hungary
DORMA AKS Automatic GmbH
Phone +36 1 2065127
www.dorma.com

Romania
DORMA Romania S.R.L.
Phone +40 31 806 916 0
www.dorma.com

Slovakia
DORMA Slovensko spol. s.r.o.
Phone +421 2 50221-283
www.dorma.com

Slovenia
DORMA Representation
Slovenia ICL d.o.o.
Phone +386 2 5302010
www.dorma.com

Region South Europe

Italy
DORMA Italiana S.r.l.
Phone: +39 039 244031
www.dorma.it

Portugal
DORMA Portugal
para Portas, Lda.
Phone +351 252 860490
www.dorma.com

Spain
DORMA Ibérica, S.A.
Phone +34 91 8757850
www.dorma.es

Region UK/Ireland

Ireland
DORMA Ireland Limited
Phone +353 1 295-8280
www.dorma.com

Great Britain
DORMA UK Limited
Phone +44 1462 477600
www.dorma-uk.co.uk



Door Control



Automatic



Glass Fittings



Security (STA)



Movable Walls