

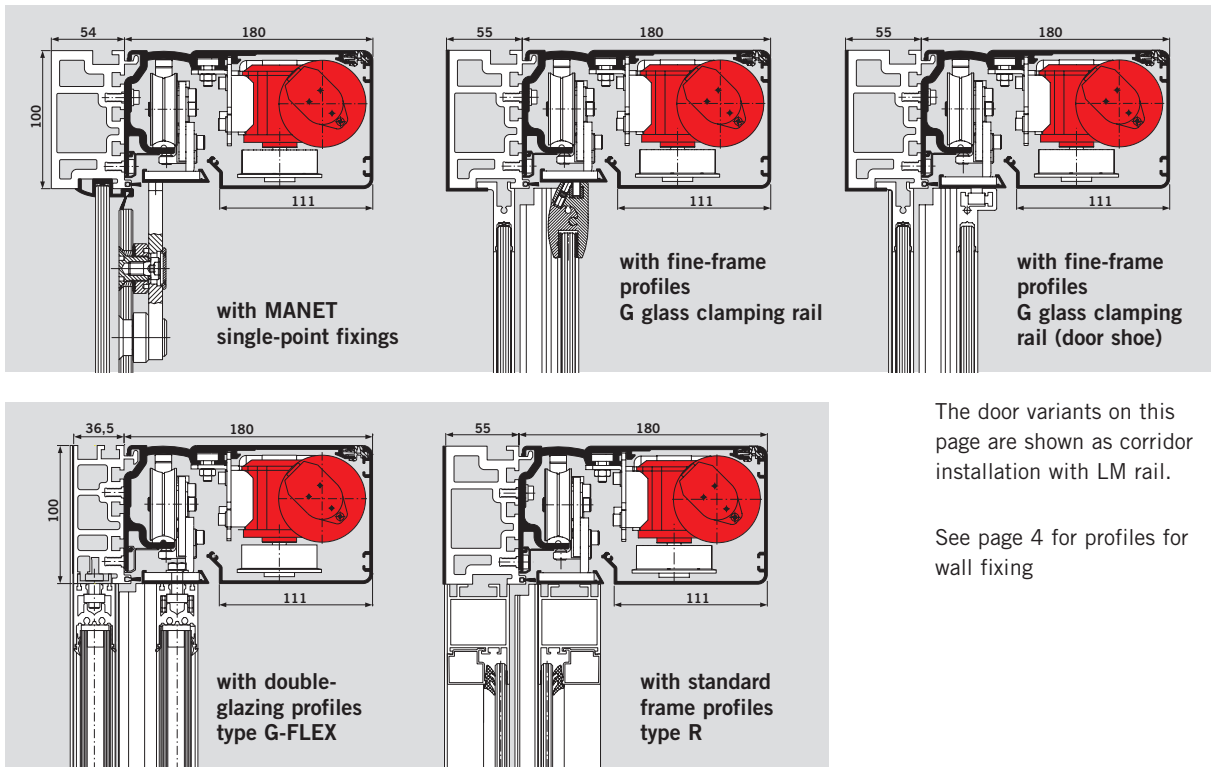


ES 200 *Easy*

Sliding door operator

ES 200 *Easy* – the drive for individual door design

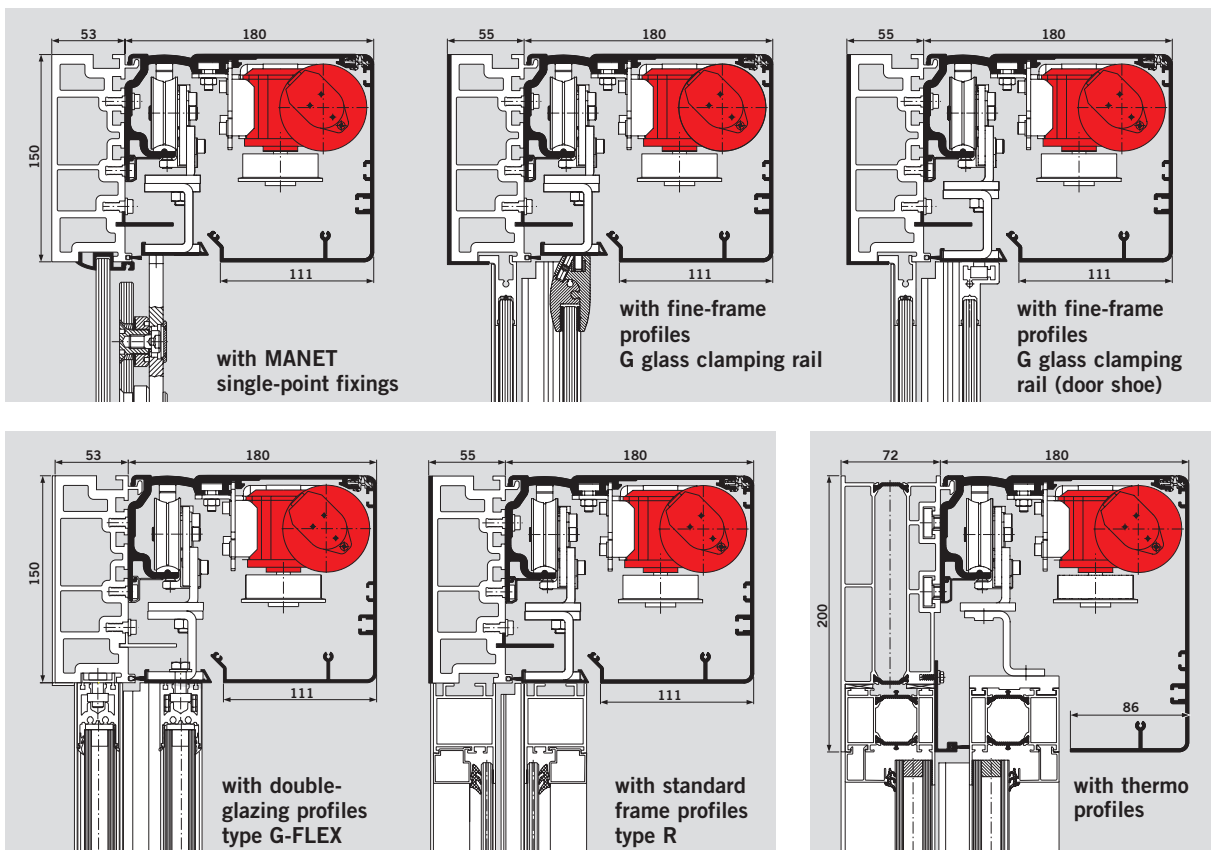
Door variants with ES 200 *Easy*, 100 mm height



The door variants on this page are shown as corridor installation with LM rail.

See page 4 for profiles for wall fixing

Door variants with ES 200 *Easy*, 150 mm height and special version "heat insulated profile"



Flexible, simple and modular

It is time to rethink sliding door operators.

The new **ES 200 Easy** in the attractive DORMA design stands for simple automation of sliding door units in all areas of application.

It is the innovative drive system for door units up to 2 x 100 kg, is of modular construction with world-wide tried and trusted electronics and new mechanics comprising only a few components and can be used for both 100 and 150 mm height. The prefabricated **MiniDrive Unit** is also impressive; it is tested industrially with all the necessary electrical and electronic components.

The optimum solution for all customers who value simply assembly, low storage costs and ease of maintenance.

High quality, excellent cost-effectiveness

DORMA offers a particularly cost-effective sliding door operator in the tried and trusted DORMA quality with the new **ES 200 Easy**. The basic version of the ES 200 sliding door operator is suitable for vastly differing applications and can be combined with all customary door profiles. It offers a number of adjustment possibilities, has excellent operation characteristics and is easy to maintain.

The self-learning microprocessor controller guarantees reliable operation, ensures dynamic and smooth movements and fulfils the highest safety requirements according to all European and German standards.

The setting of all parameters is carried out quickly and easily via an integrated display with push-buttons. Operation is extremely simple and menu-assisted. Additional programming equipment is not required.

DORMA supplies, as the optimum supplement, program switches and pulse senders as well as door profiles specially matched to the drive.

Features and advantages

- Modular, flexible system
- For door units up to 2 x 100 kg
- Problem-free adaptation to individual requirements
- Low number of system components
- Industrially prefabricated and tested **MiniDriveUnit**
- Easy assembly of drive systems
- Multi-functional control, commissioning without programming equipment
- Easy fixing and commissioning
- Can be combined with all customary door profiles
- Reliable function and high safety standards
- Smooth movement
- Complete program at program switches
- Numerous standard connections
- Reliable investment due to compliance with all relevant European standards

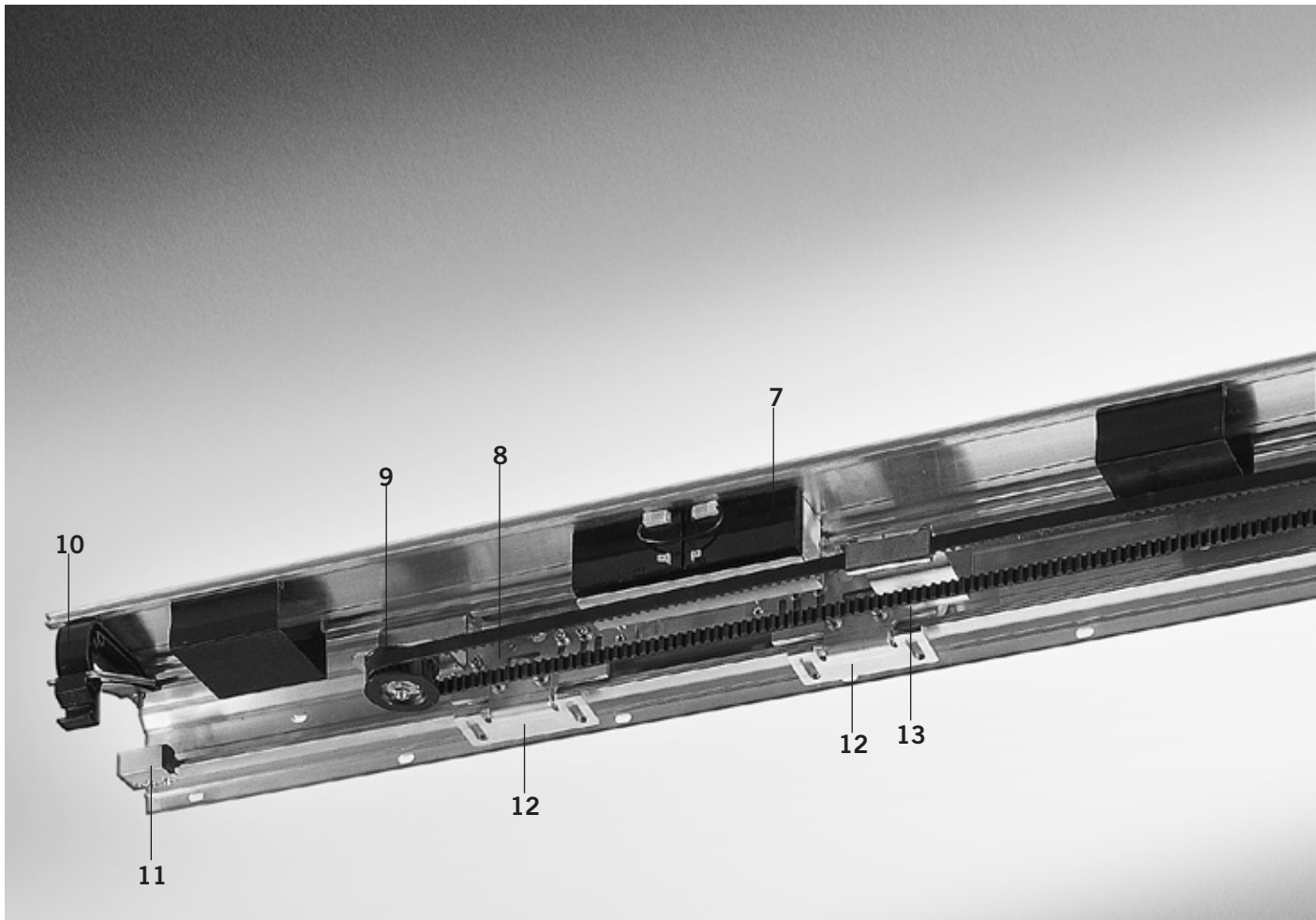
Door parameters	ES 200 Easy
1-panel sliding door	
– Transit width LW	700 – 3000 mm
– Door panel weight, max.	1 x 120 kg
2-panel sliding door	
– Transit width LW	800 – 3000 mm
– Door panel weight, max.	2 x 100 kg
Technical data	
Height	100 und 150 mm
Depth	180 mm
Opening and closing force max. 150 N	●
Opening speed (incremental setting)	10 – 50 cm/s
Closing speed (incremental setting)	10 – 40 cm/s
Hold-open time	0,5 – 30 sec.
Mains voltage, frequency	230 V, 50/60 Hz
Power consumption	180 W
International protection	IP 20
Tested according to low-voltage guidelines	●
Manufacture according to ISO 9001:2000	●

- standard
- optional

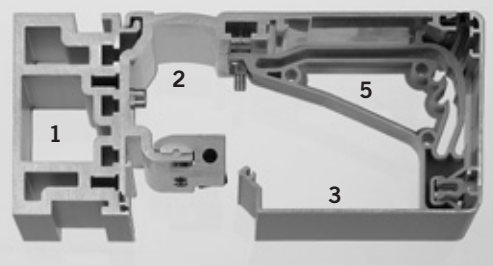
Control unit	
Microprocessor controller	●
Functional programs	
– Off	●
– Automatic	●
– Permanent open	●
– Partial open	●
– Exit only	●
– Night-bank switch	●
Emergency off	●
Self-learning	●
Automatic reversing	●
Connection for bistable electro-mechanical locking	●
Connection for light barriers (max. 2 pairs)	●
Setting of basic parameters via integrated display and push-buttons	●
Emergency opening or closing (with use of battery pack)	●
24 V output for external consumption	●
Read-out error store with error codes	●

Additional equipment

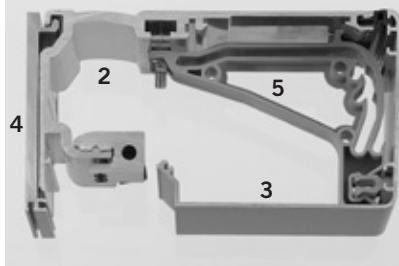
Electro-mechanical locking (bistable)	○
Manual unlocking for electro-mechanical locking	○
Light barriers	○
Battery pack (emergency opening, emergency closing)	○
Emergency power module USV	○
Module for coupling to EIB buildings control systems	○



Profiles for corridor installation, 100 mm



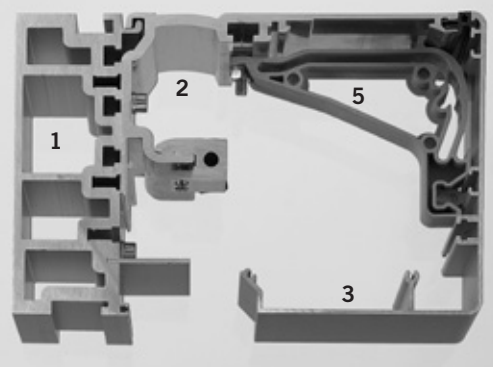
Profiles for wall fixing, 100 mm



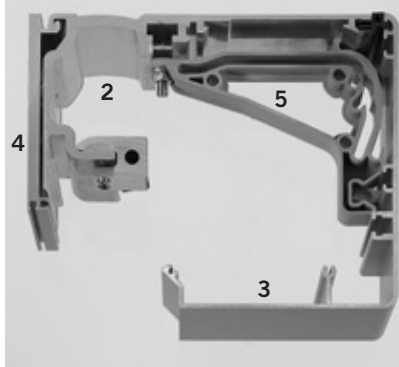
Profile for 100 mm and 150 mm height, for corridor or wall fixing guarantees adaptation for all possible applications.

The mechanical basic system, with a low number of components, is the same for both heights.

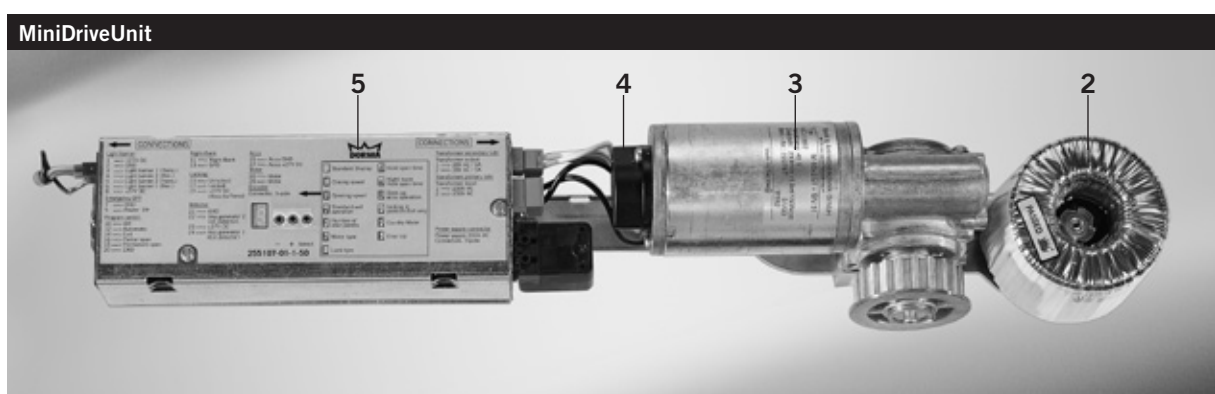
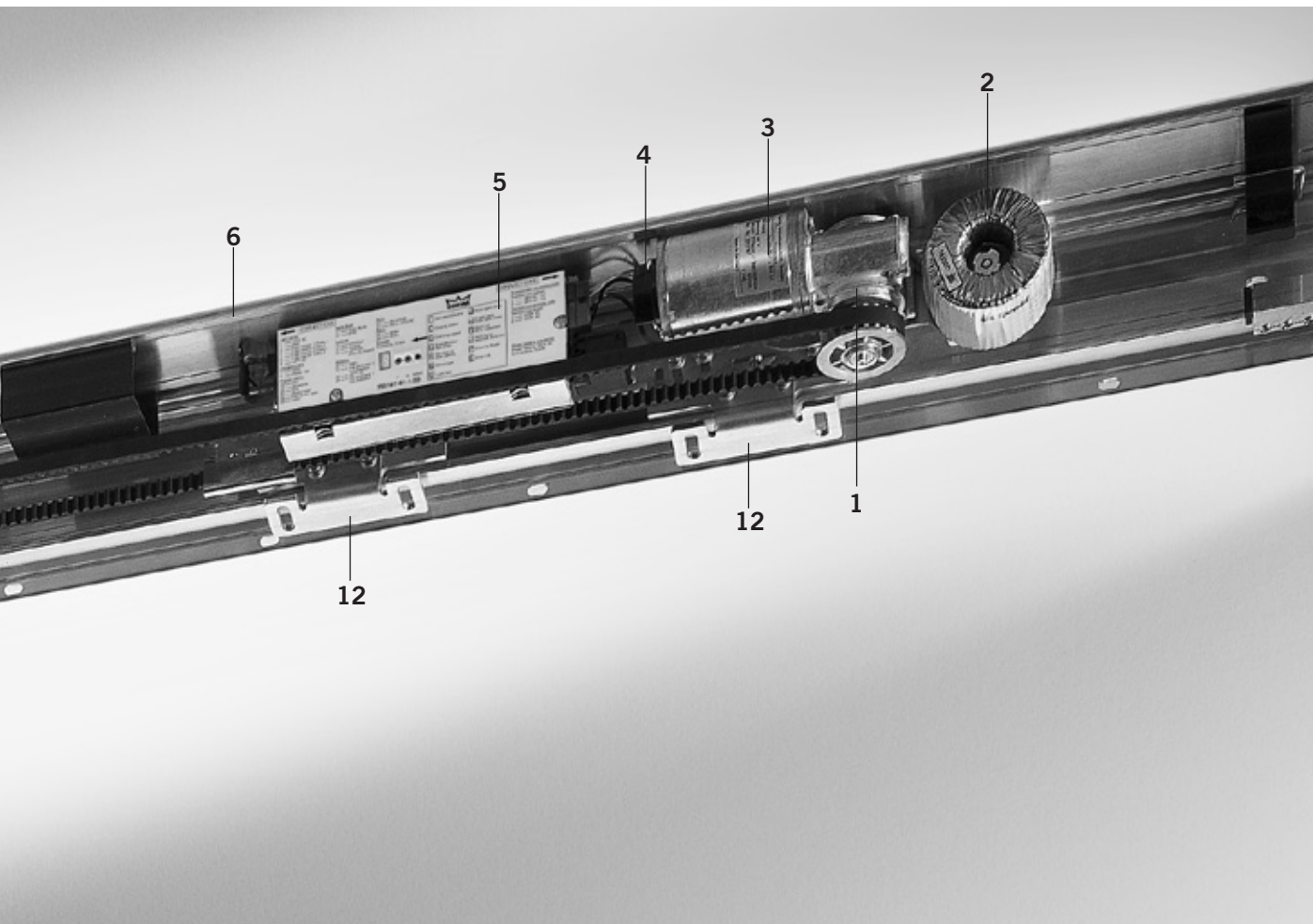
Profiles for corridor installation, 150 mm



Profiles for wall fixing, 150 mm



- 1 LM rail
- 2 Basic drive profile
- 3 Interior cover in 100 or 150 mm height
- 4 Wall fixing profile
- 5 Service cover holder



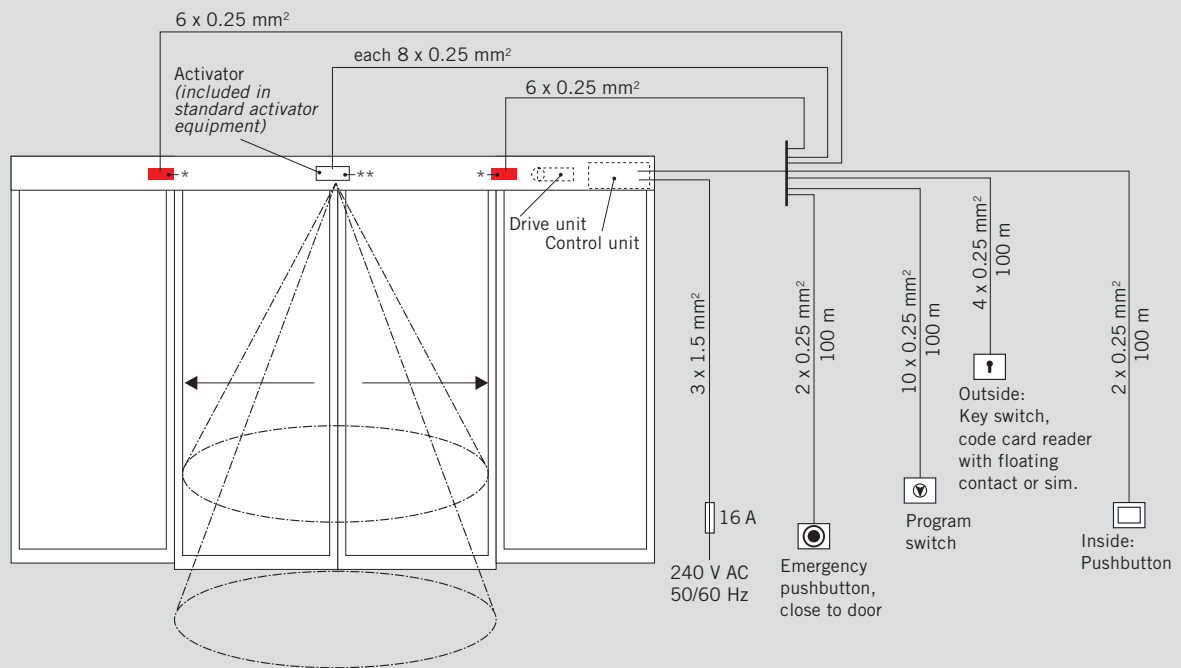
The heart of the **ES 200 Easy**: the prefabricated **MiniDriveUnit** with all the electrical components necessary is industrially tested and facilitates the assembly and maintenance of drive units.

The control unit has proven its worth a thousand times in all imaginable fields of application throughout the world.

Components

- | | |
|--------------------------------|---|
| 1 MiniDriveUnit | 8 Carriage |
| 2 Transformer | 9 Deflection roller |
| 3 Motor | 10 Service cover holder |
| 4 Decoder | 11 End stopper |
| 5 Control unit EC2 | 12 Door suspension with adjustment device |
| 6 Run and installation profile | 13 Belt connection |
| 7 Battery pack (optional) | |

Connections



*Safety sensors to monitor the secondary closing edge in accordance with DIN 18650
 **Safety sensors to monitor the main closing edge in accordance with DIN 18650

Program switch

When combining the system with a program switch out of the DORMA accessory range, the automatic door system even meets individual requirements and offers easy handling.

These program switches are available in various designs have been conceived for all kinds of demands.

Furthermore they offer various options, from a mechanical to a full-electronic version alternatively also lockable via Euro profile half-cylinder or in a full-electronic way via code.

- Up to 5 different functions: Off, Automatic, Exit Only, Partial Open, Permanent Open
- Electronic program switches in System 55 design to cope with the highest aesthetic demands

Program switches for sliding door operators



Designation	Specification	Installation system	Order No.
PG-S1	5-position, aluminium, white, UP, 80 x 80 x 40 mm	Gira S-Color	19135401150
PG-S2	5-position, lockable, aluminium, white, flush-mounting, 80 x 80 x 40 mm	Gira S-Color	19135602150
EPS-S	Full-electronic program switch in System 55 design, 5-position, lockable via code or additional key switch TL-ST S55, membrane keypad, aluminium-coloured, white, flush-mounting, 80 x 80 mm	System 55	16556901150
For header installation** PS-FST3	5-position, lockable, also suitable for FST systems		25006014150

*no illustration

Pushbuttons



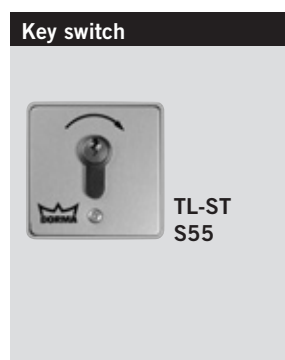
Pushbuttons

Designation	Specification	Installation system	Order No.
Pushbutton	Single-pole changeover contact, standard frame, white, flush-mounting	System 55	19144701170



Key switch

Designation	Specification	Order No.
KT 3-1	1 NO contact, with Euro profile half-cylinder (can be replaced by any half-cylinder of a master-key system), you can only withdraw the key when it is in zero position, aluminium, metal, 75 x 75 x 60 mm	
KT 3-1 UP	flush-mounting	05054531332
KT 3-1 AP	surface-mounting	05054631332



Key switch TL-ST key switch out of STA range

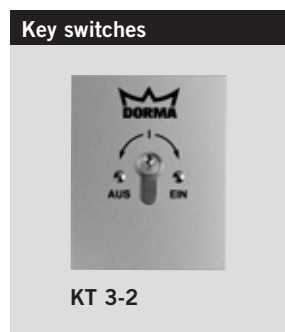
Designation	Specification	Installation system	Order No.
TL-ST S55	Switch with single-pole changeover contact, for Euro profile half-cylinder by others to DIN 18252, locking cam centre 30 – 32.5 mm, overall length 40.5 – 43,5 mm, Locking cam position left (90°), incl. cover for System 55, not suitable for box for surface-mounting, not including Euro profile half-cylinder, not including frame		
TL-ST S55 W	white	System 55	56330710
TL-ST S55 S	silver	System 55	56330701
TL-ST S55 A	anthracite	System 55	56330715

Switches



Switches

Designation	Specification	Installation system	Order No.
On / Off switch	white, aluminium, flush-mounting, 80 x 80 mm	Gira S-Color	19135403150
Radar switch	„MAGIC SWITCH”, proximity-type radar switch responds to movement, for flush-mounting, 80 x 80 mm		05076831332






Key switches

Designation	Specification	Order No.
KT 3-2	1 NO contact with Euro profile half-cylinder, can be replaced by any master key system half-cylinder, key only retractable in neutral position, interchangeable cover, lettering “Ein, Aus” (German for “On/Off”), aluminium, for flush-mounting: 125 x 100 mm, for surface-mounting: 70 x 90 mm	05054731332
KT 3-2.1*	2 changeover contacts, with Euro profile half-cylinder, replaceable by any master-key system half-cylinder, key only retractable in neutral position, lettering “Ein, Aus” (German for “On/Off”), aluminium, for flush-mounting: 125 x 100 mm, for surface mounting: 70 x 90 mm	05032631332

*no illustration



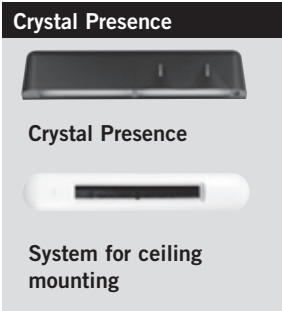

Emergency pushbutton

Emergency pushbutton	Designation	Specification	Installation system	Order No.
	NAT 1	To interrupt the automatic movement of the door. Emergency pushbutton (Function: Emergency Off) for automatic door operators. Manufactured according to ZH 1/494 (German Guidelines for power-operated windows, doors and gates) and BGR 232 (German Employer's Liability Insurance Association Rule) as well as DIN 18650 (German Industrial Standard). Red knob with yellow centre insert. Maximum load current: max. 10 A at 230 V AC.		
	TL-N S55	NAT 1 NO contact: 1, NC contact: 1, white frame, flush-mounting, 80 x 80 mm	System 55	90400025
	NAT 4	NAT 2* Function: "Emergency Open" with green knob, NO contact: 1, NC contact: 1, Maximum load current: 10 A at 230 V AC, white frame, flush-mounting, 80 x 80 mm	System 55	90400035
		Highly-illuminated emergency pushbutton environment with visual locking status indication, optical and acoustic alarm via yellow flashlight and integrated alarm siren, sabotage-proof, behind glass, not including frame		
	TL-N S55	NO contact: 1, NC contact: 1, Maximum load current: 1 A at 24 V DC, flush-mounting, 80 x 80 mm	System 55	56330500
	NAT 3*	Behind glass, NO contact: 1, NC contact: 1 for flush-mounting, 120 x 87 mm		90400023
	NAT 4	NO contact: 1, NC contact: 1, for surface-mounting, 68 x 68 mm		05027031332




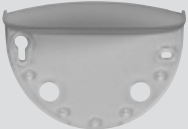


* no illustration

Infrared detectors

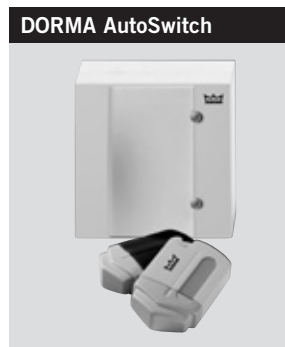
These detectors are designed to safeguard automatic doors by detecting moving people or objects

Light barriers		Designation	Specification	Order No.
 <p>LB 03</p>			To safeguard the passage area of sliding doors by detecting the presence of people and objects	
	LB 03		Counter light barrier comprising transmitter and receiver	05102331332
Active infrared detector		Designation	Specification	Order No.
 <p>AIR 30/31 AIR 30-H/31</p>			Active infrared system to safeguard the passage area and the secondary closing edges of sliding doors. Designed to detect the presence of people and objects	
	AIR 30/31		Including background evaluation, black	16503601170
	AIR 30-H/31		Including background suppression, black	16503701170
	WH 30		Rain protection cover, black	16500901170
Crystal Presence		Designation	Specification	Order No.
 <p>Crystal Presence</p> <p>System for ceiling mounting</p>			– For improved protection of passage areas and secondary closing edges of sliding doors – Designed to detect the presence of people and objects	
	Crystal Presence		Presence detection curtain for improved protection thanks to exactly adjustable detection range, black	16504301170
	System for ceiling mounting		for Crystal Presence, white	05094731332
Combined sensors		Designation	Specification	Order No.
 <p>Activ8.2</p> <p>Jupiter</p>			To activate (open) and protect automatic sliding doors This system is designed to substitute light barriers with the aid of an integrated active infrared function. This combined sensor opens sliding doors via radar and protects the main and secondary closing edges via an active infrared system.	
	Activ8.2		Direction recognition, black	16518301170
	Activ8.3-N		Direction recognition, self-monitoring, suitable for application on FST doors (fire and smoke doors), black	16555001170
	Jupiter		Direction recognition with cross-traffic suppression, black	16563201170
	Jupiter SE		Direction recognition with cross-traffic suppression, self-monitoring, suitable for application on FST doors (fire and smoke doors), black	16563301170

Radar motion detectors

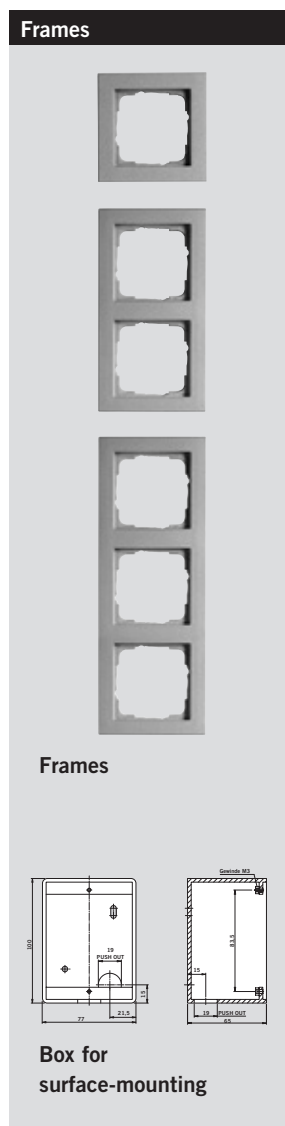
Not-Befehlseinrichtung	Designation	Spezifikation	Colour	Order No.
				
Eagle				
				
Merkur				
				
System for ceiling installation Eagle				
				
Rain protection cover Eagle				
				
Special bracket (Eagle)				
				
System for ceiling installation (Merkur)				
<p>The user-friendliness of automatic doors depends a lot on what kind of activator is used and its construction. The DORMA sensor range combines the flexibility that is required for the different fields of application with reliability and the highest level of user friendliness. Furthermore it effectively detects moving people or objects in order to activate (open) automatic doors.</p>				
Standard motion detectors				
Eagle 2	Standard		black	16503201170
			white	16503203170
			silver	16507502170
Merkur M	Standard		black	16537501170
Motion detectors with direction recognition				
Direction recognition for perfectly controlled opening and closing cycles.				
Eagle 1	Direction recognition		black	16503101170
			white	16503103170
			silver	16503102170
Merkur	Cross-traffic suppression with direction recognition		black	16532201170
Merkur SE/R	Self-monitoring, direction recognition with cross traffic suppression		black	16532201170
Accessories for Eagle detectors				
	System for ceiling mounting		white	16502901170
	Rain protection cover		transparent	05090731332
	Infrared remote control to adjust all radar motion detectors		black	16503001170
	Special bracket, for projections of up to 500 mm		black	19138903150
Accessories for Merkur-type detectors				
	System for ceiling installation (Merkur)		white	05102231332

DORMA AutoSwitch transponder



Designation	Specification	Order No.
The "active" transponder system. The transponder sends a pulse to the control unit as soon as it enters the receiver range, which amounts to approx. 2.5 m. This system is especially suitable for areas where a manual operation of the system is to be excluded. Thanks to its range it is the perfect access control system for doors used by wheelchair drivers.		
DORMA AutoSwitch	Receiver/control unit, surface-mounted version, white	16571101175
	Programming-(Transponder-) key, yellow	16571201175
	Standard-(Transponder-) key, blue	16571301175

Frames and boxes for surface-mounted pushbuttons and switches



Designation	Specification	All dimensions in mm (W x H x D)	Installation system	Order No.
System 55 Cover frame (STA range)				
FR-S55 1	Single-type frame, Standard 55, white	80.7 x 80.7	System 55	56391110
FR-S55 2	Double-type frame, Standard 55, white	151.8 x 80.7	System 55	56391210
FR-S55 3	Triple-type frame, Standard 55, white	223.3 x 80.7	System 55	56391310
E2 range				
FR-E2W 1	Single-type frame, E2 55, white	80.8 x 80.8	System 55	56392110
FR-E2W 2	Double-type frame, E2 55, white	151.9 x 80.8	System 55	56392210
FR-E2W 3	Triple-type frame, E2 55, white	223.4 x 80.8	System 55	56392310
E2 silver range				
FR-E2S 1	Single-type frame, E2 55, silver	80.8 x 80.8	System 55	56392101
FR-E2S 2	Double-type frame, E2 55, silver	151.9 x 80.8	System 55	56392201
FR-E2S 3	Triple-type frame, E2 55, silver	223.4 x 80.8	System 55	56392301
E2 anthracite range				
FR-E2A 1	Single-type frame, E2 55, anthracite	80.8 x 80.8	System 55	56392115
FR-E2A 2	Double-type frame, E2 55, anthracite	151.9 x 80.8	System 55	56392215
FR-E2A 3	Triple-type frame, E2 55, anthracite	223.4 x 80.8	System 55	56392315

Please see STA price list for further frames and versions.

Designation	Specification	All dimensions in mm (W x H x D)	Installation system	Order No.
System 55 Boxes for surface-mounting for Standard 55 frames				
ST-AP 55-1*	Single-type frame, pure white, RAL 9010	81.0 x 52.5 x 44.5	System 55	515853332
ST-AP 55-2*	Double-type frame, pure white, RAL 9010	152.0 x 81.0 x 44.5	System 55	515863332
ST-AP 55-3*	Triple-type frame, pure white RAL 9010	224.0 x 81.0 x 44.5	System 55	515873332
Box for surface-mounting	For mechanical program switch PG-FST2 with Euro profile half-cylinder		Deutsche Solenoid	
	Single-type frame, white	100 x 80 x 65		19142201170

* no illustration

DORMA GmbH + Co. KG
DORMA Platz 1
D-58256 Ennepetal
Phone +49 2333/793-0
Fax +49 2333/793-495

Division Automatic worldwide

<p>Argentina DORMA Sistemas de Controles para Portas Ltda Phone +54 11 45051032 www.dorma.com</p>	<p>Hong Kong DORMA Door Controls (Suzhou) Co., Ltd. Phone +852 25034632 www.dorma.com.sg</p>	<p>Romania DORMA Romania S.R.L. Phone +40 31 806 916 0 www.dorma.com</p>
<p>Australia DORMA Automatics Pty. Ltd. Phone +61 3 8795 0666 www.dorma.com.au</p>	<p>Hungary DORMA AKS Automatic GmbH Phone +36 1 2065127 www.dorma.com</p>	<p>Russia DORMA Russia Phone +7 495 981-1433 www.dorma.rus</p>
<p>Austria DORMA Austria GmbH Phone +43 6225 8636-0 www.dorma.at</p>	<p>India DORMA Door Controls India Pvt. Ltd. Phone +91 44 28585097 www.dorma.com</p>	<p>Saudi Arabia DORMA Arabia Automatic Doors Ltd. Kingdom of Saudi Arabia Phone +9663 847 2394 www.dorma.com</p>
<p>Belgium DORMA foquin N.V./S.A. Phone +32 50 451570 www.dorma.be</p>	<p>Indonesia, Japan, Malaysia, Vietnam DORMA Emerald Entrance Systems Pte Ltd Phone +65 459 5733 www.dorma.com.sg</p>	<p>Singapore DORMA Far East Pte. Ltd. (Sales) Phone +65 64151898 www.dorma.com.sg</p>
<p>Brazil DORMA Sistemas de Controles para Portas Ltda. Phone +55 11 46899128 www.dorma.com.br</p>	<p>Ireland DORMA Ireland Limited Phone +353 1 295-8280 www.dorma.ie</p>	<p>Slovakia DORMA Slovensko spol. s.r.o. Phone +421 2 50221-283 www.dorma.com</p>
<p>Bulgaria DORMA-BALKAN EOOD Phone +359 2 9714 904 www.dorma.com</p>	<p>Israel DORMA GmbH + Co. KG Phone +49 2333 793-0 www.dorma.com</p>	<p>Slovenia DORMA Representation Slovenia ICL d.o.o. Phone +386 2 5302010 www.dorma.com</p>
<p>Canada DORMA Door Controls Phone +1 905 6701281 www.dorma.com</p>	<p>Italy DORMA Italiana S.r.l. Tel.: +39 039 244031 www.dorma.it</p>	<p>South Africa DORMA Door Controls (Pty.) Ltd Phone +27 11 8300280 www.dorma.com</p>
<p>China DORMA China Ltd. Phone +86512 67612481 www.dorma.com.sg</p>	<p>Lithuania DORMA Norge AS Phone +47 23 176800 www.dorma.com</p>	<p>South Korea DORMA Emerald Entrance Systems Pte Ltd Phone +65 459 5733 www.dorma.com.sg</p>
<p>Croatia DORMA Croatia d.o.o. Phone +385 0 1 46 06 944 www.dorma-croatia.hr</p>	<p>Luxembourg Luxembourg Subsidiary Automatic Phone +49 2333 793-216 www.dorma.de</p>	<p>Spain DORMA Ibérica, S.A. Phone +34 91 8757850 www.dorma.es</p>
<p>Czech Republik DORMA dverní technika CR, s.r.o. Phone +420 2 671321-78 www.dorma.com</p>	<p>Mexico DORMA México, S. de R.L. de C.V. Phone +52 55 5272-6937 www.dorma.com</p>	<p>Sweden DORMA Sverige AB Phone +46 31 289520 www.dorma.se</p>
<p>Denmark DORMA Danmark A/S Phone +45 44 543000 www.dorma.dk</p>	<p>Netherlands DORMA Nederland B.V. Phone +31 488 418100 www.dorma.nl</p>	<p>Switzerland DORMA Schweiz AG Phone +41 718864646 www.dorma.ch</p>
<p>Estonia DORMA Representation Estonia Phone +372 6707064 www.dorma.com</p>	<p>New Zealand DORMA HORIZON NZ LTD Phone +64 9 573-1999 www.dorma.com.nz</p>	<p>Taiwan DORMA Door Controls Pte. Ltd. Phone +886 2 9182987 www.dorma.com.sg</p>
<p>Finland DORMA Finland Oy Phone +358 9 8789130 www.dorma.fi</p>	<p>Norway DORMA Norge AS Phone +47 23 176800 www.dorma.no</p>	<p>Turkey DORMA Kapi Kontrolleri Ltd. Sti Sahraticedid Mah. Tel.: +90 216 3600056 www.dorma.com</p>
<p>France DORMA Accueil S.A.S. Phone +33 4 79348924 www.dorma.fr</p>	<p>Philippines DORMA Door Controls Pte. Ltd. Phone +632 893 4077/8 www.dorma.com.sg</p>	<p>Ukraine DORMA Sales Representative Vasyil Stuchylin Phone +38 44 5183526 www.dorma.com</p>
<p>Germany DORMA Automatic GmbH + Co. KG Phone +49 2333 793-0 www.dorma.de</p>	<p>Poland DORMA Polska sp. z o.o. Phone +48 22 7365900 www.dorma.pl</p>	<p>United Arab Emirates DORMA Gulf Door Controls FZE Dubai, United Arab Emirates Phone +971 48 839014 www.dorma.com</p>
<p>Great Britain DORMA UK Limited Phone +44 1462 477600 www.dorma-uk.co.uk</p>	<p>Portugal DORMA Portugal para Portas, Lda. Phone +351 252 860490 www.dorma.com</p>	<p>USA DORMA Automatics Inc. Phone +1 847 295-2700 www.dorma-usa.com</p>
<p>Greece DORMA Representation Greece Tel.: +30 21 09944388 www.dorma.com</p>		



Door Control



Automatic



**Glass fittings
and Accessories**



**Security Time
and Access (STA)**



Movable Walls