



Sliding door operator  
for emergency exits

# DORMA ES 200-2D

## Flexible, simple and modular – with safety included

With its ES 200, DORMA is able to offer a new, innovative sliding door operator system covering all applications and service requirements.

In the case of emergency exits and escape doors, the ES 200-2D version featuring DORMA *DualDrive* technology offers an impressive solution with outstanding operational reliability.

### The modular system

The modular design of the ES 200 provides an ideal basis for implementing new ideas and individual concepts in the design and construction of sliding door systems.

The identical mechanical components can be used in all three versions of the operator (ES 200-2D, ES 200 and ES 200 *Easy*). DORMA has also opened up a new dimension with its control system. Now there is no longer any need to replace components when you want to expand the functionality of your system.

In future, “docking” will be the order of the day. The modular control system comprises of the basic control module (BM), the *DualDrive* module (2D unit) and the function module (FM).

Consequently, upgrading in accordance with individual customer requirements can be carried out without problems.

Particularly impressive is the prefabricated *MiniDriveUnit*, industrially tested and equipped with all the necessary electrical and electronic components.

### Commissioning with a PDA

Commissioning and the setting of all the standard parameters can be performed quickly and easily via an integrated display and using keys provided on the front panel of the control unit. For extra convenience, you can optionally program the system using the DORMA ASP software loaded on a PDA Organizer.

### *DualDrive* for redundant safety

The innovative and powerful *DualDrive* system offers double safety through its particularly dynamic drive power based on a predetermined acceleration/deceleration operational control curve. It consists of a double-protected control system, an extra-powerful motor and an additional auxiliary coil for emergencies. Delicate and unreliable wearing parts such as rubber ropes/bungees, clutches or springs are out. Instead, the system guarantees durable, disruption-free functional dependability while at the same time significantly reducing the amount of maintenance input required. Maximum operational reliability in all situations is also ensured by a continuous self-monitoring function which covers the entire system.

### A system for the future

With this system you are investing in the future. You also have the security deri-

ved from our decades of experience in the automatics business – a history that sets DORMA apart as the market leader in drive and control systems for doors. The ES 200-2D corresponds to all the latest European and German standards and safety regulations: AutSchR (Regulations governing the use of automatic sliding doors in escape routes), R238 (ZH 1/494) and DIN 18650.

The required safety devices according to DIN 18650 (Germany) result from the respective risk assessment.

### Delivery formats

The ES 200-2D is available as a component kit, as a complete, pre-assembled operator or ready integrated in all DORMA sliding door systems.

### Accessories

DORMA is able to provide program switches, activators and door profiles all perfectly matched to the operator as ideal complementary components.



### Features and advantages

- Modular, flexible system
- With DORMA *DualDrive*: Double-protected drive system, low in maintenance with redundant control and powerful 2D motor
- Industrially prefabricated and tested *MiniDriveUnit*
- Modular control system upgradeable with additional functional modules
- Integrated DCW (DORMA Connect and Work) bus system for easy integration of DORMA DCW sensors and actuators
- Commissioning via integrated display or optionally with PDA and ASP software
- Can be combined with all customary door profiles
- Fully comprehensive range of accessories
- Reliable investment due to compliance with all relevant European and German standards

Door parameters	ES 200-2D
1-panel sliding door – Clear passage width LW – Door panel weight, max.	900 – 1800 mm 1 x 150 kg
2-panel sliding door – Clear passage width LW – Door panel weight, max.	1000 – 3000 mm 2 x 130 kg

Technical data	
Height	100 and 150 mm
Overall depth	180 mm
Opening and closing force max. 150 N	●
Opening speed (incremental setting)	10 – 70 cm/s
Closing speed (incremental setting)	10 – 50 cm/s
Hold-open time	0,5 – 30 sec.
Mains voltage, frequency	230 V, 50/60 Hz
Power consumption	180 W
Class of protection	IP 20
Compliant with EU low-voltage directives	●
Manufacture according to ISO 9001:2000	●



Servicing and commissioning can be performed quickly and easily via an **integrated display with pushbuttons** on the front panel of the control unit or alternatively with a hand-held computer and the DORMA Automatic Service Program (ASP).

Basic module (BM)	
Modular design	●
Microprocessor-controlled function programs – Off – Automatic – Permanent open – Partial opening – Exit only – Night-bank control	● ● ● ● ● ●
Connections for – electro-mechanical lock – light barriers	● ●
Adjustment of all basic parameters via integrated display and pushbuttons	●
PDA parameter setting	●
24 V output for external loads	●
Read-out error memory with error codes	●
DCW bus interface	●
Rechargeable battery pack for emergency operation	●

DualDrive module (2D unit)	
Self-monitoring	●
For actuation of the emergency escape function	●
Redundant safety	●

Function module (FM) – optional extra	
Pharmacy control	●
Door status detection (triple-mode)	●
Main and secondary closing edge protection	●
Emergency closing	●
Bell contact	●
Airlock control	●
Synchronising mode	●

DIN 18650 function module - optional	
The DIN 18650 function module* enables the tested monitoring of the secondary closing edges in order to comply with the German standard DIN 18650.	○

Additional equipment	
Electro-mechanical lock (bistable)	○
Manual release of electro-mechanical lock	○
Light barriers	○
Backup battery pack (emergency opening, emergency closing)	○
Module for coupling to EIB or LON building control systems*	○

\* Please ask your Sales Consultant for series start date.

- standard
- optional

## Always on the safe side with emergency exit doors: *DualDrive*

The DORMA DualDrive concept is particularly impressive with its superior system innovations.

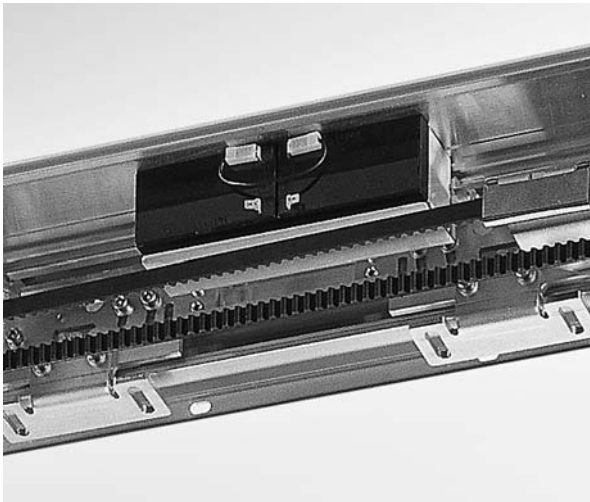
The technical lead offered by the DORMA DualDrive is the culmination of a combination comprising smart control electronics and a redundant motor system.

Delicate and disruptive rubber rope and bungee systems, clutches or springs for the emergency opening function have been banished from the scene. This guarantees durable, disruption-free operability while at the same time significantly reducing maintenance input and expense.

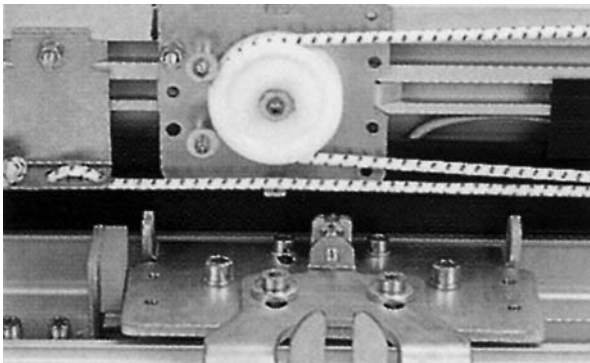
Maximum operational reliability in all situations is guaranteed by the fact that the system self-monitors on a continuous basis.

**DORMA *DualDrive* – more safety right from the start.**





Emergency operation with integrated backup battery pack



Previously: Safety provided by a bungee-type actuator



Today: Safety with the **DualDrive**

## DORMA *DualDrive* in brief:

- More functional reliability in emergency exit doors thanks to redundant motor and control system to replace rubber rope/bungee, clutch and spring systems.
- High flexibility in the planning and construction of emergency exit sliding doors.
- Integrated rechargeable back-up battery module for reliable, mains-independent opening and closing of the door in any situation.
- Additional manual unlocking mechanism available as optional extra.
- Reliable investment for the future thanks to satisfaction of the very latest European and German standards for automatic doors in emergency exits and escape routes (prEN 12650)
- Enhanced efficiency thanks to simplified installation and low-maintenance components
- Comprehensive service and support package

**TÜV NORD CERT**

**Prüfbescheinigung  
Award Certificate  
PP-006 / 2002**

Hiermit wird bestätigt, dass unten näher beschriebenes Produkt den genannten Prüfgrundlagen entspricht. Der Hersteller oder Importeur wird berechtigt, dieses Produkt mit dem unten abgebildeten Prüfzeichen zu kennzeichnen.  
The product described below meets the requirements of the test specifications. The manufacturer or importer is entitled to label the product named below with the approval mark as illustrated.

Hersteller oder Importeur: Manufacturer or importer:	DORMA GmbH & Co. KG Breckerfelder Straße 42 - 48 58256 Ennepetal
Fertigungsstätte: Manufacturing plant:	DORMA GmbH & Co. KG Breckerfelder Straße 42 - 48 58256 Ennepetal

**Beschreibung des Baumusters:**  
Description of equipment:

Automatische Schiebetüranlage ohne Drehbeschlag mit und ohne festen Seitenstein zum Einsatz in Rettungswegen  
Automatic sliding door without breakout with and without fixed side screens for use in escape route  
max. Flügelgewicht / max. leaf weight  
1-flügelig / one leaf 1 x 120 kg  
2-flügelig / two leaves 2 x 100 kg

**Bezeichnung, Typ:**  
Designation, Type

Automatic-Fluchweg-Schiebetüranlage DORMA CS-FST-2D mit Dual-Drive Technologie  
Automatic sliding door DORMA CS-FST-2D with DUAL Drive Technologie  
DORMA Ganzglas G / DORMA Rahmen R / DORMA / Ganzglas G-ISO / Glasklemmeiste / Manet

Prüfgrundlage: Tested in accordance to:	ZH 1454 04.89 VDE 0700, T.238 10.83 prEN 12650 09.99 DIN V VDE 0801 01.99 DIN V 19251 02.95 DIN V 19250 05.95 Richtlinie über automatische Schiebetüren in Rettungswegen - AusSichS 12.07
--	---

Directive for automatic sliding doors in escape route  
Weitergehende Anforderungen an das Baurecht bleiben unberührt.  
Requirements of the building regulations are not to be affected by the award certificate.

Diese Bescheinigung gilt nur in Verbindung mit unseitigen Bedingungen  
This certificate shall only be valid with the conditions stated overleaf

vom/from: 10.01.2002 bis/to: 09.01.2005 Aktennr./File No.: YTT 145440

TÜV Hannover/Sachsen-Anhalt e.V., Am TÜV 1, 30519 Hannover  
Hannover, den 10.01.2002

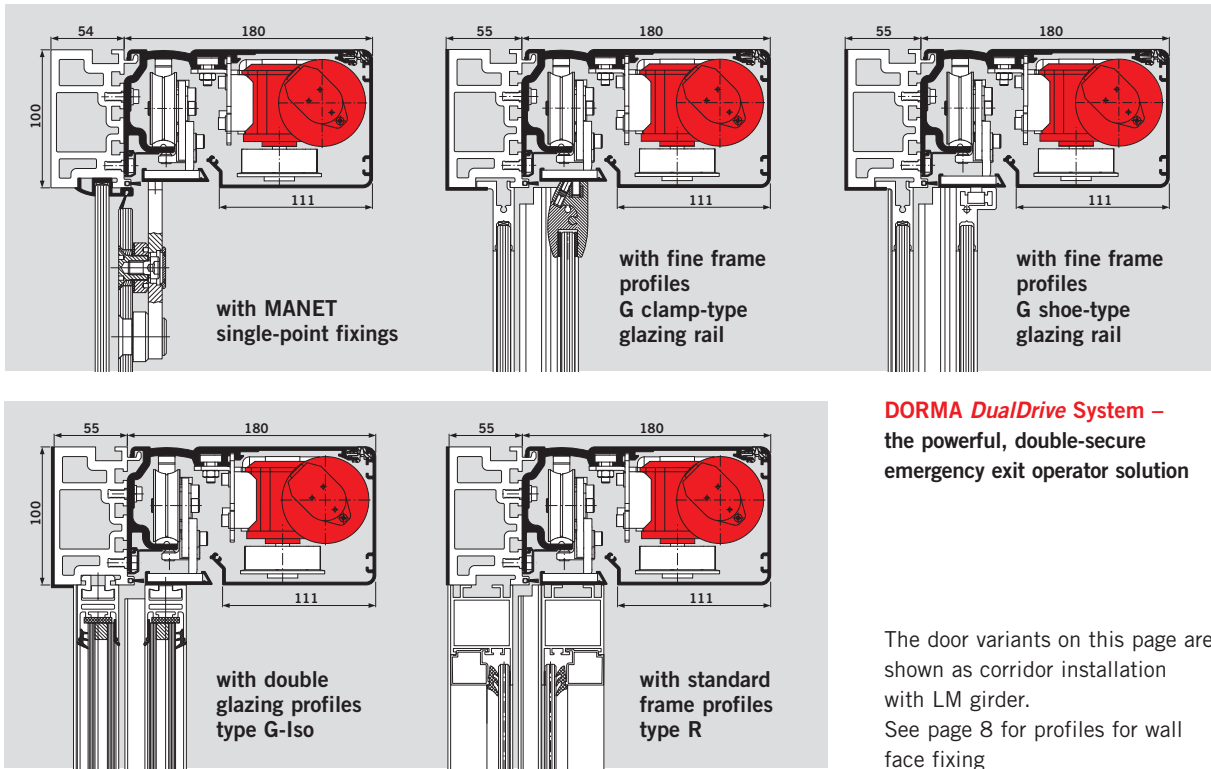
Der Leiter der Zertifizierungsstelle für Produkte / Head of certification body

Dipl.-Ing. Stürwald

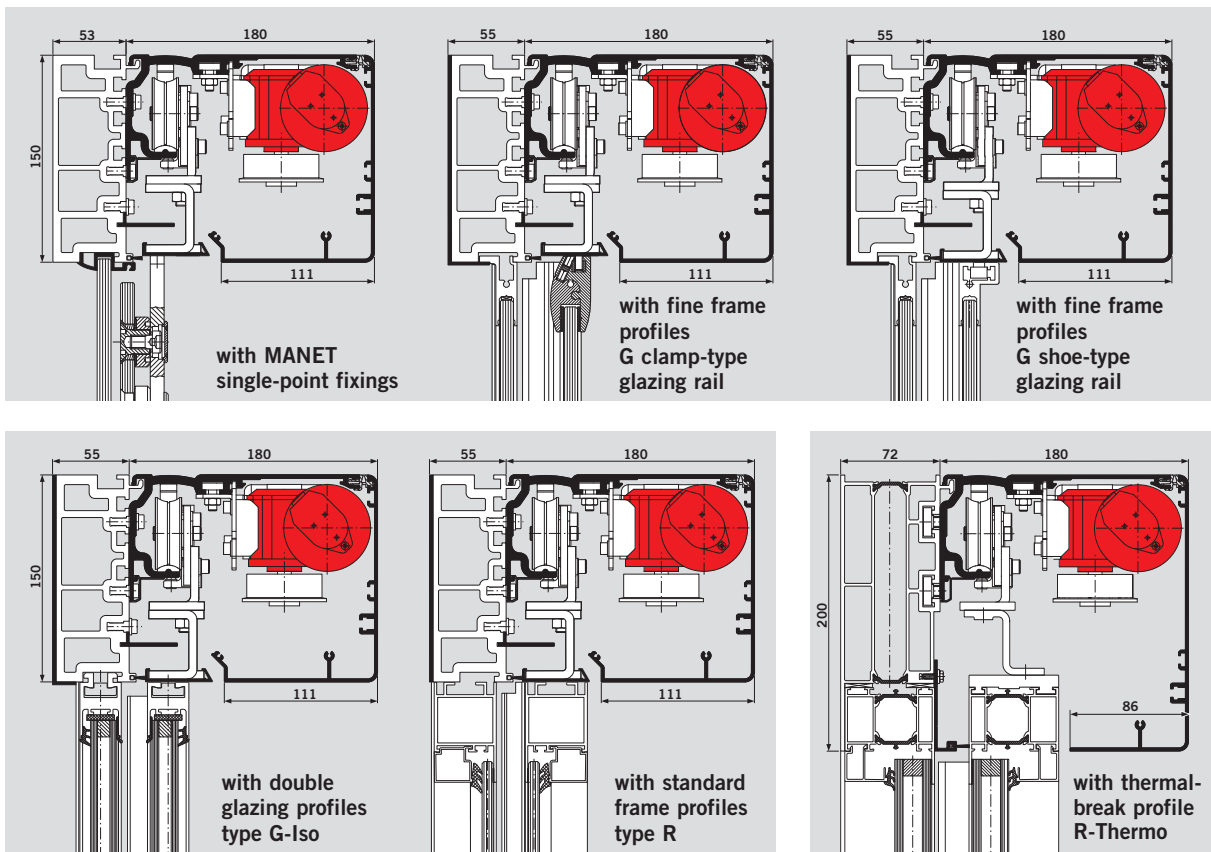
The German TÜV certificate for emergency exit sliding doors with **DualDrive** technology validates the primary technical specifications and place of manufacture. DORMA emergency exit doors offer additional safety by virtue of the fact that they are manufactured in production facilities subject to third-party QA verification.

## ES 200-2D – the emergency exit operator for individual door design

### Door variants with ES 200-2D, 100 mm height



### Door variants with ES 200-2D, 150 mm height and special version “thermal-break profile R-Thermo”

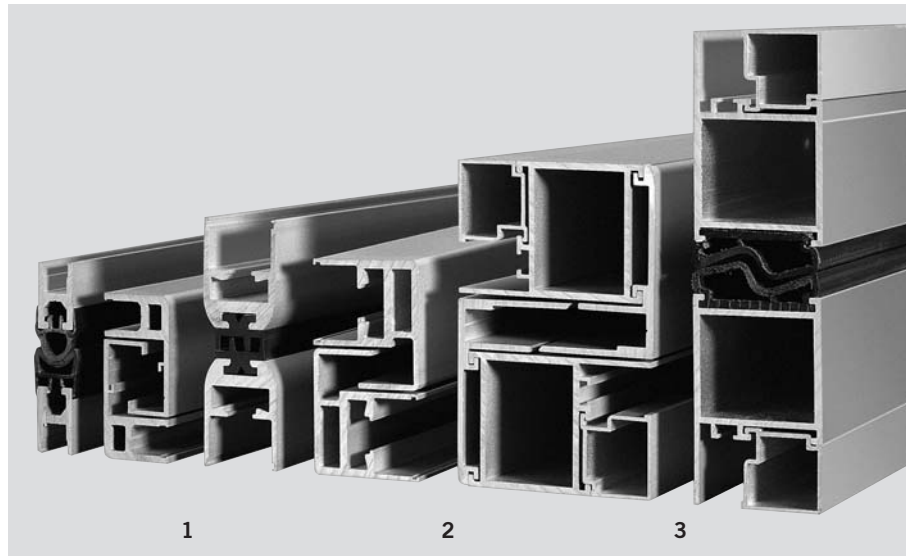


## Door profiles

DORMA supplies door profile for doors in full-glass and for framed doors as the optimum addition to the ES 200-2D.

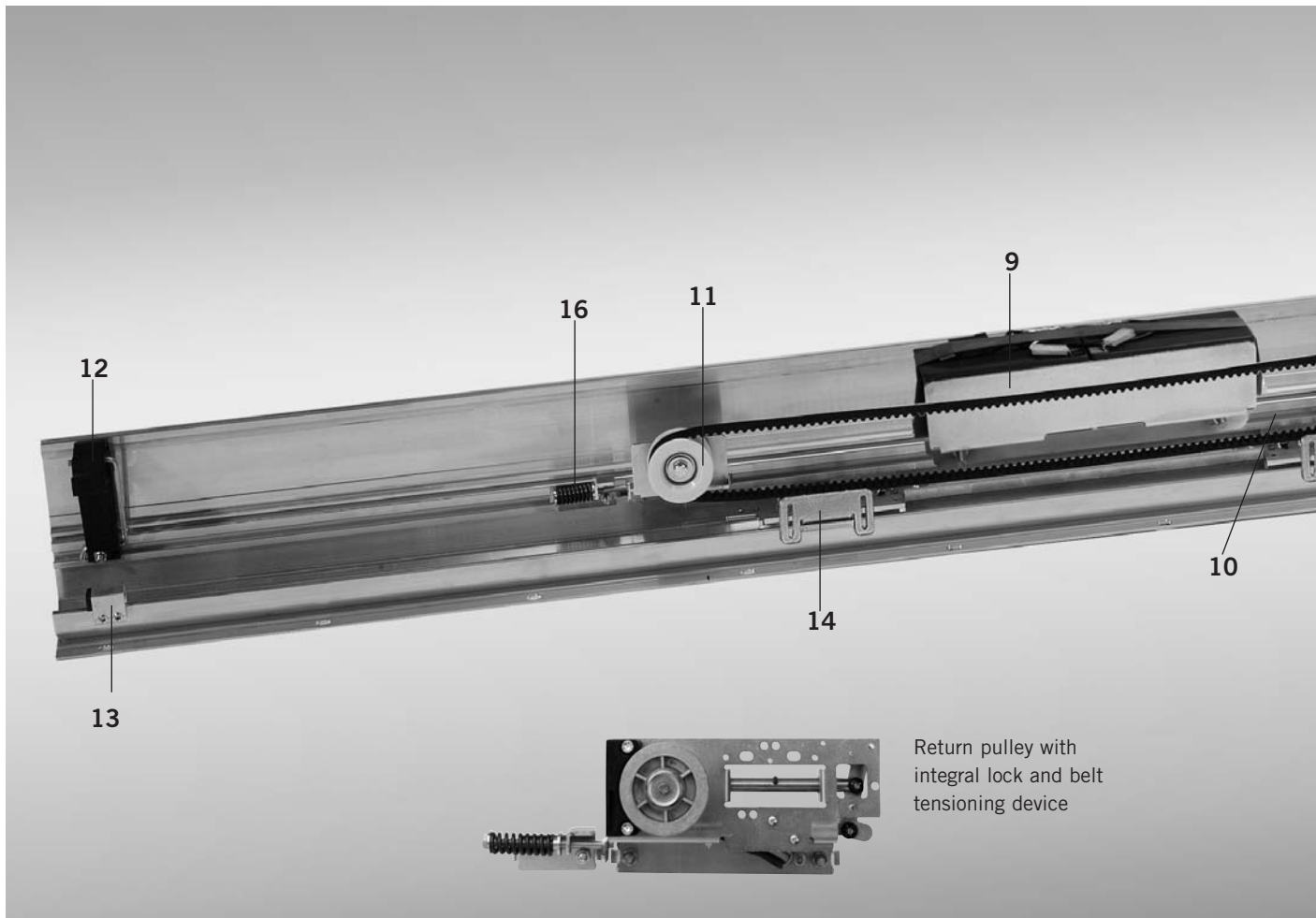
Manet single point fixings and a glazing rail complement the program.

- 1 Fine frame profile system type G
- 2 Double glazing profile system type G-Iso
- 3 Standard frame profile type R



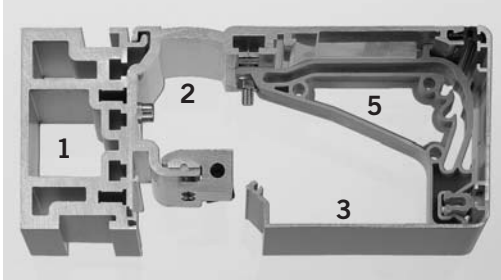
MANET single-point fixings



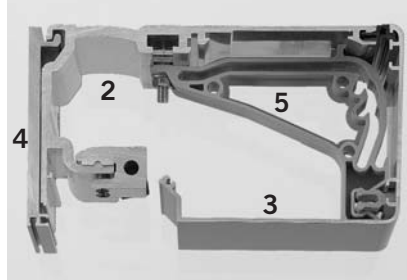


Return pulley with  
integral lock and belt  
tensioning device

Profiles for corridor installation, 100 mm

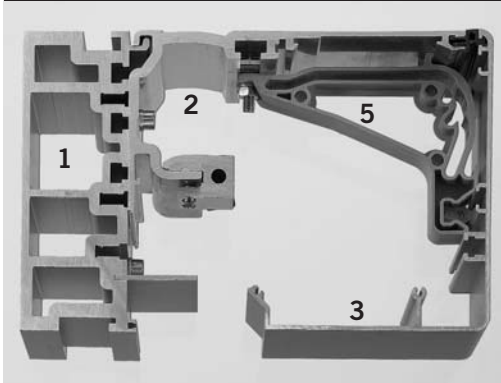


Profiles for wall face fixing, 100 mm

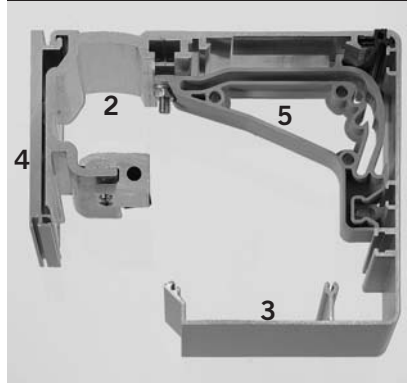


Profile for 100 mm and 150 mm height, for corridor or wall face fixing guarantees adaptation for all possible applications. The basic mechanical system, with a low number of components, is the same for both heights.

Profiles for corridor installation, 150 mm

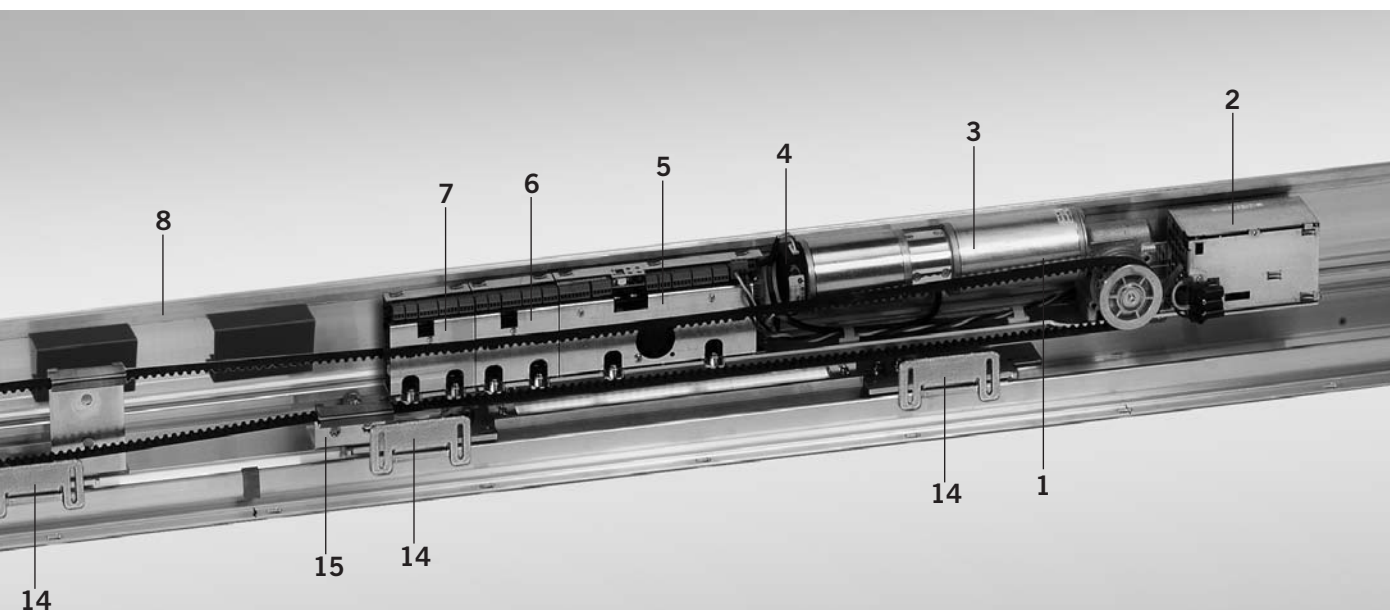


Profiles for wall face fixing, 150 mm



- 1 LM girder
- 2 Basic operator profile
- 3 Interior cover, 100 or 150 mm high
- 4 Wall face fixing profile
- 5 Service cover holder

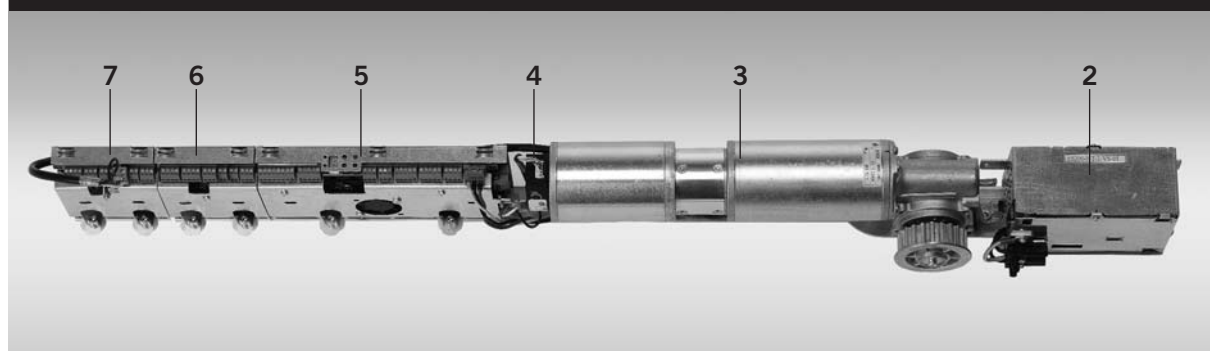




Easy parameter adjustment facilitated by an **integrated display with pushbuttons** on the front panel of the control unit or alternatively using a PDA Organizer and DORMA ASP software.



#### MiniDriveUnit with DualDrive

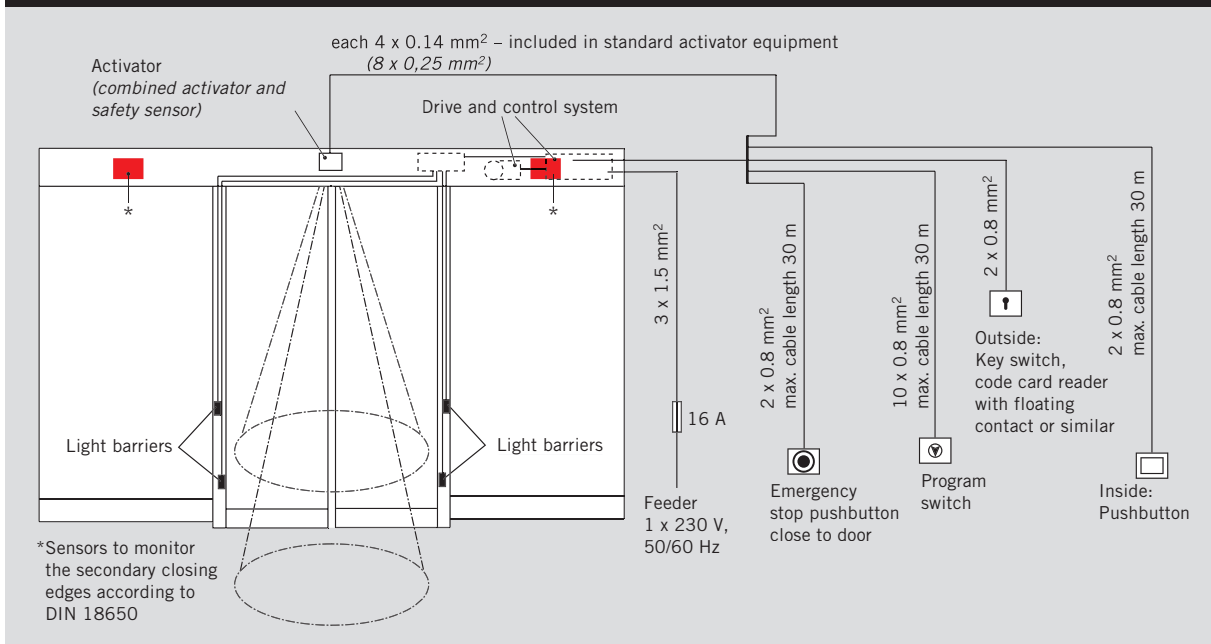


At the heart of the ES 200-2D is its prefabricated **MiniDriveUnit with DualDrive** technology. It has been industrially tested with all the requisite electrical and electronic components, thus greatly facilitating the assembly, installation and maintenance of the door operator.

#### Components

- |                                       |  |
|---------------------------------------|--|
| 1 <b>MiniDriveUnit with DualDrive</b> | 8 Track and mounting profile           |
| 2 Power supply unit                   | 9 Battery pack (optional)              |
| 3 Dual Drive Motor                    | 10 Carrier                             |
| 4 Decoder                             | 11 Return pulley                       |
| 5 Basic control module (BM)           | 12 Service cover holder                |
| 6 <b>DualDrive</b> module (2D unit)   | 13 End stop                            |
| 7 Function module (FM)                | 14 Door bracket with adjustment device |
|                                       | 15 Belt connection                     |
|                                       | 16 Belt tensioning device              |

**Connections**



**Program switch**

When combining the system with a program switch out of the DORMA accessory range, the automatic door system even meets individual requirements and offers easy handling.

These program switches are available in various designs have been conceived for all kinds of demands.

Furthermore they offer various options, from a mechanical to a full-electronic version alternatively also lockable via Euro profile half-cylinder or in a full-electronic way via code.

- Up to 5 different functions: Off, Automatic, Exit Only, Partial Open, Permanent Open
- Electronic program switches in System 55 design to cope with the highest aesthetic demands

**Program switches for sliding door operators**



Designation	Specification	Installation system	Order No.
<b>PG-S1</b>	5-position, aluminium, white, UP, 80 x 80 x 40 mm	Gira S-Color	19135401150
<b>PG-S2</b>	5-position, lockable, aluminium, white, flush-mounting, 80 x 80 x 40 mm	Gira S-Color	19135602150
<b>PG-FST2*</b>	5-position, lockable via Euro profile half-cylinder, also suitable for FST systems, aluminium, white, for flush-mounting, 105 x 80 x 65 mm Box for surface-mounting: 19142201170 Deutsche Solenoid		19135602150
<b>EPS-S</b>	Full-electronic program switch in System 55 design, 5-position, lockable via code or additional key switch TL-ST S55, membrane keypad, aluminium-coloured, white, flush-mounting, 80 x 80 mm	System 55	16556901150
<b>For header installation**</b>	5-position, lockable, also available for suitable for FST systems		25006014150
<b>PS-FST3</b>			

\* Illustration see page 7

\*\* no illustration

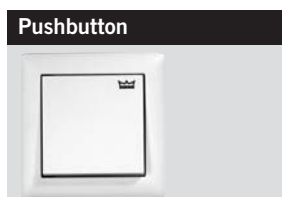
### Program switches for sliding door operators in emergency exits and escape routes (FST)



Designation	Specification	Installation system	Order No.
PG-FST1	5-position, lockable, aluminium, white, flush-mounting, 80 x 80 mm	Gira S-Color	19135603150
PG-FST2	5-position, lockable via Euro profile half-cylinder, white, aluminium, flush-mounting, 105 x 80 x 65 mm, Box for surface-mounting: 19142201170 (see page 11)	Deutsche Solenoid	19142001170
EPS-FST	Full-electronic program switch in System 55 design, 5-position, lockable via code or additional key switch TL-ST S55, membrane keypad, white, aluminium-coloured, flush-mounting, 80 x 80 mm	System 55	16556801150
<b>For header installation*</b>			
PS-FST3	5-position, lockable		25006014150

\* no illustration

## Pushbuttons



### Key switch

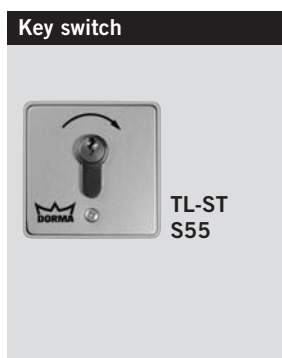
Designation	Specification	Installation system	Order No.
Pushbutton	Single-pole changeover contact, standard frame, white, flush-mounting	System 55	19144701170

### Key switch



Designation	Specification	Order No.
KT 8	Lettering "Auf, Zu" (German for "Open/Closed"), 2 NO contacts, with Euro profile half-cylinder (can be replaced by any master-key system half-cylinder), key only retractable in neutral position, aluminium, metal, 75 x 75 x 60 mm	
KT 8 UP	flush-mounting	05054831332
KT 8 AP	surface-mounting	05054931332

### Key switch TL-ST key switch out of STA range



Designation	Specification	Installation system	Order No.
TL-ST S55	Switch with single-pole changeover contact, for Euro profile half-cylinder by others to DIN 18252, locking cam centre 30 – 32.5 mm, overall length 40.5 – 43.5 mm, Locking cam position left (90°), incl. cover for System 55, not suitable for box for surface-mounting, not including Euro profile half-cylinder, <b>not including frame</b>		
TL-ST S55 W	white	System 55	56330710
TL-ST S55 S	silver	System 55	56330701
TL-ST S55 A	anthracite	System 55	56330715

## Switches



### Switches

Designation	Specification	Installation system	Order No.
On / Off switch	white, aluminium, flush-mounting, 80 x 80 mm	Gira S-Color	19135403150
Radar switch	„MAGIC SWITCH“, proximity-type radar switch responds to movement, for flush-mounting, 80 x 80 mm		05076831332

### Key switches



Designation	Specification	Order No.
KT 3-2	1 NO contact with Euro profile half-cylinder, can be replaced by any master key system half-cylinder, key only retractable in neutral position, interchangeable cover, lettering “Ein, Aus” (German for “On/Off”), aluminium, for flush-mounting: 125 x 100 mm, for surface-mounting: 70 x 90 mm	05054731332
KT 3-2.1*	2 changeover contacts, with Euro profile half-cylinder, replaceable by any master-key system half-cylinder, key only retractable in neutral position, lettering “Ein, Aus” (German for “On/Off”), aluminium, for flush-mounting: 125 x 100 mm, for surface mounting: 70 x 90 mm	05032631332

\*no illustration

## Emergency pushbutton









Designation	Specification	Installation system	Order No.
To interrupt the automatic movement of the door. Emergency pushbutton (Function: Emergency Off) for automatic door operators. Manufactured according to ZH 1/494 (German Guidelines for power-operated windows, doors and gates) and BGR 232 (German Employer's Liability Insurance Association Rule) as well as DIN 18650 (German Industrial Standard). Red knob with yellow centre insert. Maximum load current: max. 10 A at 230 V AC.			
NAT 1	NO contact: 1, NC contact: 1, white frame, flush-mounting, 80 x 80 mm	System 55	90400025
NAT 2*	Function: “Emergency Open“ with green knob, NO contact: 1, NC contact: 1, Maximum load current: 10 A at 230 V AC, white frame, flush-mounting, 80 x 80 mm	System 55	90400035
Highly-illuminated emergency pushbutton environment with visual locking status indication, optical and acoustic alarm via yellow flashlight and integrated alarm siren, sabotage-proof, behind glass, <b>not including frame</b>			
TL-N S55	NO contact: 1, NC contact: 1, Maximum load current: 1 A at 24 V DC, flush-mounting, 80 x 80 mm	System 55	56330500
NAT 3*	Behind glass, NO contact: 1, NC contact: 1 for flush-mounting, 120 x 87 mm		90400023
NAT 4	NO contact: 1, NC contact: 1, for surface-mounting, 68 x 68 mm		05027031332




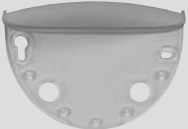


\* no illustration

## Infrared detectors

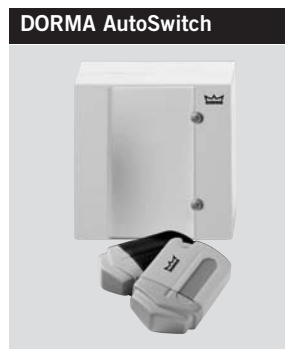
These detectors are designed to safeguard automatic doors by detecting moving people or objects

Light barriers		Designation	Specification	Order No.
 <p>LB 03</p>			To safeguard the passage area of sliding doors by detecting the presence of people and objects	
	<b>LB 03</b>		Counter light barrier comprising transmitter and receiver	05102331332
Active infrared detector		Designation	Specification	Order No.
 <p>AIR 30/31 AIR 30-H/31</p>			Active infrared system to safeguard the passage area and the secondary closing edges of sliding doors. Designed to detect the presence of people and objects	
	<b>AIR 30/31</b>		Including background evaluation, black	16503601170
	<b>AIR 30-H/31</b>		Including background suppression, black	16503701170
	<b>WH 30</b>		Rain protection cover, black	16500901170
Crystal Presence		Designation	Specification	Order No.
 <p>Crystal Presence</p>  <p>System for ceiling mounting</p>			– For improved protection of passage areas and secondary closing edges of sliding doors – Designed to detect the presence of people and objects	
	<b>Crystal Presence</b>		Presence detection curtain for improved protection thanks to exactly adjustable detection range, black	16504301170
	<b>System for ceiling mounting</b>		for Crystal Presence, white	05094731332
Combined sensors		Designation	Specification	Order No.
 <p>Activ8.2</p>  <p>Jupiter</p>			To activate (open) and protect automatic sliding doors This system is designed to substitute light barriers with the aid of an integrated active infrared function. This combined sensor opens sliding doors via radar and protects the main and secondary closing edges via an active infrared system.	
	<b>Activ8.2</b>		Direction recognition, black	16518301170
	<b>Activ8.3-N</b>		Direction recognition, self-monitoring, suitable for application on FST doors (fire and smoke doors), black	16555001170
	<b>Jupiter</b>		Direction recognition with cross-traffic suppression, black	16563201170
	<b>Jupiter SE</b>		Direction recognition with cross-traffic suppression, self-monitoring, suitable for application on FST doors (fire and smoke doors), black	16563301170

## Radar motion detectors

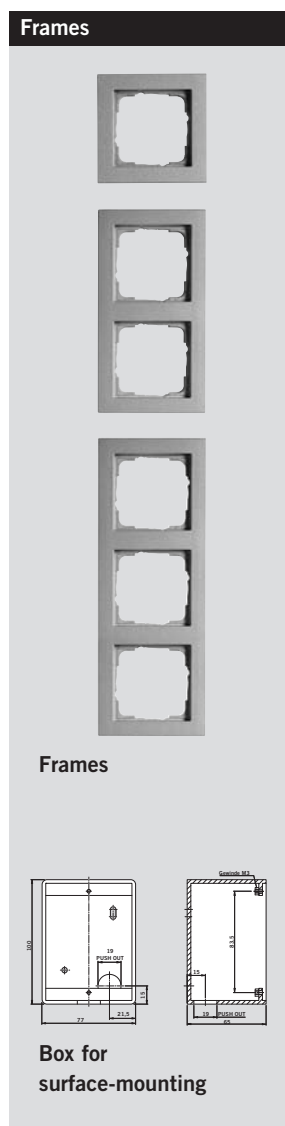
Not-Befehlseinrichtung	Designation	Specification	Colour	Order No.
				
<b>Eagle</b>				
				
<b>Merkur</b>				
				
<b>System for ceiling installation Eagle</b>				
				
<b>Rain protection cover Eagle</b>				
				
<b>Special bracket (Eagle)</b>				
				
<b>System for ceiling installation (Merkur)</b>				
	<p>The user-friendliness of automatic doors depends a lot on what kind of activator is used and its construction. The DORMA sensor range combines the flexibility that is required for the different fields of application with reliability and the highest level of user friendliness. Furthermore it effectively detects moving people or objects in order to activate (open) automatic doors.</p>			
	<b>Standard motion detectors</b>			
	<b>Eagle 2</b>	Standard	black	16503201170
			white	16503203170
			silver	16507502170
	<b>Merkur M</b>	Standard	black	16537501170
	<b>Motion detectors with direction recognition</b>			
	Direction recognition for perfectly controlled opening and closing cycles.			
	<b>Eagle 1</b>	Direction recognition	black	16503101170
			white	16503103170
			silver	16503102170
	<b>Merkur</b>	Cross-traffic suppression with direction recognition	black	16532201170
	<b>Self-monitoring motion detector (FST application – for door with application in emergency exits and escape routes)</b>			
	Radar motion detector for doors in emergency exits and escape routes with self-monitoring function and electronics in redundant design			
	<b>Eagle 3-N</b>	Self-monitoring, direction recognition	black	1655161170
			white	1655163170
			silver	1655162170
	<b>Merkur SE/R</b>	Self-monitoring, direction recognition with cross traffic suppression	black	16532201170
	<b>Accessories for Eagle detectors</b>			
		System for ceiling mounting	white	16502901170
		Rain protection cover	transparent	05090731332
		Infrared remote control to adjust all radar motion detectors	black	16503001170
		Special bracket, for projections of up to 500 mm	black	19138903150
	<b>Accessories for Merkur-type detectors</b>			
		System for ceiling installation (Merkur)	white	05102231332

## DORMA AutoSwitch transponder



Designation	Specification	Order No.
The "active" transponder system. The transponder sends a pulse to the control unit as soon as it enters the receiver range, which amounts to approx. 2.5 m. This system is especially suitable for areas where a manual operation of the system is to be excluded. Thanks to its range it is the perfect access control system for doors used by wheelchair drivers.		
<b>DORMA AutoSwitch</b>	Receiver/control unit, surface-mounted version, white	16571101175
	Programming-(Transponder-) key, yellow	16571201175
	Standard-(Transponder-) key, blue	16571301175

## Frames and boxes for surface-mounted pushbuttons and switches



Designation	Specification	All dimensions in mm (W x H x D)	Installation system	Order No.
<b>System 55 Cover frame (STA range)</b>				
<b>FR-S55 1</b>	Single-type frame, Standard 55, white	80.7 x 80.7	System55	56391110
<b>FR-S55 2</b>	Double-type frame, Standard 55, white	151.8 x 80.7	System 55	56391210
<b>FR-S55 3</b>	Triple-type frame, Standard 55, white	223.3 x 80.7	System 55	56391310
<b>FR-E2W 1</b>	Single-type frame, E2 55, white	80.8 x 80.8	System 55	56392110
<b>FR-E2W 2</b>	Double-type frame, E2 55, white	151.9 x 80.8	System 55	56392210
<b>FR-E2W 3</b>	Triple-type frame, E2 55, white	223.4 x 80.8	System 55	56392310
<b>FR-E2S 1</b>	Single-type frame, E2 55, silver	80.8 x 80.8	System 55	56392101
<b>FR-E2S 2</b>	Double-type frame, E2 55, silver	151.9 x 80.8	System 55	56392201
<b>FR-E2S 3</b>	Triple-type frame, E2 55, silver	223.4 x 80.8	System 55	56392301
<b>FR-E2A 1</b>	Single-type frame, E2 55, anthracite	80.8 x 80.8	System 55	56392115
<b>FR-E2A 2</b>	Double-type frame, E2 55, anthracite	151.9 x 80.8	System 55	56392215
<b>FR-E2A 3</b>	Triple-type frame, E2 55, anthracite	223.4 x 80.8	System 55	56392315

Please see STA price list for further frames and versions.

Designation	Specification	All dimensions in mm (W x H x D)	Installation system	Order No.
<b>System 55 Boxes for surface-mounting for Standard 55 frames</b>				
<b>ST-AP 55-1*</b>	Single-type frame, pure white, RAL 9010	81.0 x 52.5 x 44.5	System 55	515853332
<b>ST-AP 55-2*</b>	Double-type frame, pure white, RAL 9010	152.0 x 81.0 x 44.5	System 55	515863332
<b>ST-AP 55-3*</b>	Triple-type frame, pure white RAL 9010	224.0 x 81.0 x 44.5	System 55	515873332
<b>Box for surface-mounting</b>	For mechanical program switch PG-FST2 with Euro profile half-cylinder		Deutsche Solenoid	
	Single-type frame, white	100 x 80 x 65		19142201170

\* no illustration

## Automatic Division worldwide

**DORMA GmbH + Co. KG**  
**DORMA Platz 1**  
**D-58256 Ennepetal**  
**Phone +49 23 33/793-0**  
**Fax +49 23 33/793-495**

### Region Australasia

AUS, NZ  
 Australia  
 DORMA Automatics Pty. Ltd.  
 Phone +61 3 97964111  
 www.dorma.com.au  
 New Zealand  
 DORMA Automatics Pty. Ltd.  
 Phone +61 3 97964111  
 www.dorma.com.au

### Region Central Europe

D, NL, B, LX, CH  
 Germany  
 Automatic D  
 Phone +49 2333 793-0  
 www.dorma.de  
 Netherlands  
 DORMA van Duin Nederland BV  
 Phone +31 488 418 100  
 www.dorma.nl  
 Belgium  
 DORMA foquin N.V./S.A.  
 Phone +32 50 312849  
 www.dorma.be  
 Luxembourg  
 Luxembourg Subsidiary Automatic  
 Phone +49 2333 793-216  
 www.dorma.de

Switzerland  
 DORMA Schweiz AG  
 Phone +41 71 8864646  
 www.dorma.ch

### Region Emerging Markets

P, RUS, UA, BG, GR, TR, IND, IL, RSA  
 Poland  
 DORMA Polska Sp. z o.o.  
 Phone +48 22 736-59-00  
 www.dorma.pl  
 Russia  
 Representative Office in Russia  
 Phone +7 095 2581225  
 www.dorma.com  
 Ukraine  
 DORMA Representation Ukraine  
 Phone +380 44 2443897  
 www.dorma.com  
 Bulgaria  
 DORMA Bulgaria  
 Phone +359 2 9714 904  
 www.dorma.com  
 Greece  
 DORMA Representation Greece  
 Phone: +30 21 09944388  
 www.dorma.com

Turkey  
 DORMA Kapi Kontrolleri Ltd. Sti  
 Phone: +90 216 3600056  
 www.dorma.com

India  
 DORMA Door Controls India  
 Phone +91 442 8585097  
 www.dorma.com

Israel  
 DORMA GmbH + Co. KG  
 Phone +49 2333 793-0  
 www.dorma.com

South Africa  
 DORMA Door Controls (Pty.) Ltd  
 Phone +27 11 8300280  
 www.dorma.com

### Region Far East

SGP, HK, VRC, RC, MAL, RI, RP, ROK, VN, J  
 Singapore  
 DORMA Far East Pte. Ltd.  
 No. 31 Gul Lane  
 Phone +65 62 68 76 33  
 www.dorma.com.sg

Hong Kong  
 DORMA Door Controls Pte. Ltd.  
 Phone +852 25034632  
 www.dorma.com.sg

China  
 DORMA Door Controls (Suzhou)  
 Co. Ltd.  
 Phone +86 512 676 12481  
 www.dorma.com.sg

Taiwan  
 DORMA Door Controls Pte. Ltd.  
 Phone +886 2 9182987  
 www.dorma.com.sg

Malaysia  
 DORMA Emerald Entrance Systems  
 Pte Ltd  
 Phone +65 459 5733  
 www.dorma.com.sg

Indonesia  
 DORMA Emerald Entrance Systems  
 Pte Ltd  
 Phone +65 459 5733  
 www.dorma.com.sg

South Korea  
 DORMA Emerald Entrance Systems  
 Pte Ltd  
 Phone +65 459 5733  
 www.dorma.com.sg

Philippines  
 DORMA Door Controls Pte. Ltd.  
 Phone +632 893 40778  
 www.dorma.com.sg

Vietnam  
 DORMA Emerald Entrance Systems  
 Pte Ltd  
 Phone +65 459 5733  
 www.dorma.com.sg

Japan  
 DORMA Emerald Entrance Systems  
 Pte Ltd  
 Phone +65 459 5733  
 www.dorma.com.sg

### Region France

F  
 France  
 DORMA Accueil S. A. S.  
 Phone +33 4 79348924  
 www.dorma.fr

### Region Gulf

Saudi Arabia, Bahrain, Kuwait, Egypt, Syria, Jordan, Lebanon, Iran  
 DORMA ARABIA  
 Automatic Doors Ltd.  
 Kingdom of Saudi Arabia  
 Phone +966 3 847 2394  
 www.dorma.com  
 United Arab Emirates, Oman, Qatar  
 DORMA Middle East LLC  
 Dubai  
 Phone +971 4 282 4424  
 www.dorma.com

### Region North America

USA, CDN, MEX  
 USA  
 DORMA Automatics Inc.  
 Phone +1 301 390-3600  
 www.dorma-usa.com  
 Canada  
 DORMA Door Controls  
 Phone +1 905 6701281  
 www.dorma.com

Mexico  
 DORMA México, S. de R.L. de C.V.  
 Phone +52 55 5272 6937  
 www.dorma.com

### Region Scanbalt

N, S, DK, FIN, LV, EST, LT  
 Norway  
 DORMA Norge A/S  
 Phone +47 23 176800  
 www.dorma.no  
 Sweden  
 DORMA Sverige AB  
 Phone +46 31 289520  
 www.dorma.se

Denmark  
 DORMA Danmark A/S  
 Phone +45 44 543000  
 www.dorma.dk

Finland  
 DORMA Finland Oy  
 Phone +358 9 8789130  
 www.dorma.fi

Latvia  
 DORMA Finland Oy  
 Phone +358 9 8789130  
 www.dorma.fi

Estonia  
 DORMA Representation Estonia  
 Phone +372 6707064  
 www.dorma.com

Lithuania  
 DORMA Norge AS  
 Phone +47 23 176800  
 www.dorma.com

### Region South America

BR, RA  
 Brazil  
 DORMA Sistemas de Controles  
 Phone +55 11 41913244  
 www.dorma.com.br  
 Argentina  
 DORMA Sistemas de Controles para Portas Ltda  
 Phone +54 11 45051032  
 www.dorma.com

### Region South-East Europe

A, H, CZ, CS, HR, SLO, RO  
 Austria  
 DORMA AKS Automatic GmbH  
 Phone +43 6225 8636-0  
 www.dorma.at  
 Hungary  
 DORMA AKS Automatic GmbH  
 Phone +36 1 2065127 or 2058058  
 www.dorma.com  
 Czech Republic  
 DORMA dverní technika CR, s.r.o.  
 Phone +420 2 671321-78 or -79  
 www.dorma.com  
 Slovakia  
 DORMA Slovensko spol. s.r.o.  
 Phone +421 2 50221 283  
 www.dorma.com  
 Croatia  
 DORMA URED  
 Phone +385 1 3498 422  
 www.dorma.com  
 Slovenia  
 DORMA Representation Slovenia  
 Phone +386 2 5 30 20 10  
 www.dorma.com  
 Romania  
 DORMA Romania S.R.L.  
 Phone +40 31 806 91 60  
 www.dorma.com

### Region South Europe

I, E, P  
 Italy  
 DORMA Italiana S.r.l.  
 Phone: +39 039 244031  
 www.dorma.it  
 Spain  
 DORMA Ibérica, S.A.  
 Phone +34 91 8757851  
 www.dorma.es  
 Portugal  
 DORMA Portugal para Portas, Lda.  
 Phone +351 252 860 490  
 www.dorma.com

### Region UK/Ireland

GB, IRL  
 Great Britain  
 DORMA UK Limited  
 Phone +44 1462 477600  
 www.dorma-uk.co.uk  
 Ireland  
 DORMA Ireland Limited  
 Phone +353 1 295 8280  
 www.dorma.com

[www.dorma.com](http://www.dorma.com)



Door Control



Automatic



Glass Fittings and Accessories



Security/Time and Access (STA)



Movable Walls