

## DORMA Studio-Rondo

DORMA Studio-Rondo has a charm and neatness in its simple, uncluttered lines that serves to enhance the inherent beauty and character of toughened glass doors.

The extensive range of colours offers scope for the imagination.

### Door dimensions

- Glass thickness:  
8 mm
- Door weight:  
max. 45 kg
- Door width:  
max. 1000 mm
- Standard frame depth:  
24 mm

### Materials and finishes

#### Aluminium, anodised

- Silver, LM EV1, CO (101)
- New silver, LM EV2 (102)
- Similar to stainless steel, satin (107)
- Dark bronze, LM DB14, MC1003, C34 (108)
- Gold-bronze (110)
- Brass, LM EV3 (105)
- Special anodised finish, SE (199)

#### Aluminium, coated

- White, RAL 9016 (300)
- Grey (303)
- Black (304)
- Brown (305)
- Red (306)
- Wine-red (307)
- Dark blue (313)
- Special colour finishes, SF (399)

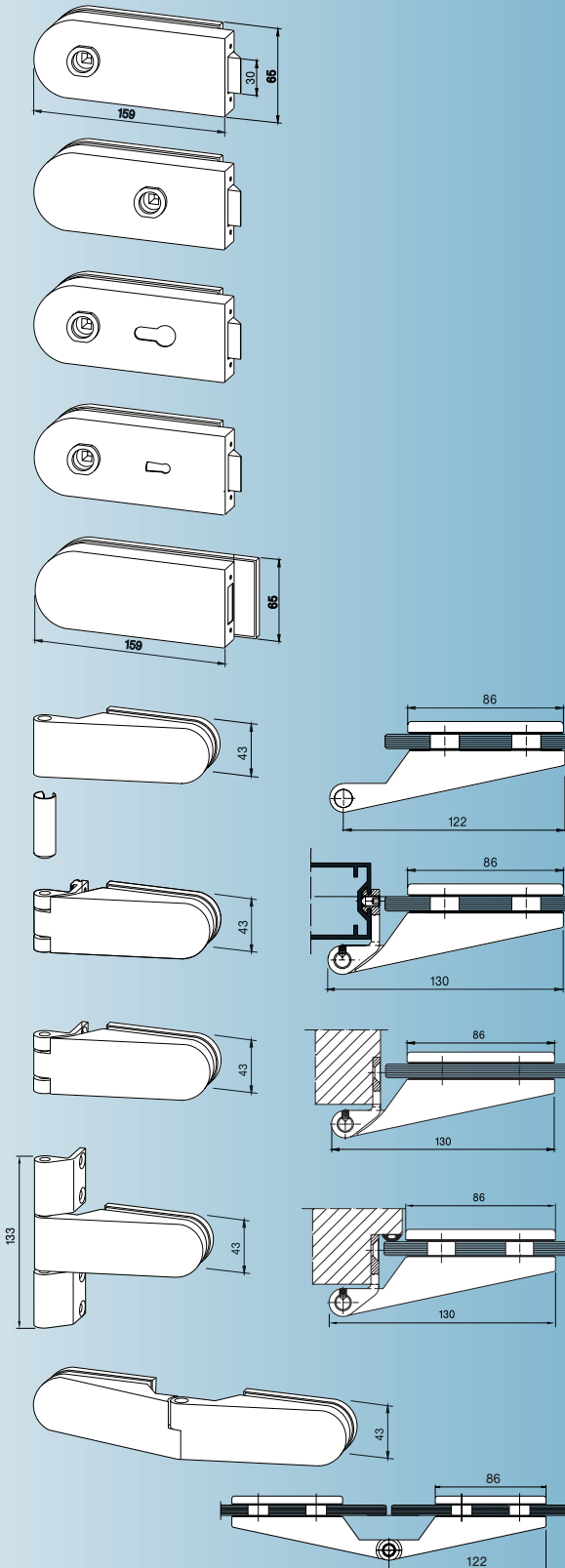
#### Brass

- Polished, coated (502)
- Polished chrome (501)

 STUDRON



**DORMA Studio-Rondo**



Locks and latches	With lever guide	For levers with roses
Non-locking	<b>10.200</b>	<b>10.210</b>
For lever front, non-locking	<b>10.201</b>	<b>10.211</b>
Prepared for Europrofile cylinder, with night latch function	<b>10.202</b>	<b>10.112</b>
Warded lever lock with night latch function, 2 keys	<b>10.203</b>	<b>10.113</b>
Strike box for double doors	<b>10.220</b>	<b>10.220</b>
<b>Hinges</b>	<b>Glass thickness 8 mm/10 mm</b>	
For frame pivots with sleeve	<b>10.230/10.236</b>	
With frame pivot for aluminium frame	<b>10.231/10.237</b> max. 35 kg door weight	
With blade for timber frame	<b>10.232/10.238</b> max. 35 kg door weight	
Strengthened, with blade for timber frame and 2 hinge flaps	<b>10.235/10.239</b>	
For fixing to glass side panels	<b>10.244*/10.245*</b> <b>10.246**/10.247**</b>	
*LH, **RH		
<b>Levers and frame pivots, Page 3.10</b>		