

Via Industriale, 4/b - 25080 Muscoline (Bs) Italy
Tel. +39 0365 373790 - Fax +39 0365 371811
www.comaglio.it



il paraspifferi comax een valdorpel die tuerdichtung el cortavientos les plinthes the draughtstopper



G E N E R A L C A T A L O G U E 2 0 0 7



Comaglio®



During the last 30 years, we have maintained all the characteristics which have distinguished us since the start of our company, and have at the same time pushed us to improve our automatic door bottom seals : the detailed quality of the product , the attention given to customer care, rapid responses to varying market demand and continuous growth. We are a company that has conserved its artisanal mind and the family management has remained unchanged in its third generation.

This catalogue celebrates its third edition and while it represents an important milestone, it also is the starting point for a new initiative to pursue our continued search for perfection and an ongoing commitment to product excellence.

INDEX

PRESSURE Series 1712 1772 1700MINI 1770MINI 1812 1830 1770ACU 1370	PAGE 04
CHEAP Series 422 472 420MINI 470MINI 512 540 470ACU 475	PAGE 06
SPECIAL Series AE 110 170/12 170/15 970 920 270 220	PAGE 08
NO SOUND Series 1770NS 1800NS 1370NS ISOLA	PAGE 10
COMAX Series 1750 1450 1250 1050	PAGE 11
Instructions for Draught Stopper	PAGE 12
Instructions for Comax	PAGE 13
Examples of Application	PAGE 14
Accessories, Displays and Packaging	PAGE 15



PRESSURE Series

PROTECT YOUR ENVIRONMENT FROM DRAUGHTS
The Comaglio Automatic draught stoppers are removable and patented.

1712 | 1772 | 1700MINI | 1770MINI | 1812 | 1830 | 1770ACU | 1370

The Pressure Series is characterised by the Comaglio twin adjusting mechanism. It is a patented mechanism designed to perfectly close the gap between doors and floors. The downward pressure applied by the seal to the floor is equal across the full width of the door. This is essential for optimal sealing in normal conditions and particularly important in more difficult situations such as uneven floors, tiling etc...

The presence of this icon means that the product is suitable for fire stop doors.



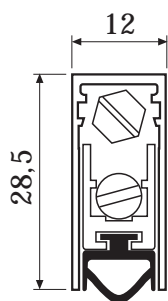
The presence of this icon means that the product is suitable for doors with sound insulation.



1712



DOORS IN: STEEL WOOD PVC



Components:

- Comaglio double-adjusting mechanism
- Fixed "U" shaped profile large 12 mm.
- Moving profile extractable
- Brass hexagonal push button
- 2nd adjusting screw in brass
- 2 steel return springs
- EPDM seal

Options:

- Fixed "U" shaped profile large 12,5 mm. (art.1700)
- Nylon push button (round or rectangular)
- Black brush 48x1100
- Self-extinguishing ISOLA silicon seal
- Special end for PVC door frames

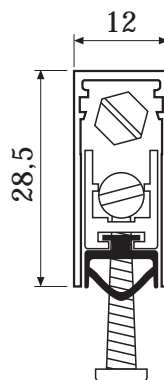
Standard lengths cm:

43 Can be cut shorter by: cm.9

53 63 73 83 93 103 113 123 133 Can be cut shorter by: cm.10

1772

DOORS IN: STEEL WOOD PVC



Components:

- Comaglio double-adjusting mechanism
- Fixed "U" shaped profile large 12 mm.
- Moving profile extractable
- Brass hexagonal push button
- 2nd adjusting screw in brass
- 2 steel return springs
- 2 self-drilling pre-fitted screws
- EPDM seal

Options:

- Fixed "U" shaped profile large 12,5 mm. (art.1770)
- Nylon push button (round or rectangular)
- 2 self-tapping pre-fitted screws
- Black brush 48x1100
- Special end for PVC door frames

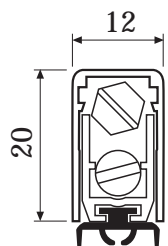
Standard lengths cm:

43 Can be cut shorter by: cm.7

53 63 73 83 93 103 113 123 133 Can be cut shorter by: cm.10

1700MINI

DOORS IN: STEEL WOOD ALUMINIUM



Components:

- Comaglio double-adjusting mechanism
- Fixed "U" shaped profile large 12 mm.
- Moving profile extractable
- Brass hexagonal push button
- 2nd adjusting screw in brass
- 2 steel return springs
- EPDM seal with 4 pressure points

Options:

- Nylon push button (round or rectangular)
- Black brush 48x600

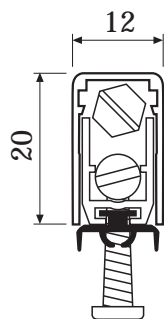
Standard lengths cm:

43 Can be cut shorter by: cm.9

53 63 73 83 93 103 113 123 133 Can be cut shorter by: cm.10

1770MINI

DOORS IN: STEEL WOOD ALUMINIUM



Components:

- Comaglio double-adjusting mechanism
- Fixed "U" shaped profile large 12 mm.
- Moving profile extractable
- Brass hexagonal push button
- 2nd adjusting screw in brass
- 2 steel return springs
- 2 self-drilling pre-fitted screws
- EPDM seal with 4 pressure points

Options:

- Nylon push button (round or rectangular)
- 2 self-tapping pre-fitted screws
- Black brush 48x600

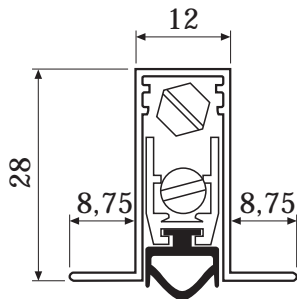
Standard lengths cm:

43 Can be cut shorter by: cm.7

53 63 73 83 93 103 113 123 133 Can be cut shorter by: cm.10

1812

DOORS IN: STEEL WOOD



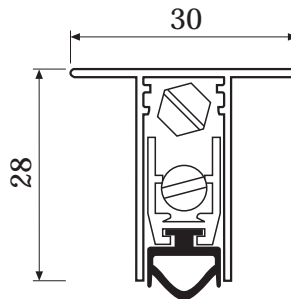
- Components:
- Comaglio double-adjusting mechanism
 - Fixed "Omega" shaped profile large 12 mm.
 - Moving profile extractable
 - Brass hexagonal push button
 - 2nd adjusting screw in brass
 - 2 steel return springs
 - EPDM seal

- Options:
- Nylon push button (round or rectangular)
 - Black brush 48x1100
 - Self-extinguishing ISOLA silicon seal

Standard lengths cm:											
43	Can be cut shorter by: cm.12										
53	63	73	83	93	103	113	123	133	Can be cut shorter by: cm.10		

1830

DOORS IN: STEEL



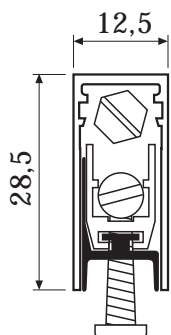
- Components:
- Comaglio double-adjusting mechanism
 - Fixed "T" shaped profile
 - Moving profile extractable
 - Brass hexagonal push button
 - 2nd adjusting screw in brass
 - 2 steel return springs
 - EPDM seal

- Options:
- Nylon push button (round or rectangular)
 - Black brush 48x1100
 - Self-extinguishing ISOLA silicon seal

Standard lengths cm:											
43	Can be cut shorter by: cm.12										
53	63	73	83	93	103	113	123	133	Can be cut shorter by: cm.10		

1770ACU

DOORS IN: STEEL WOOD



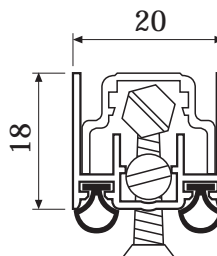
- Components:
- Comaglio double-adjusting mechanism
 - Fixed "U" shaped profile large 12,5 mm.
 - Moving profile extractable
 - Brass hexagonal push button
 - 2nd adjusting screw in brass
 - 2 steel return springs
 - 2 self-drilling pre-fitted screws
 - Self-extinguishing silicon seal

- Options:
- Nylon push button (round or rectangular)
 - 2 self-tapping pre-fitted screws

Standard lengths cm:											
43	Can be cut shorter by: cm.7										
53	63	73	83	93	103	113	123	133	Can be cut shorter by: cm.10		

1370

DOORS IN: ALUMINIUM



- Components:
- Comaglio double-adjusting mechanism
 - Fixed profile inside moving profile
 - Moving profile extractable
 - Brass hexagonal push button
 - 2nd adjusting screw in brass
 - 2 steel return springs
 - 2 self-drilling pre-fitted screws
 - 2 neoprene seals

- Options:
- Nylon push button (round or rectangular)

Standard lengths cm:											
43	Can be cut shorter by: cm.7										
53	63	73	83	93	103	113	123	133	Can be cut shorter by: cm.10		



Ask technical informations about sound insulation of our draught stoppers: we can give you useful suggestions for increase acoustic performances of your door.



PRESSURESerie

- Instructions page 12
- Examples of application page 14
- Accessories page 15
- Packaging page 15

CHEAP Serie

PROTECT YOUR ENVIRONMENT FROM DRAUGHTS
The Comaglio Automatic draught stoppers are removable and patented.

422 I 472 I 420MINI I 470MINI I 512 I 540 I 470ACU I 475

The CHEAP series offers a new third generation tilting mechanism. It works by branching off the double adjusting mechanism of the Pressure Series, since it moves the active function of the floor closing springs (which are limited now to a passive return function) to 2 stiff levers that guarantee complete control of the moving profile.

The presence of this icon means that the product is suitable for fire stop doors.



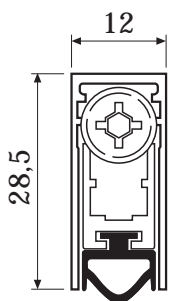
The presence of this icon means that the product is suitable for doors with sound insulation.



422



DOORS IN: STEEL WOOD PVC



Components:

- Comaglio new balancing mechanism
- Fixed "U" shaped profile large 12 mm.
- Moving profile extractable
- Round nylon push button
- 2 steel return springs
- EPDM seal

Options:

- Fixed "U" shaped profile large 12.5 mm. (art.420)
- Brass hexagonal push button
- Rectangular nylon push button
- Black brush 48x1100
- Self-extinguishing ISOLA silicon seal
- Special end for PVC door frames

Standard lengths cm:

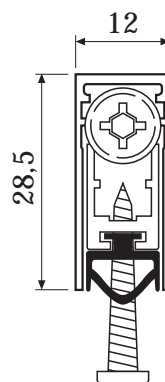
33 Can be cut shorter by: cm.7

43 Can be cut shorter by: cm.13

63 83 103 123 133 Can be cut shorter by: cm.20

472

DOORS IN: STEEL WOOD PVC



Components:

- Comaglio new balancing mechanism
- Fixed "U" shaped profile large 12 mm.
- Moving profile extractable
- Round nylon push button
- 2 steel return springs
- 2 self-drilling pre-fitted screws
- EPDM seal

Options:

- Fixed "U" shaped profile large 12.5 mm. (art.470)
- Brass hexagonal push button
- Rectangular nylon push button
- 2 self-tapping pre-fitted screws
- Black brush 48x1100
- Special end for PVC door frames

Standard lengths cm:

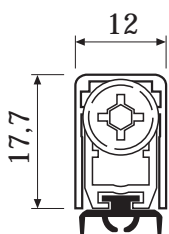
33 Can be cut shorter by: cm.7

43 Can be cut shorter by: cm.13

63 83 103 123 133 Can be cut shorter by: cm.20

420MINI

DOORS IN: STEEL WOOD ALUMINIUM



Components:

- Comaglio new balancing mechanism
- Fixed "U" shaped profile large 12 mm.
- Moving profile extractable
- Round nylon push button
- 2 steel return springs
- EPDM seal with 4 pressure points

Options:

- Brass hexagonal push button
- Rectangular nylon push button
- Black brush 48x600

Standard lengths cm:

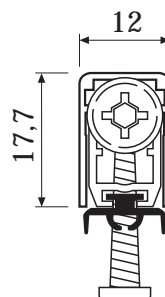
33 Can be cut shorter by: cm.7

43 Can be cut shorter by: cm.13

63 83 103 123 133 Can be cut shorter by: cm.20

470MINI

DOORS IN: STEEL WOOD ALUMINIUM



Components:

- Comaglio new balancing mechanism
- Fixed "U" shaped profile large 12 mm.
- Moving profile extractable
- Round nylon push button
- 2 steel return springs
- 2 self-drilling pre-fitted screws
- EPDM seal with 4 pressure points

Options:

- Brass hexagonal push button
- Rectangular nylon push button
- 2 self-tapping pre-fitted screws
- Black brush 48x600

Standard lengths cm:

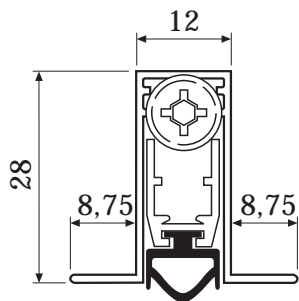
33 Can be cut shorter by: cm.7

43 Can be cut shorter by: cm.13

63 83 103 123 133 Can be cut shorter by: cm.20

512

DOORS IN: STEEL WOOD

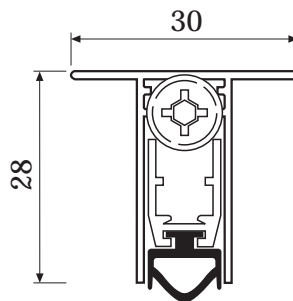


- Components:
- Comaglio new balancing mechanism
 - Fixed "Omega" shaped profile large 12 mm.
 - Moving profile extractable
 - Round nylon push button
 - 2 steel return springs
 - EPDM seal
- Options:
- Brass hexagonal push button
 - Rectangular nylon push button
 - Black brush 48x1100
 - Self-extinguishing ISOLA silicon seal

Standard lengths cm:
33 Can be cut shorter by: cm.7
43 Can be cut shorter by: cm.13
63 83 103 123 133 Can be cut shorter by: cm.20

540

DOORS IN: STEEL

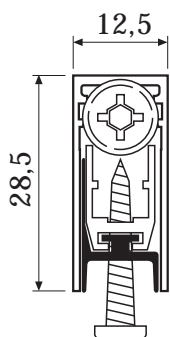


- Components:
- Comaglio new balancing mechanism
 - Fixed "T" shaped profile
 - Moving profile extractable
 - Round nylon push button
 - 2 steel return springs
 - EPDM seal
- Options:
- Brass hexagonal push button
 - Rectangular nylon push button
 - Black brush 48x1100
 - Self-extinguishing ISOLA silicon seal

Standard lengths cm:
33 Can be cut shorter by: cm.7
43 Can be cut shorter by: cm.13
63 83 103 123 133 Can be cut shorter by: cm.20

470ACU

DOORS IN: STEEL WOOD

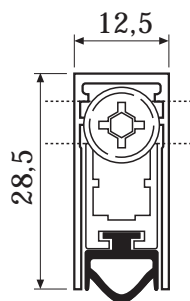


- Components:
- Comaglio new balancing mechanism
 - Fixed "U" shaped profile large 12.5 mm.
 - Moving profile extractable
 - Round nylon push button
 - 2 steel return springs
 - 2 self-drilling pre-fitted screws
 - Self-extinguishing silicon seal
- Options:
- Brass hexagonal push button
 - Rectangular nylon push button
 - 2 self-tapping pre-fitted screws

Standard lengths cm:
33 Can be cut shorter by: cm.7
43 Can be cut shorter by: cm.13
63 83 103 123 133 Can be cut shorter by: cm.20

475

DOORS IN: STEEL



- Components:
- Comaglio new balancing mechanism
 - Fixed "U" shaped profile large 12.5 mm. with lateral fixation
 - Moving profile extractable
 - Round nylon push button
 - 2 steel return springs
 - EPDM seal
- Options:
- Brass hexagonal push button
 - Rectangular nylon push button
 - Black brush 48x1100
 - Self-extinguishing ISOLA silicon seal

Standard lengths cm:
33 Can be cut shorter by: cm.7
43 Can be cut shorter by: cm.13
63 83 103 123 133 Can be cut shorter by: cm.20



Ask technical informations about sound insulation of our draught stoppers: we can give you useful suggestions for increase acoustic performances of your door.

CHEAPSerie

Instructions page 12

Examples of application page 14

Accessories page 15

Packaging page 15



SPECIAL Serie

PROTECT YOUR ENVIRONMENT FROM DRAUGHTS
The Comaglio Automatic draught stoppers are removable and patented.

AE | 110 | 170/12 | 170/15 | 970 | 920 | 270 | 220

The Special Series is designed for fixing to aluminium frames, where the small size of the seal is of major importance. It is therefore possible to find within this range, a number of products well adapted to most aluminium applications. The item ref AE, new in 2006, has been added to comply with new European regulations whilst guaranteeing a speedy installation and a perfect seal to the floor.

The presence of this icon means that the product is suitable for fire stop doors.

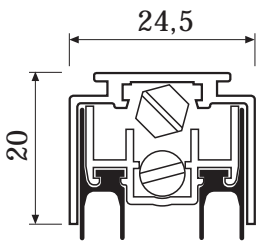


The presence of this icon means that the product is suitable for doors with sound insulation.



AE

DOORS IN: ALUMINIUM



Components:
-Comaglio double-adjusting mechanism
-Seal designed to suit standard «Euro-groove» of aluminium door profiles (see page 14)
-Moving profile extractable
-Brass hexagonal push button
-2nd adjusting screw in brass
-2 steel return springs
-2 self-extinguishing silicon seals

Options:
-Nylon push button (round or rectangular)

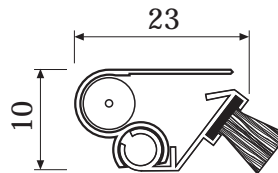
Standard lengths cm:

43 Can be cut shorter by: cm.5,5

53 63 73 83 93 103 113 123 133 Can be cut shorter by: cm.10

110

DOORS IN: ALUMINIUM



Components:
-Fixed profile with minimum clearance (height 10 mm)
-Removable profile with elbow joint
-Round nylon push button
-2 steel return springs
-Black brush 48x1100

Options:
-EPDM seal

Standard lengths cm:

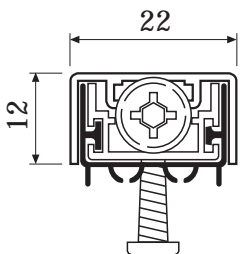
33 Can be cut shorter by: cm.7

43 Can be cut shorter by: cm.15

63 83 103 123 133 Can be cut shorter by: cm.20

170/12

DOORS IN: METAL ALUMINIUM PVC



Components:
-Comaglio new balancing mechanism
-Fixed profile with minimum clearance (height 12 mm)
-Moving profile extractable
-Round nylon push button
-2 steel return springs
-2 self-drilling pre-fitted screws
-Self-extinguishing silicon seal

Options:
-Brass hexagonal push button
-Rectangular nylon push button
-Special end for PVC door frames

Standard lengths cm:

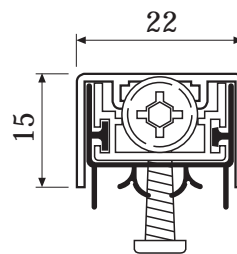
33 Can be cut shorter by: cm.7 without pre-fitted screw

43 Can be cut shorter by: cm.10

53 63 73 83 93 103 113 123 133 Can be cut shorter by: cm.10

170/15

DOORS IN: METAL ALUMINIUM PVC



Components:
-Comaglio new balancing mechanism
-Fixed profile with minimum clearance (height 15 mm)
-Moving profile extractable
-Round nylon push button
-2 steel return springs
-2 self-drilling pre-fitted screws
-Self-extinguishing silicon seal

Options:
-Brass hexagonal push button
-Rectangular nylon push button
-Special end for PVC door frames

Standard lengths cm:

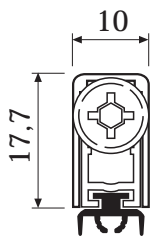
33 Can be cut shorter by: cm.7 without pre-fitted screw

43 Can be cut shorter by: cm.10

53 63 73 83 93 103 113 123 133 Can be cut shorter by: cm.10

920

DOORS IN:  WOOD



Components:
 -Comaglio new balancing mechanism
 -Fixed "U" shaped profile 17.7x10 mm.
 -Moving profile extractable
 -Round nylon push button
 -2 steel return springs
 -EPDM seal with 4 pressure points

Options:
 -Brass hexagonal push button
 -Black brush 48x600

Standard lengths cm:

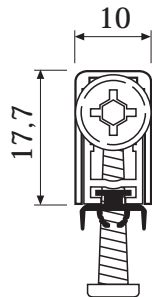
33 Can be cut shorter by: cm.7

43 Can be cut shorter by: cm.10

63 83 103 123 133 Can be cut shorter by: cm.20

970

DOORS IN:  WOOD



Components:
 -Comaglio new balancing mechanism
 -Fixed "U" shaped profile 17.7x10 mm.
 -Moving profile extractable
 -Round nylon push button
 -2 steel return springs
 -2 self-tapping pre-fitted screws
 -EPDM seal with 4 pressure points

Options:
 -Brass hexagonal push button
 -Black brush 48x600

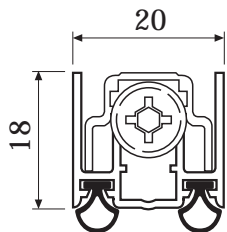
Standard lengths cm:

43 Can be cut shorter by: cm.9

63 83 103 123 133 Can be cut shorter by: cm.20

220

DOORS IN:  ALUMINIUM



Components:
 -Comaglio new balancing mechanism
 -Fixed profile inside moving profile
 -Moving profile extractable
 -Round nylon push button
 -2 steel return springs
 -2 neoprene seals

Options:
 -Brass hexagonal push button

Standard lengths cm:

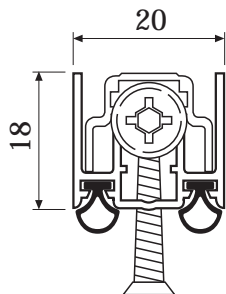
33 Can be cut shorter by: cm.7

43 Can be cut shorter by: cm.13

63 83 103 123 133 Can be cut shorter by: cm.20

270

DOORS IN:  ALUMINIUM



Components:
 -Comaglio new balancing mechanism
 -Fixed profile inside moving profile
 -Moving profile extractable
 -Round nylon push button
 -2 steel return springs
 -2 self-drilling pre-fitted screws
 -2 neoprene seals

Options:
 -Brass hexagonal push button

Standard lengths cm:

33 Can be cut shorter by: cm.7

43 Can be cut shorter by: cm.13

63 83 103 123 133 Can be cut shorter by: cm.20



Ask technical informations about sound insulation of our draught stoppers: we can give you useful suggestions for increase acoustic performances of your door.


Comaglio®

SPECIAL Serie

Instructions page 12

Examples of application page 14

Accessories page 15

Packaging page 15

NO SOUND Serie

PROTECT YOUR ENVIRONMENT FROM DRAUGHTS
The Comaglio Automatic draught stoppers are removable and patented.

1770NS I 1800NS I 1370NS I ISOLA

All No Sound series have successfully passed acoustic testing in a recognised European test laboratory. The Comaglio mechanism with double adjustment, silicone hardware and reinforced profiles guarantees a perfect floor seal and therefore perfect sound insulation. It is possible to fit the this series with a silicon seal which is self-extinguishing and certified for use with on fire doors.

The presence of this icon means that the product is suitable for fire stop doors.

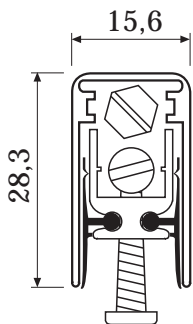


The presence of this icon means that the product is suitable for doors with sound insulation.



1770NS

DOORS IN: STEEL WOOD



Components:

- Comaglio double-adjusting mechanism
- Fixed "U" shaped profile large 15.6 mm.
- Moving profile extractable
- Brass hexagonal push button
- 2nd adjusting screw in brass
- 2 steel return springs
- 2 self-drilling pre-fitted screws
- 2 silicon seals

Options:

- Nylon push button (round or rectangular)
- 2 self-tapping pre-fitted screws
- 2 self-extinguishing silicon seals

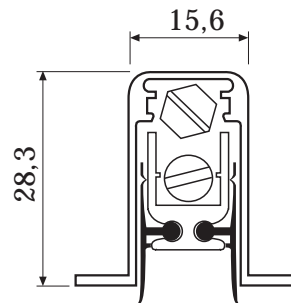
Standard lengths cm:

43 Can be cut shorter by: cm.7

53 63 73 83 93 103 113 123 133 Can be cut shorter by: cm.10

1800NS

DOORS IN: STEEL WOOD



Components:

- Comaglio double-adjusting mechanism
- Fixed "Omega" shaped profile large 15.6 mm.
- Moving profile extractable
- Brass hexagonal push button
- 2nd adjusting screw in brass
- 2 steel return springs
- 2 silicon seals

Options:

- Nylon push button (round or rectangular)
- 2 self-extinguishing silicon seals

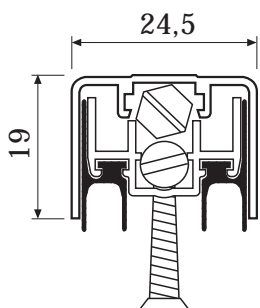
Standard lengths cm:

43 Can be cut shorter by: cm.12

53 63 73 83 93 103 113 123 133 Can be cut shorter by: cm.10

1370NS

DOORS IN: STEEL ALUMINIUM



Components:

- Comaglio double-adjusting mechanism
- Fixed U shaped profile with reduced clearance - (height 19mm)
- Moving profile extractable
- Brass hexagonal push button
- 2nd adjusting screw in brass
- 2 steel return springs
- 2 self-extinguishing silicon seals

Options:

- Nylon push button (round or rectangular)

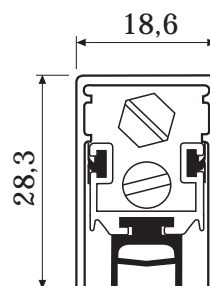
Standard lengths cm:

43 Can be cut shorter by: cm.7

53 63 73 83 93 103 113 123 133 Can be cut shorter by: cm.10

ISOLA

DOORS IN: WOOD



Components:

- Comaglio double-adjusting mechanism with 3 rigid levers
- Fixed "U" shaped profile large 18.6 mm.
- Moving profile extractable
- Brass hexagonal push button
- 2nd adjusting screw in brass
- 2 steel return springs
- 3 silicon seals

Options:

- Nylon push button (round or rectangular)
- Self-extinguishing silicon seal

Standard lengths cm:

43 Can be cut shorter by: cm.12

53 63 73 83 93 103 113 123 133 Can be cut shorter by: cm.10

COMAX Serie

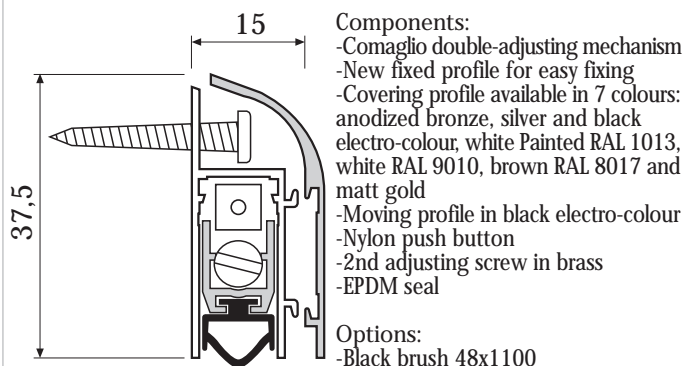
PROTECT YOUR ENVIRONMENT FROM DRAUGHTS
The Comaglio Automatic draught stoppers are removable and patented.

1750 I 1450 I 1250 I 1050

The Comax Serie is designed by Comaglio for the DIY market. This series offers the perfect combination : guaranteed functionality using Comaglio patented mechanisms and detailed attractive design thanks to a removable seal in black metallic finish with a cover plate and matching end-caps available in 7 finishes. Accessories and complete reversibility make this Comax range applicable to all types of doors. For more economical use, Comaglio suggests the item 1250 in brushed or paint finished aluminium and the new item 1050, screwed on or dual adhesive in coloured PVC.

1750

DO IT YOURSELF



Components:
-Comaglio double-adjusting mechanism
-New fixed profile for easy fixing
-Covering profile available in 7 colours: anodized bronze, silver and black electro-colour, white Painted RAL 1013, white RAL 9010, brown RAL 8017 and matt gold
-Moving profile in black electro-colour
-Nylon push button
-2nd adjusting screw in brass
-EPDM seal

Options:
-Black brush 48x1100

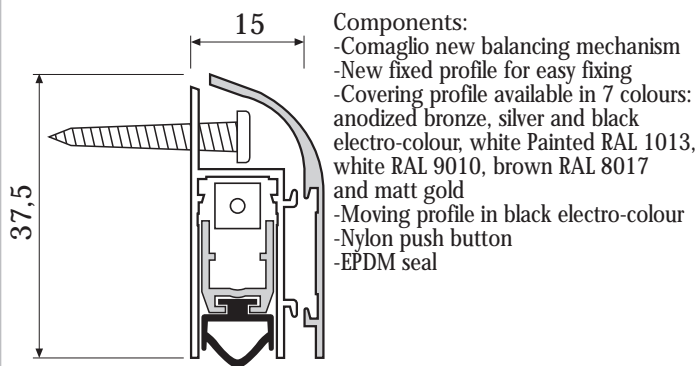
Standard lengths cm:

43 Can be cut shorter by: cm.9

53 63 73 83 93 103 113 123 133 Can be cut shorter by: cm.10

1450

DO IT YOURSELF



Components:
-Comaglio new balancing mechanism
-New fixed profile for easy fixing
-Covering profile available in 7 colours: anodized bronze, silver and black electro-colour, white Painted RAL 1013, white RAL 9010, brown RAL 8017 and matt gold
-Moving profile in black electro-colour
-Nylon push button
-EPDM seal

Standard lengths cm:

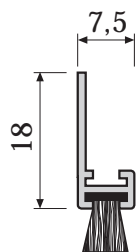
33 Can be cut shorter by: cm.7

43 Can be cut shorter by: cm.13

63 83 103 123 133 Can be cut shorter by: cm.20

1250

DO IT YOURSELF



Components:
-Fixed profile available in 6 colours: anodized bronze, silver and black electro-colour, white Painted RAL 1013, white RAL 9010, brown RAL 8017
-Black brush 48x1100

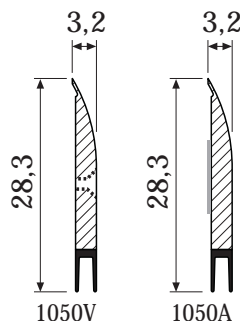
Options:
-EPDM seal

Standard lengths cm:

80 100 120

1050

DO IT YOURSELF



Components:
-PVC fixed profile available in 3 colours: white, brown and black
-Surface fixed with screws or adhesive

Standard lengths cm:

100 120

Instructions

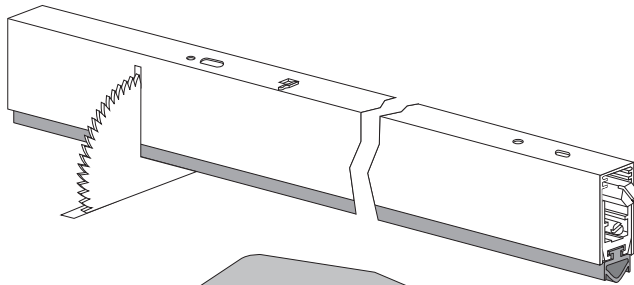


FIG. 1 Application for articles with pre-fitted screws
 • Shorten the draught to the length of the door (fig. 1)

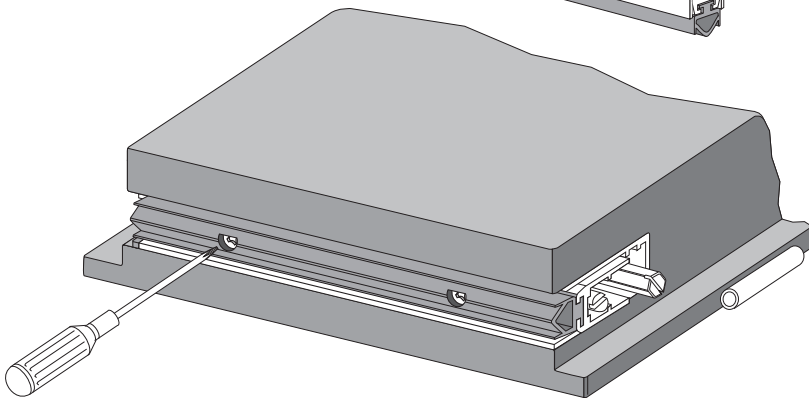


FIG. 2 • Screw the draught stopper to the door (fig. 2).

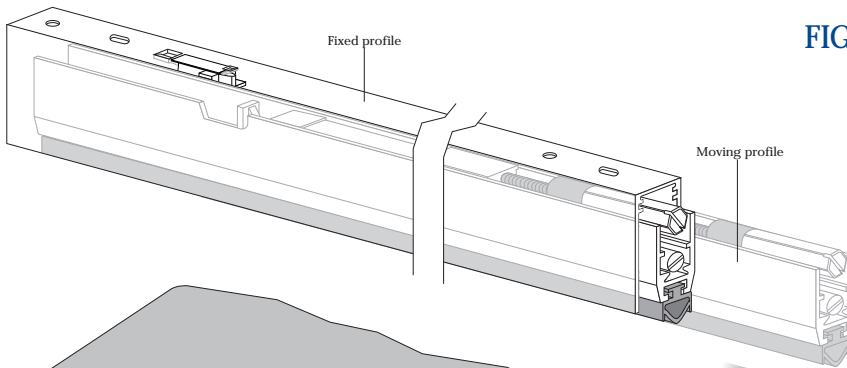


FIG. 3 Standard application
 • Shorten the draught to the length of the door (fig. 1)
 • Remove the moving profile (fig. 4)

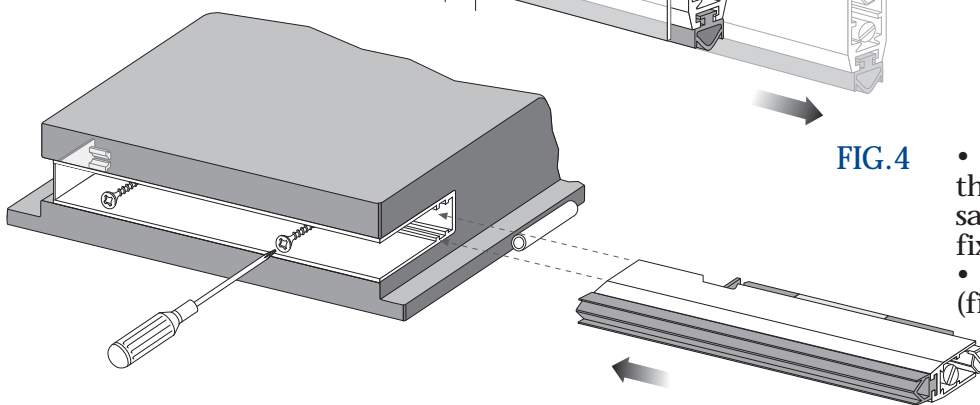


FIG. 4 • Insert the fixed profile into the routing, maintain it on the same level of the door and then fix it.
 • Insert the moving profile (fig. 5).

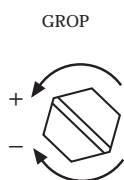


FIG. 5a



FIG. 5b

FIG. 5 Adjust
 • While turning the push button, adjust the floor falling of the moving profile (for all draught stopper) (fig. 5a).
 • While turning the second brass screw, adjust the floor slope of the moving profile (for draught stopper with Comaglio double-adjusting mechanism) (fig. 5b).

Instructions

Comax

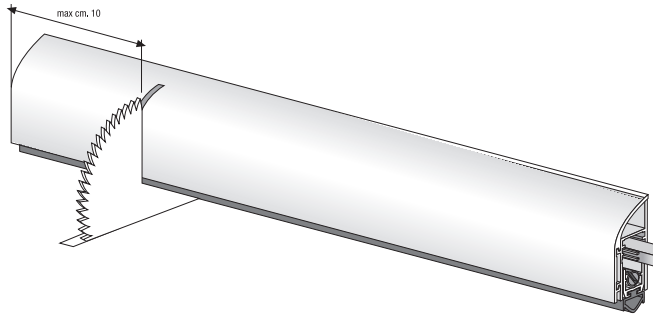


FIG. 1 CUT TO LENGTH
• Shorten the draught to the length of the door (fig. 1)

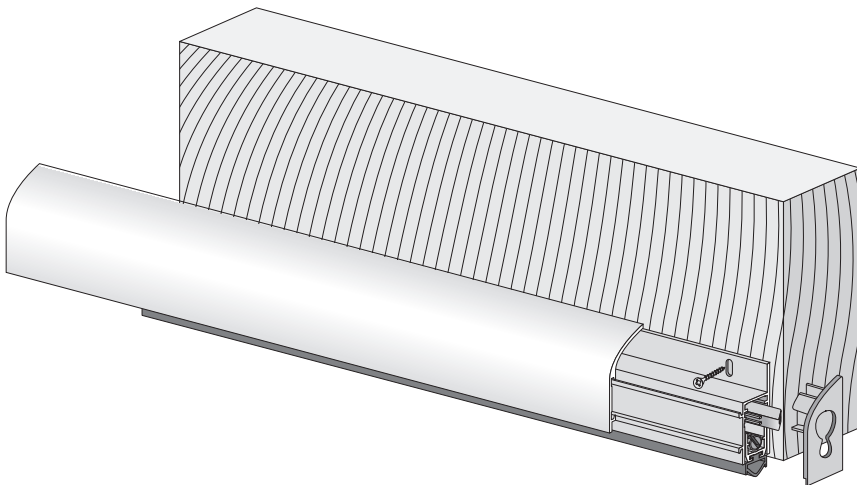


FIG. 2 FIXING
• Screw Comax, insert the aluminium covering profile and then insert the plastic stopper.

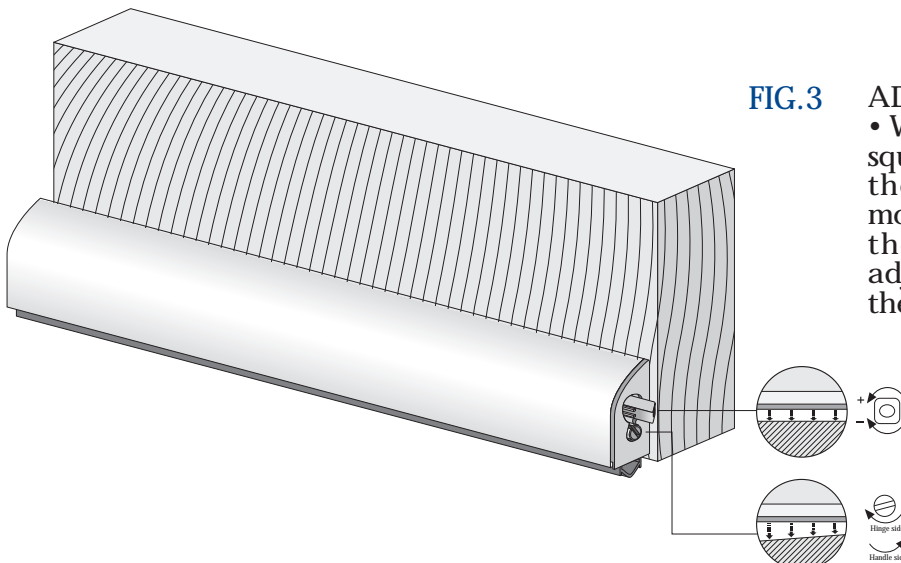
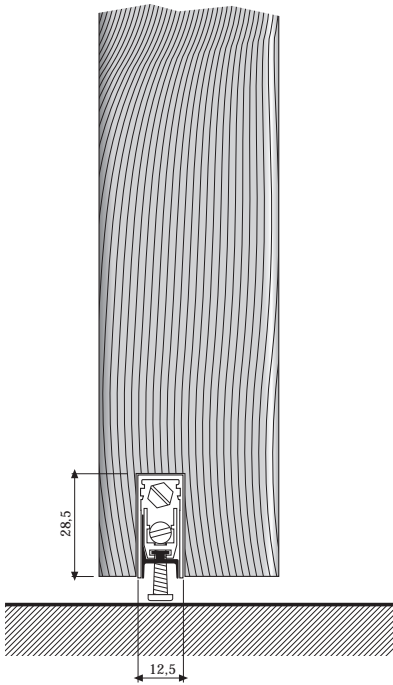
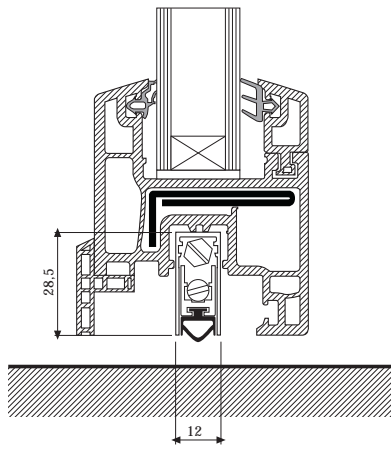


FIG. 3 ADJUSTEMENT
• While turning the brown square push button, adjust the floor falling of the moving profile and turning the second brass screw, adjust the floor slope of the moving profile (fig. 3).

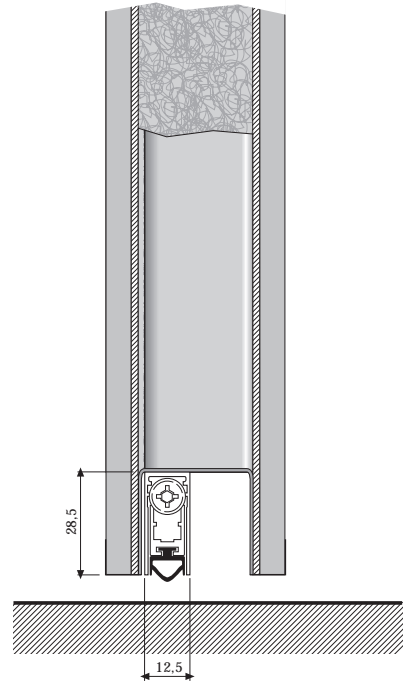
Examples of application



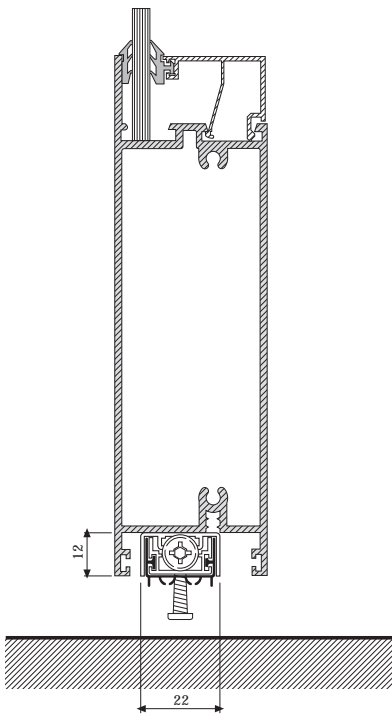
Art. 1770ACU Pressure
Fixed in wood door



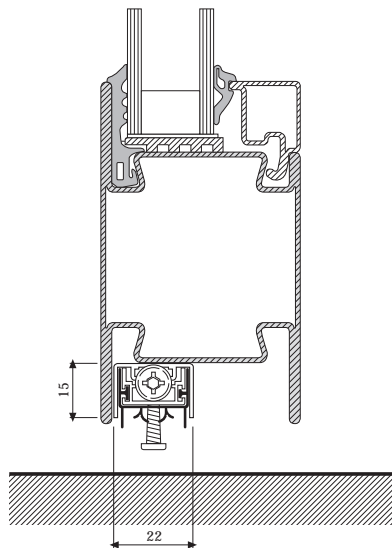
Art. 1712 Pressure
Fixed in PVC door



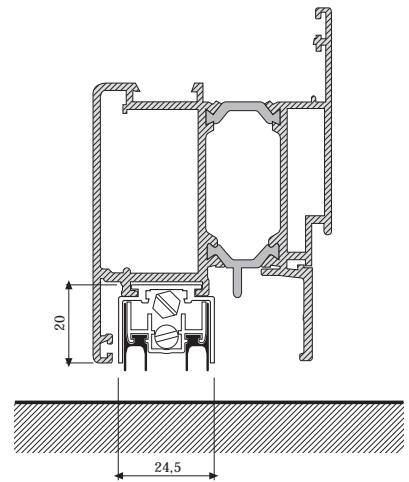
Art. 420 Cheap
Fixed in steel door



Art. 170/12 Special
Fixed in Alu door



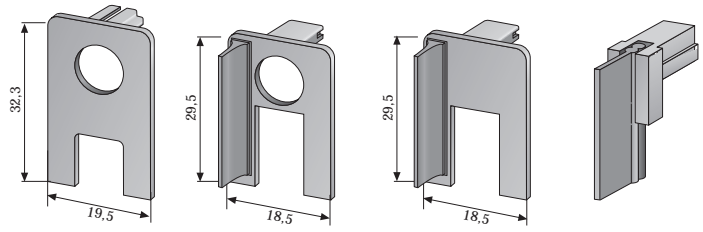
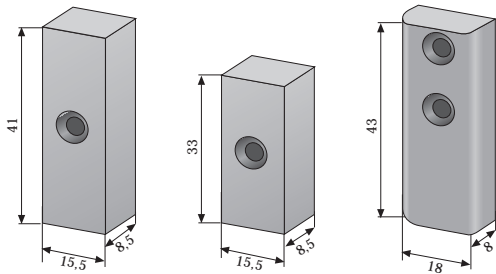
Art. 170/15 Special
Fixed in Alu door



Art. AE Special
Fixed to « Eurogroove »
profiles

Accessories

Plates for wooden doors



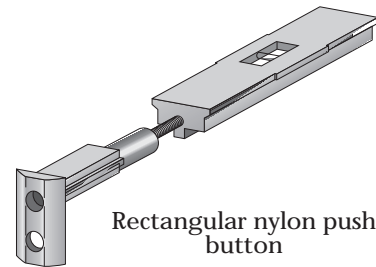
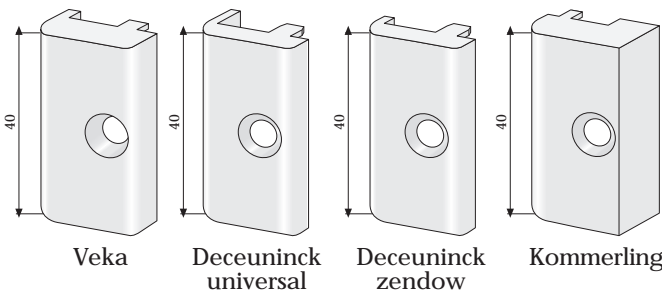
Surface section

Surface section with rubber (hinges side)

Surface section with rubber (handles side)

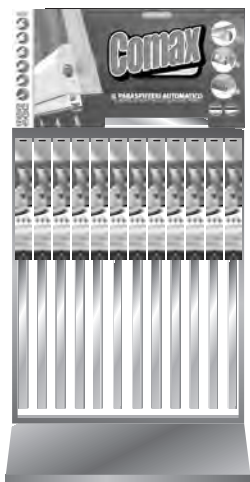
End box with rubber

Plates for PVC doors

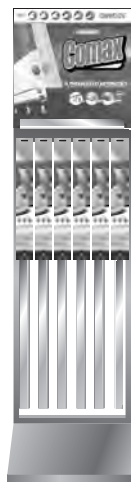


Rectangular nylon push button

Displays



Metal display 100cm wide with 12 hooks (10 items per hook when fully loaded)



Metal display 50cm wide with 6 hooks (10 items per hook when fully loaded)

Packaging

ARTICLE	1700	1712	1770	1772	1700 MINI	1770 MINI	1800	1830	1770 ACU	1370	420	422	470	472	420 MINI	470 MINI	520	540
Standard Packaging	40	40	40	40	50	50	32	32	40	30	40	40	40	40	50	50	32	32
ARTICLE	470 ACU	475	AE	110	170/12	170/15	920	970	220	270	1770 NS	1800 NS	1370 NS	ISOLA	1750	1450	1250	1050
Standard Packaging	40	40	30	60	30	30	50	50	30	30	28	28	25	24	10	10	20	20