



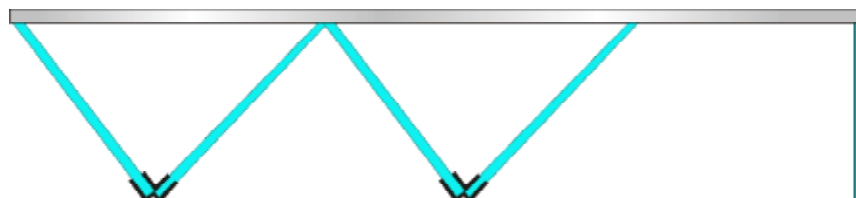
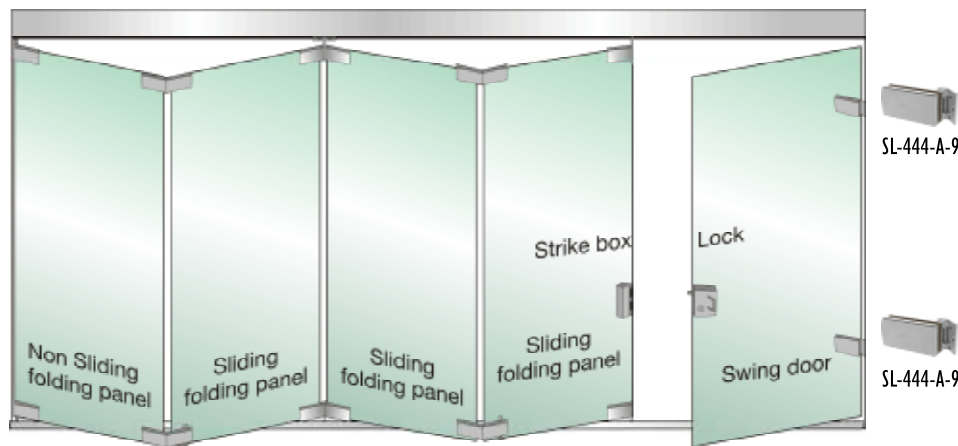
# FRAMELESS GLASS SLIDING FOLDING SYSTEM- 444

GLASSAGE  
SERIES



Sliding Folding System

Sliding Folding Door System can be a very attractive and practical use of space, helping to create a contemporary design in your home and offices. Our well experienced person can recommend what materials and architecture will suit your home & office, ensuring a modern and practical design.



**FRAMELESS GLASS SLIDING  
FOLDING SYSTEM- 444**



**GLASSAGE**  
SERIES



**SL-444-A-10**

**Application**

Sliding Folding Panels Connector With Roller Assembly

**Specifications**

- Secure grip on glasses
- With four friction free rollers
- Rollers with independent bearing for free rolling action
- Ensures soundless operation of the partition
- With Stainless Steel Cover Grade 304
- Cover secured with 'L' key
- Gaskets provided to prevent damage of glass and secure grip
- Finish SSS



**SL-444-A-11**

**Application**

Sliding Folding Panel Top End Fitting

**Specifications**

- Secure grip on glasses
- With four friction free rollers
- Rollers with independent bearing for free rolling action
- Ensures soundless operation of the partition
- With Stainless Steel Cover Grade 304
- Cover secured with 'L' key
- Gaskets provided to prevent damage of glass and secure grip
- Finish SSS



**SL-444-A-12**

**Application**

Sliding Folding Panels Connector With Guide Locator

**Specifications**

- Secure grip with glasses
- With guide locator for free sliding action
- Ensures friction free folding action of the doors
- With Stainless Steel Cover Grade 304
- Cover secured with 'L' key
- Finish SSS



**SL-444-A-13**

**Application**

Sliding Folding Panels Connector With Lock

**Specifications**

- Connects panels at the bottom
- Locking pin provided for locking the panel with floor
- Spring loaded locking pin
- Locking pin can be released by pressing the release knob
- Finish SSS



**SL-444-A-16**

**Application**

Sliding Folding Swing Panel Top Fitting

**Specifications**

- With pivot block
- Designed for perfect seating with top track
- Smooth pivot point for friction less swing action
- With Stainless Steel Cover Plate Grade 304
- Cover plate secured with 'L' key
- Off set pivot point to keep glass panel in line
- Finish SSS

**SL-444-A-17**

**Application**

Sliding Folding Swing Panel Bottom Fitting

**Specifications**

- With pivot pin secured with plastic bushing
- Designed for perfect seating with bottom track
- With Stainless Steel Grade 304 Cover Plate
- Cover plate secured with 'L' key
- Off set pivot point to keep pivot line perfectly vertical
- Finish SSS

**SL-444-A-14**

**Application**

Sliding Folding Panel Bottom End Fitting

**Specifications**

- With guide locator for free sliding action
- Ensures friction free folding action of the doors
- With Stainless Steel Grade 304 Cover Plate
- Cover secured with 'L' key
- Stainless Steel Grade 304

**SL-444-A-6**

**Application**

Sliding Folding Panels Connector

**Specifications**

- Two bolts on each panel for secure grip
- Off set hinge line for minimum gap between panels when folded
- With Stainless Steel Grade 304 Cover Plate
- Cover plate secured with 'L' key
- Gaskets provided to prevent damage of the glass
- Finish SSS

**SL-444-A-9**

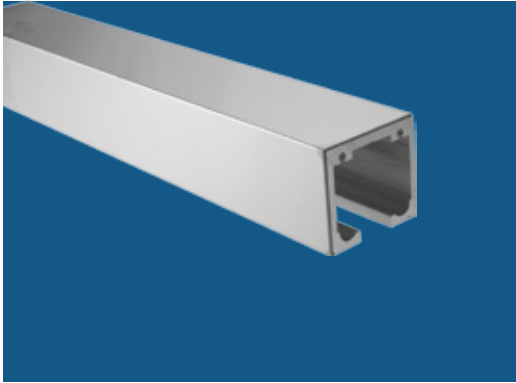
**Application**

Wall To Glass Hinge

**Specifications**

- Hinge suitable for swing door system
- Designed to follow sliding folding system components concept
- With Stainless Steel Grade 304 cover
- Cover secured with 'L' key
- Finish SSS

**FRAMELESS GLASS SLIDING  
FOLDING SYSTEM- 444**

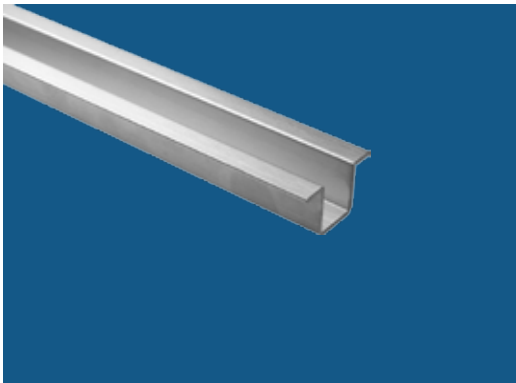


**SL-444-TT**

**Application**  
Top Track

**Specifications**

- Top track for sliding folding door system
- Mounted to the ceiling
- Total height 44 mm
- Total width 47 mm
- Perfect curvature to accommodate rollers
- Aluminium alloy track
- Sturdy and rigid design for smooth working of the system



**SL-444-BT**

**Application**  
Bottom Track For Sliding Folding Doors

**Specifications**

- Bottom track for the sliding folding system
- Aluminium alloy
- Perfect depth and width to allow sliding action for the guide locator
- To be installed to the floor



**SDL-12-A**

**Application**  
Sliding Folding System Strike Box

**Specifications**

- Strike box for SDL-12
- With Fixed pull handle
- Square section design
- Suitable for 10-12 mm glass
- Stainless Steel Grade 304

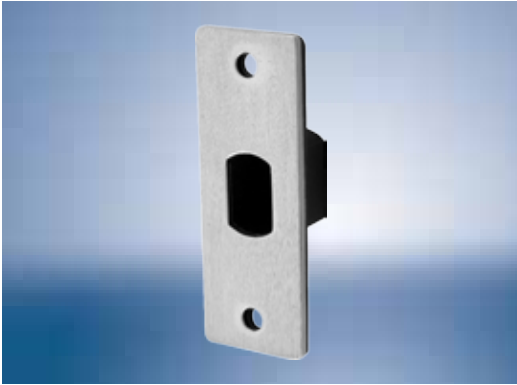


**SDL-12-B**

**Application**  
Sliding Folding System Door Lock

**Specifications**

- Glass door lock with pull handle
- Square section design
- Suitable for glass thickness 10-12 mm
- Supplied with euro profile cylinder and high security keys
- Stainless Steel Grade 304



**SDL-12-C**

**Application**

Sliding Folding System Strike Plate

**Specifications**

- Strike plate for SDL-12 B
- Recommended for wall installation
- Stainless Steel Grade 304



**SDL-13-A**

**Application**

Sliding Folding System Lock

**Specifications**

- Suitable for glass thickness 10-12 mm
- Rounded design at corners
- Supplied with euro profile cylinder and high security keys
- Stainless Steel Grade 304



**SDL-13-B**

**Application**

Sliding Folding System Strike Box

**Specifications**

- Suitable for SDL 13 A
- Suitable for glass thickness 10-12 mm
- Rounded design at corners
- Stainless Steel Grade 304



**SDL-13-C**

**Application**

Sliding Folding System Strike Plate

**Specifications**

- Strike plate suitable for SDL-13 A
- Recommended for wall installation
- Stainless Steel Grade 304